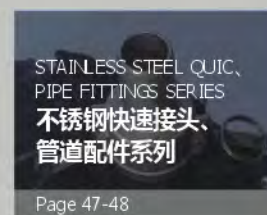
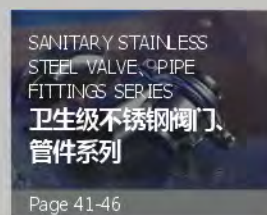
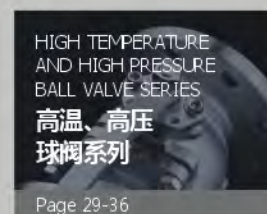
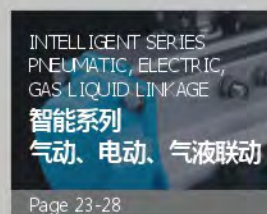


CONTENTS
产品目录



科威纳国际有限公司成立于1999年，专业生产管路流体专用[电磁阀]，自创品牌[科威纳COVNA]行销世界各地，在国际市场与欧、美、日等主要工业国家竞争，品质深受肯定。

目前在二位三通[电磁阀]的领域中，销售遍及全国各地，总经理自从踏入阀门界及管路流体自动化、省力化这个行业，即本著[品质第一，服务第一，信誉第一]三个第一的经营理念，使产品品质跟产量在国际市场与欧、美、日并驾齐驱，价格公道，更有法国、西班牙等国家的医疗器械指定装置[科威纳COVNA]电磁阀，可见品牌已受到各行各业的肯定。

MILESTONES, EPOCH-MAKING.
FLUID INDUSTRIAL SERVICES FOR THE WORLD

前言——里程碑，划时代
为世界流体工业服务

本公司生产之[电磁阀]及[阀门]已经广泛使用于机器自动化设计上，如水位控制、温度控制、冷冻空调、自动填充设备、消防泥水、专业灌溉、水疗按摩(SPA)、蒸气药浴、太阳能热水工程、水处理、环保设备、化工机食品机器等行业。

如果产业界在各式控制阀设计研发有需要，本公司是(ISO-9001)国际品质认证工厂，并通过[]工业安全规范、[CSA]、[UL429]认证，有研发设计部门来为业界服务及解答难题。

DONGGUAN COVNA AUTOMAINDUSTRY CO.,LTD . is COVINA INTERNATIONAL (HK) LIMITED. Was established in 1999, specializing in the production of flow in the pipeline special [solenoid valve], [families, under its own brand name willy COVNA "] marketing all over the world, and in the international market and to Europe, the U.S., Japan and other major industrial countries competition, quality deeply sure

At present in two position twoway valveway valve [solenoid valve] in the field. Export capacity the first in the nation, sales of all over the world, the general manager since Valve industry and stepped into the flow in the pipeline, ShengLiHua this industry automation, namely in the [quality first, service first, reputation first] three first management concept, make the product quality and production in the international market and to Europe, the U.S., Japan with the reasonable price, more France, Spain, and other countries of the world medical devices designated device [families, has COVNA "] electromagnetic valve, visible brand has been sure people from all walks of life.

This company produces the [solenoid valve] and [pneumatic valve] has been widely used in machine automation design, such as water level control, temperature control, air conditioner, automatic filling equipment, fire control, professional irrigation, the SPA massage (SPA), steam dipping, solar water heating engineering, water treatment and environmental protection equipment, chemical industry machine food machine, etc.



MILESTONES, EPOCH-MAKING.
FLUID INDUSTRIAL SERVICES FOR THE WORLD

CONTINUOUS IMPROVEMENT IS OUR DRIVING FORCE FOR SUSTAINABLE DEVELOPMENT

研发与装备-不断改进产品 是我们持续发展的动力

我们希望通过我们完善的设计、制造和售后服务确保每一台产品在有效使用期内充分发挥各项设计性能指标。我们决心拥有先进的制造手段/完善的检验设施的美誉度市场占有率多客户的各项诚信服务视为多用户应有的承诺。我们拥有世界先进的生产装备，运用崭新的工业概念及强大的技术力量，生产出符合国际标准的高品质终极产品。

We will make sure that all machines can exert their performances in effective life by our perfect design, manufacture and service. We make up our minds to have advanced manufacture way, perfect test equipment and high market share, and make promise to users by credible service. We own world advanced production equipment and produce high-quality final products of international standard with brand new industrial concept and strong technical forces.



www.covnagroup.com
sales@covnagroup.com



公司环境 Company environment



公司前台
Company outlook

办公室
The office

产品展示台
Product Placements

会议室
Conference hall

客户合影 Customer photos



德国客户合影
German customers group photo

意大利客户合影
Italy customer group photo

美国客户合影
America customers group photo

西班牙客户合影
Spanish client group photo



圆度测试 Circularity test



寿命试验 Life Test



耐温试验 Temperature test



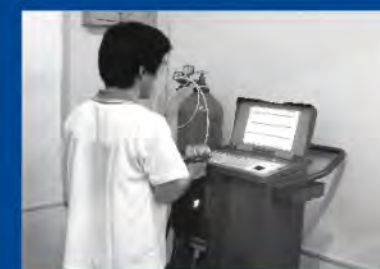
拉伸试验 Tensile Test



压力试验 Pressure Test



冲击实验 Impact test



光谱分析 Spectral Analysis



防火试验 Fire Test



检验 Thread Inspection

FINE,
STANDARD AND EFFECTIVE MANAGEMENT

精细、规范、行之有效的管理

科威纳对企业生产的所有物料，包括原材料、零部件、在制品、半成品及产品，以及辅助物料进行合理控制和管理。公司在生产过程中，严格按照 ISO9001 质量管理体系的要求进行管理，通过提高工作质量保证产品的稳定性，同时加强客户服务的管理，多年来公司产品质量检验的合格率达到100%。绝不让一件不合格的产品出厂，我们相信这既是对客户负责，更是对我们自己负责。

COVNA carries out reasonable control and management of all materials for production, including raw materials, parts, work in process, semi-finished products, finished products, as well as auxiliary materials. The production process is controlled in strict accordance with ISO9001 quality management system. Over the years, our company has always maintained a product quality inspection qualification rate of 100% through improving work quality, ensuring product stability and promoting customer service. We will never sell one unqualified product to clients. We believe that it not only means the responsibility for customers, but also for ourselves.



01

HIGH MOUNTING PAD
BALL VALVE SERIES

高平台
球阀系列



Products applicable to petroleum, chemical, natural gas, light industry, electric power, pharmaceuticals, dyes, metallurgy, fiber, leather, textile, food, military, construction, refrigeration, water supply and other industries.



3PC TYPE BALL VALVE WITH INTERNAL THREAD(HIGH MOUNTING PAD)
(WCB, CF8, CF8M)

高平台三片式 内螺纹球阀



①

②

- ① (1000WOG)三片式内螺纹球阀(高平台、带锁)
(1000 WOG)3PC Type Ball Valve With Internal Thread(high Mounting Pad、Locking)
Q11F-(16-64)C、P、R
- ② (2000 WOG)三片式内螺纹球阀(防火型)
(2000 WOG)3PC Type Ball Valve With Internal Thread(Fire Safe)
Q11F-(16-140)C、P、R

主要零件材料 Materials of main parts

零件名称 Description of Parts	Q11F-(16-140)C	Q11F-(16-140)P	Q11F-(16-140)R
阀体 Body	WCB	ZG1Cr18Ni9Ti CF8	ZG1Cr18Ni12Mo2Ti CF8M
阀盖 Bonnet	WCB	ZG1Cr18Ni9Ti CF8	ZG1Cr18Ni12Mo2Ti CF8M
球体 Ball	1Cr18Ni9Ti 304	1Cr18Ni9Ti 304	1Cr18Ni12Mo2Ti 316
阀杆 Stem	1Cr18Ni9Ti 304	1Cr18Ni9Ti 304	1Cr18Ni12Mo2Ti 316
密封圈 Sealing	聚四氟乙烯 Polytetrafluorethylene(PTFE)		
填料 Packing	聚四氟乙烯 Polytetrafluorethylene(PTFE)		

性能规范 Specifications

公称压力: PN1.6,2.5,4.0,6.4,10,14MPa
强度试验压力: PT2.4,3.8,6.0,9.6,15,21MPa
低压气密封试验压力: 0.6MPa
适用介质: Q11F-(16-140)C 水、油品、气
适用温度: -29~180°C
适用介质: Q11F-(16-140)P 硝酸类
Q11F-(16-140)R 醋酸类
适用温度: -40~180°C

Nominal pressure: PN1.6,2.5,4.0,6.4,10,14MPa
Strength testing pressure: PT2.4,3.8,6.0,9.6,15,21MPa
Seat testing pressure (low pressure): 0.6MPa
Applicable media:
Q11F-(16-140)C Water,Oil,Gas
Applicable temperature: -29~180°C
Applicable media:
Q11F-(16-140)P Nitric acid
Q11F-(16-140)R Acetic acid
Applicable temperature: -40~180°C

NEW TECHNOLOGIES,
NEW PROCESSES, CREATED A GOOD PRODUCT

新技术，新工艺，铸就好产品



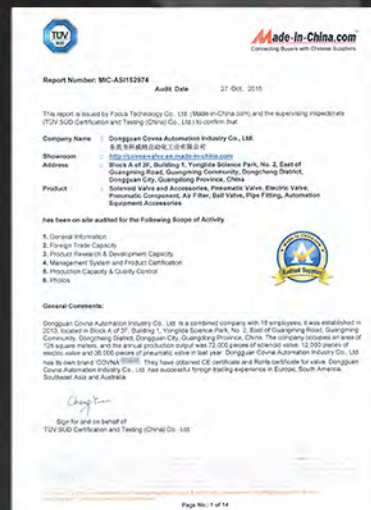
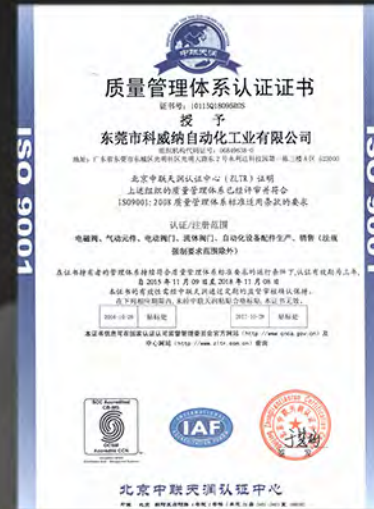
WE OWN WORLD ADVANCED PRODUCTION EQUIPMENT AND PRODUCE HIGH-QUALITY FINAL PRODUCTS OF INTERNATIONAL

引进德国斯派克直读式光谱仪进行材质化验，保证产品的质量



公司已通过ISO9001:2000质量体系认证。完善的质量保证体系，可以保证整个设计、制造过程受到监督和控制。品质体现我们的尊严，出类拔萃的品质拒绝平庸，一丝不苟，千锤百炼，标准化的管理体系和系统化的品质保证体系让科威纳品质在世界的每个角落都畅通无阻，埃尼斯阀门通过与合作者们卓有成效的努力，正促使“科威纳阀门”成为世界上无可挑剔的品质。

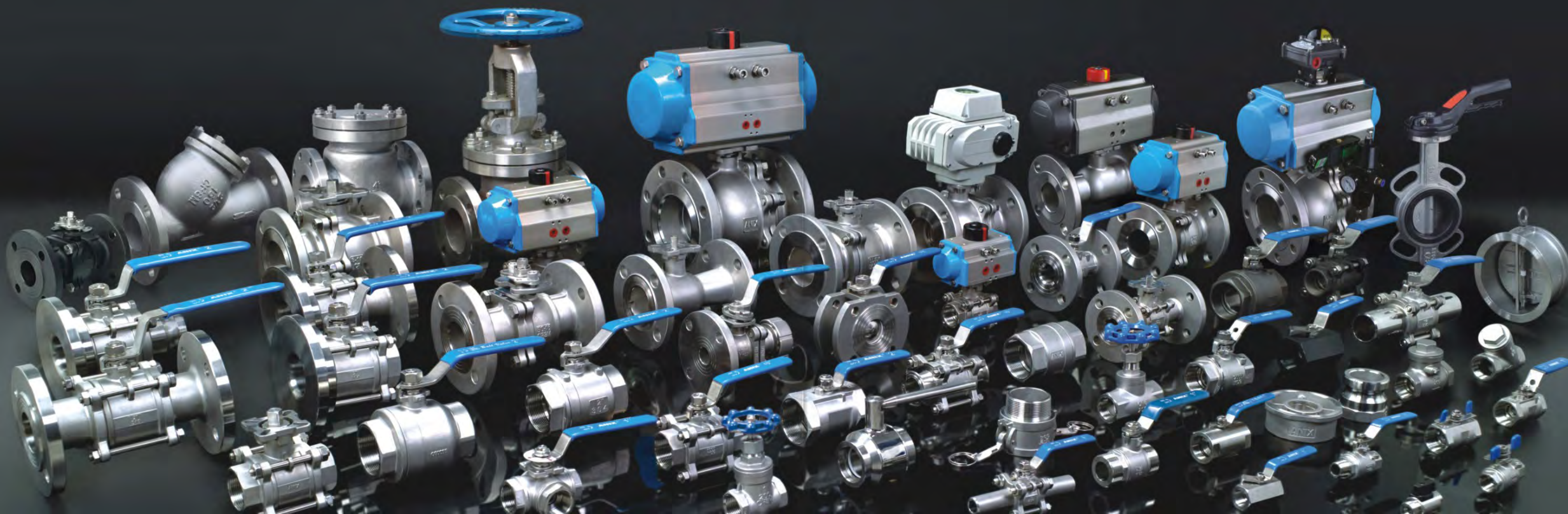
The company has been certified to ISO 9001:2000. The complete quality assurance system enables the whole design and manufacturing process to be monitored and controlled. The quality shows our character and the brilliant quality rejects the mediocrity. Meticulously and highly finished. With standardized management system and systematic quality assurance system, the product quality of COVNA has received the reliance of customers all over the world. Though the effective efforts with cooperators, we are promoting the quality of our COVNA products to be the most impeccable in the world.



Products applicable to petroleum, chemical, natural gas, light industry, electric power, pharmaceuticals, dyes, metallurgy, fiber, leather, textile, food, military, construction, refrigeration, water supply and other industries.

MILESTONES, EPOCH-MAKING,
FLUID INDUSTRIAL SERVICES FOR THE WORLD

精工细作
极致品质



CONTENTS 产品目录



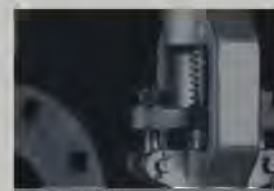
Page 01-14

FLANGED BALL VALVE SERIES
法兰球阀系列



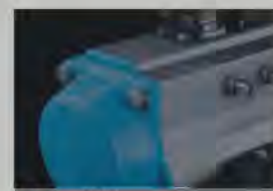
Page 15-34

THREAD, WELDING, QUICK RELEASE VALVE SERIES
螺纹、焊接、快装阀门系列



Page 35-47

FLANGED GATE VALVE/CUT-OFF VALVE/CHECK/FILTER/BUTTERFLY VALVE
法兰闸阀/截止阀/止回阀/过滤器/蝶阀



Page 48-50

INTELLIGENT SERIES PNEUMATIC, ELECTRIC, GAS LIQUID LINE/AGE
智能系列 气动、电动、气液联动



Page 51-69

BALL VALVE/BUTTERFLY VALVE SERIES
高性能球阀/蝶阀系列



Page 70-71

TITANIUM, NICKED VALVE SERIES
钛、镍等特殊材质阀门



Page 72-77

SANITARY STAINLESS STEEL VALVE, PIPE FITTINGS SERIES
卫生级不锈钢阀门、管件系列



Page 78-79

STAINLESS STEEL QUICK PIPE FITTINGS SERIES
不锈钢快速接头、管道配件系列

国标法兰球阀 GB FLANGED BALL VALVE	02
美标法兰球阀 AS FLANGED BALL VALVE	04
日标法兰球阀 JS FLANGED BALL VALVE	06
德标法兰球阀 DIN FLANGED BALL VALVE	08
一体式防泄漏球阀 WHOLE TYPE FLANGED BALL VALVE	10
薄型法兰球阀 WAFER TYPE FLANGED BALL VALVE	11
三片式法兰球阀 3PC TYPE BALL VALVE WITH FLANGE	12
三通球阀 3WAY BALL VALVE	13
船用阀 / 罐底放料阀 VESSEL VALVE / BAITING VALVE	14

二片式内螺纹球阀 2PC TYPE BALL VALVE WITH INTERNAL THREAD	16
高压球阀 3000WOG TYPE OF BALL VALVE	19
一片式内螺纹球阀 1PC TYPE BALL VALVE WITH INTERNAL THREAD	21
三片式内螺纹球阀 3PC TYPE BALL VALVE WITH INTERNAL THREAD	22
2000/3000WOG三片式球阀 3PC TYPE BALL VALVE WITH INTERNAL THREAD	23
三片式焊接球阀 3PC TYPE WELDED BALL VALVE	24
卫生级快装球阀 CLAMPED-PACKAGE BALL VALVE	25
螺纹球阀 TYPE THREAD BALL VALVE	26
迷你球阀 MINI BALL VALVE	29
Y型内螺纹过滤器 Y-TYPE FEMALE STRAINER	30
不锈钢内螺纹闸阀 STAINLESS STEEL FEMALE GATE VALVE	31
美式内螺纹截止阀 AMERICAN TYPE FEMALE GLOBE VALVE	32
内螺纹止回阀 FEMALE CHECK VALVE	33
对夹式止回阀 WAFER TYPE CHECK VALVE	34

国标、德标截止阀 GB, DIN GLOBE VALVE	36
美标截止阀 AMERICAN STANDARD GLOBE VALVE	37
日标截止阀 JIS STANDARD GLOBE VALVE	38
国标、德标闸阀 GB, DIN GATE VALVE	39
美标闸阀 AMERICAN STANDARD WEDGE GATE VALVE	40
日标闸阀 JIS STANDARD WEDGE GATE VALVE	41
国标止回阀 GB SWING CHECK VALVE	42
美标、日标止回阀 ANSI, JIS STANDARD SWING CHECK VALVES	43
Y型法兰过滤器 FLANGED Y-TYPE STRAINER	44
美标锻钢截止阀 AMERICAN STANDARD FORGED STEEL GLOBE VALVE	45
美标锻钢闸阀 AMERICAN STANDARD FORGED STEEL GATE VALVEES	46
美标锻钢止回阀 AMERICAN STANDARD FORGED CHECK VALVE	47

气动球阀 PNEUMATIC BALL VALVE	49
电动球阀 BALL VALVE WITH ELECTRIC ACTUATOR	50

法兰球阀(固定球式) AS FLANGED BALL VALVE (FIXED BALL)	52
高性能V型球阀 HIGH PERFORMANCE V BALL VALVE	54
金属密封球阀 METAL SEATED BALL VALVES	58
法兰式多层次金属硬密封蝶阀 FLANGED MULTI-LAYER METALLIC HARD SEALING BUTTERFLY VALVE	63
双法兰式、凸耳式和对夹式三偏心蝶阀 DOUBLE FLANGED, LUG TYPE AND WAFER TYPE TRIPLE ECCENTRIC BUTTERFLY VALVE	65
手动、蜗轮传动法兰式蝶阀 HAND OPERATED AND GEAR OPERATED FLANGED BUTTERFLY VALVE	67
手动、对夹式衬胶蝶阀 HAND OPERATED WAFER TYPE RUBBER LINED BUTTERFLY VALVE	68
蜗轮传动对夹式衬胶蝶阀 GEAR OPERATED WAFER TYPE RUBBER LINED BUTTERFLY VALVE	69

钛、镍等特殊材质阀门 TITANIUM NICKED VALVE SERIES	71
--	----

卫生级不锈钢阀门、管件系列 SANITARY STAINLESS STEEL VALVE, PIPE FITTINGS SERIES	73
卫生级不锈钢阀门 SANITARY STAINLESS STEEL VALVE	74
卫生级不锈钢接头 SANITARY STAINLESS STEEL JOINT	75
卫生级不锈钢管件 SANITARY STAINLESS STEEL PIPE	76

不锈钢法兰管接头、补偿器 STAINLESS STEEL FLANG PIPE FITTINGS, COMPENSATOR(304, 316)	79
--	----

GB FLANGED BALL VALVE
(WCB, CF8, CF8M, Ti, Ni)

国标法兰球阀



设计标准 Design standards

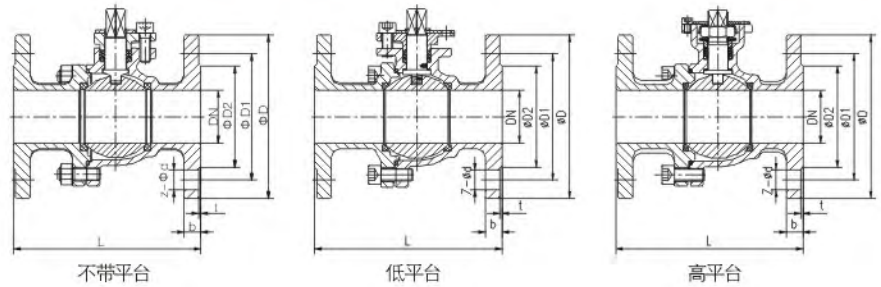
技术规范: 国标
设计标准: GB/T 12237
结构长度: GB/T 12221
连接法兰: GB/T 9113 JB 79 HG 20592
试验与检验: GB/T 12237 JB 9092

Technical specification: GB
Design Standard: GB/T 12237
Face to Face: GB/T 12221
Flanged Ends: GB/T 9113 JB 79 HG 20592
Test and Inspection: GB/T 12237 JB 9092

性能规范 Specifications

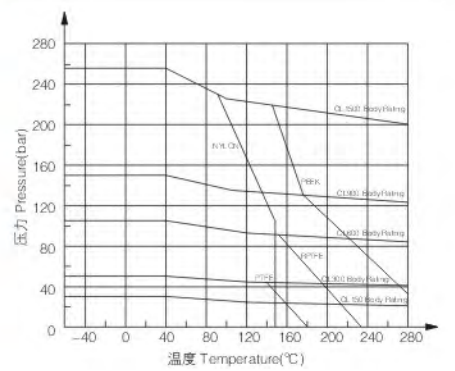
公称压力: 1.6, 2.5, 4.0, 6.3Mpa
强度试验: 2.4, 3.8, 6.0, 9.5Mpa
密封试验: 1.8, 2.8, 4.4, 7.0Mpa
上密封试验: 1.8, 2.8, 4.4, 7.0Mpa
气密封试验: 0.6Mpa
阀门主体材料: WCB(C), CF8(P), CF3(PL), CF8M(R), CF3M(RL)
适用介质: 水、蒸汽、油品、硝酸类、醋酸类
适用温度: -29°C~180°C

Nominal pressure: 1.6, 2.5, 4.0, 6.3 Mpa
Strength test: 2.4, 3.8, 6.0, 9.5 Mpa
Seal Test: 1.8, 2.8, 4.4, 7.0 Mpa
The seal test: 1.8, 2.8, 4.4, 7.0 Mpa
Gas seal test: 0.6 Mpa
Valve body material: WCB (C), CF8 (P), the CF3 (PL), CF8M (R), CF3M (RL)
Suitable medium: water, steam, oil products, nitric acid, acetic acid
Suitable temperature: -29°C~180°C



主要零件材料 Materials of main parts

材料名称 Material Name	碳钢 Carbon steel	不锈钢 Stainless steel	
阀体 Body	A216 WCB	A351 CF8	A351 CF8M
阀盖 Bonnet	A216 WCB	A351 CF8	A351 CF8M
球体 Ball	A276 304 / A276 316		
阀杆 Stem	2Cr13 / A276 304 / A276 316		
阀座 Seat	PTFE、RPTFE		
填料 Gland Packing	PTFE/柔性石墨 PTFE / Flexible Graphite		
压盖 Gland	A216 WCB	A351 CF8	
螺栓 Bolt	A193-B7	A193-B8M	
螺母 Nut	A194-2H	A194-8	



FLANGE
BALL VALVE SERIES

01 法兰球阀系列

Products applicable to petroleum, chemical, natural gas, light industry, electric power, pharmaceuticals, dyes, metallurgy, fiber, leather, textile, food, military, construction, refrigeration, water supply and other industries.

GB FLANGED BALL VALVE
(WCB, CF8, CF8M, Ti, Ni)
国标法兰球阀

主要外形尺寸和连接尺寸
The main dimensions and connection dimensions

国标(GB) 1.6MPa 单位: mm

公称口径 DN(mm)	L		D	D1	D2	b	t	Z-φd
	短系列 Short series	中系列 In series						
15	108	130	95	65	45	14	2	4-φ14
20	117	130	105	75	55	14	2	4-φ14
25	127	140	115	85	65	14	2	4-φ14
32	140	165	140/135	100	78	16	2	4-φ18
40	165	165	150/145	110	85	16	3	4-φ18
50	178	203	165/160	125	100	16	3	4-φ18
65	190	222	185/180	145	120	18	3	4-φ18
80	203	241	200/195	160	135	20	3	8-φ18
100	229	280	220/215	180	155	20	3	8-φ18
125		320	250/245	210	185	22	3	8-φ18
150		360	285/280	240	210	24	3	8-φ23
200		457	340/335	295	265	26	3	12-φ23
250		533	405	355	320	30	3	12-φ25
300		610	460	410	375	30	3	12-φ25
350		686	520	470	435	34	3	16-φ25

国标(GB) 4.0MPa 单位: mm

公称口径 DN(mm)	L	D	D1	D2	b	t	Z-φd
15	140	95	65	45	16	2	4-φ14
20	152	105	75	55	16	2	4-φ14
25	165	115	85	65	16	2	4-φ14
32	178	140/135	100	78	18	2	4-φ18
40	190	150/145	110	85	18	3	4-φ18
50	216	165/160	125	100	20	3	4-φ18
65	241	185/180	145	120	22	3	8-φ18
80	283	200/195	160	135	22	3	8-φ18
100	305	235/230	190	160	24	3	8-φ23
125	381	270	220	188	28	3	8-φ25
150	403	300	250	218	30	3	8-φ25
200	419	375	320	282	38	3	12-φ30
250	457	450/445	385	345	42	3	12-φ34
300	502	515/510	450	408	46	3	16-φ34
350	762	580/570	530	465	52	3	16-φ34

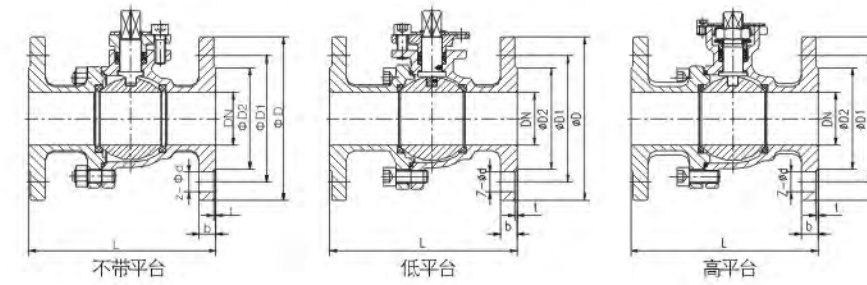
国标(GB) 2.5MPa 单位: mm

公称口径 DN(mm)	L		D	D1	D2	b	t	Z-φd
	短系列 Short series	中系列 In series						
15	108	130	95	65	45	16	2	4-φ14
20	117	130	105	75	55	16	2	4-φ14
25	127	140	115	85	65	16	2	4-φ14
32	140	165	140/135	100	78	18	2	4-φ18
40	165	165	150/145	110	85	18	3	4-φ18
50	178	203	165/160	125	100	20	3	4-φ18
65	190	222	185/180	145	120	22	3	8-φ18
80	203	241	200/195	160	135	22	3	8-φ18
100	229	280	230	190	160	24	3	8-φ23
125		320	270	220	188	28	3	8-φ25
150		360	300	250	218	30	3	8-φ25
200		457	360	310	278	34	3	12-φ25
250		533	425	370	332	36	3	12-φ30
300		610	485	430	390	40	3	16-φ30
350		686	555/550	490	448	44	3	16-φ34

国标(GB) 6.3MPa 单位: mm

公称口径 DN(mm)	L	D	D1	D2	b	t	Z-φd
15	140	105	75	55	18	2	4-φ14
20	152	130	90	68	20	2	4-φ18
25	165	140	100	78	22	2	4-φ18
32	178	155	110	82	24	2	4-φ23
40	190	170	125	95	24	3	4-φ23
50	216	180	135	105	26	3	4-φ23
65	241	205	160	130	28	3	8-φ23
80	283	215	170	140	30	3	8-φ23
100	305	250	200	168	32	3	8-φ25
125	381	295	240	202	36	3	8-φ30
150	403	345	280	240	38	3	8-φ34
200	419	405	345	300	44	3	12-φ34
250	457	470	400	352	48	3	12-φ41
300	502	530	460	412	54	3	16-φ41
350	762	600	525	475	60	3	16-φ41

AS FLANGED BALL VALVE
(WCB, CF8, CF8M, Ti, Ni)
美标法兰球阀



主要零件材料 Materials of main parts

材料名称 Material Name	碳钢 Carbon steel	不锈钢 Stainless steel	
阀体 Body	A216 WCB	A351 CF8	A351 CF8M
阀盖 Bonnet	A216 WCB	A351 CF8	A351 CF8M
球体 Ball	A276 304 / A276 316		
阀杆 Stem	2Cr13 / A276 304 / A276 316		
阀座 Seal	PTFE, RPTFE		
填料 Gland Packing	PTFE/柔性石墨 PTFE / Flexible Graphite		
压盖 Gland	A216 WCB	A351 CF8	
螺栓 Bolt	A193-B7	A193-B8M	
螺母 Nut	A194-2H	A194-8	

设计标准 Design standards

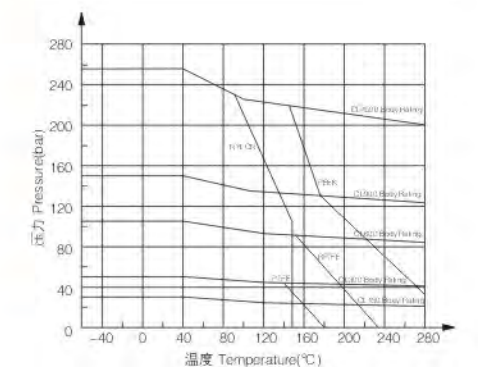
技术规范: 美标
设计标准: API6D API608
结构长度: ASME B16.10
连接法兰: ASME B16.5
试验与检验: API6D API598

Technical specifications: AS
Design standards: API6D API608
Structure length: ASME B16.10
Connection flange: ASME B16.5
Test and Inspection: API6D API598

性能规范 Specifications

公称压力: 150, 300, 600LB
强度试验: PT3.0, 7.5, 15Mpa
密封试验: 2.2, 5.5, 11Mpa
上密封试验: 2.2, 5.5, 11Mpa
气密封试验: 0.6Mpa
阀门主体材料: WCB(C), CF8(P), CF3(PL),
CF8M(R), CF3M(RL)
适用介质: 水、蒸汽、油品、硝酸类、醋酸类
适用温度: -29°C~180°C

Nominal pressure: 150,300,600 LB
Strength test: PT3.0, 7.5,15 Mpa
Seal Test: 2.2,5.5,11 Mpa
The seal test: 2.2,5.5,11 Mpa
Gas seal test: 0.6Mpa
The valve main material: WCB (C), CF8 (P),
CF3 (PL), CF8M (R), CF3M (RL)
Suitable medium: water, steam, oil products,
nitric acid, acetic acid
Suitable temperature: -29°C~180°C



AS FLANGED BALL VALVE
(WCB, CF8, CF8M, Ti, Ni)
美标法兰球阀

主要外形尺寸和连接尺寸
The main dimensions and connection dimensions



美标(ANSI): 150LB 单位: mm

公称直径 Nominal Diameter		L	D	D1	D2	b	t	Z-Φd
in	DN							
1/2"	15	108	90	60.3	34.9	10	1.6	4-Φ16
3/4"	20	117	100	69.9	42.9	11	1.6	4-Φ16
1"	25	127	110	79.4	50.8	12	1.6	4-Φ16
1 1/4"	32	140	115	88.9	63.5	13	1.6	4-Φ16
1 1/2"	40	165	125	98.4	73	15	1.6	4-Φ16
2"	50	178	150	120.7	92.1	16	1.6	4-Φ19
2 1/2"	65	190	180	139.7	104.8	18	1.6	4-Φ19
3"	80	203	190	152.4	127	19	1.6	4-Φ19
4"	100	229	230	190.5	157.2	24	1.6	8-Φ19
5"	125	356	255	215.9	185.7	24	1.6	8-Φ22
6"	150	394	280	241.3	215.9	26	1.6	8-Φ22
8"	200	457	345	298.5	269.9	29	1.6	8-Φ22
10"	250	533	405	362	323.8	31	1.6	12-Φ25
12"	300	610	485	431.8	381	32	1.6	12-Φ25
14"	350	686	535	476.3	412.8	35.5	1.6	12-Φ29

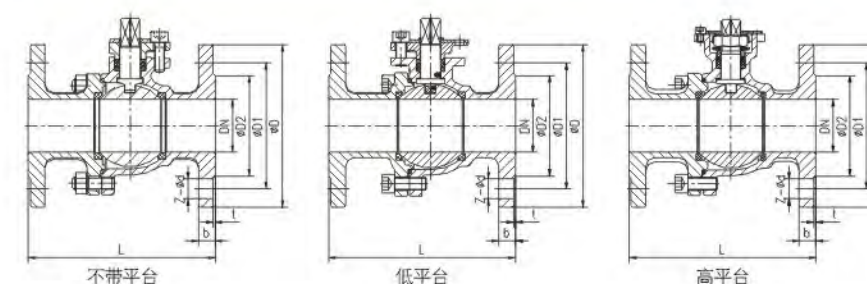
美标(ANSI): 300LB 单位: mm

公称直径 Nominal Diameter		L	D	D1	D2	b	t	Z-Φd
in	DN							
1/2"	15	140	95	66.7	34.9	15	1.6	4-Φ16
3/4"	20	152	115	82.6	42.9	16	1.6	4-Φ19
1"	25	165	125	88.9	50.8	18	1.6	4-Φ19
1 1/4"	32	178	135	98.4	63.5	19	1.6	4-Φ19
1 1/2"	40	190	155	114.3	73	21	1.6	4-Φ22
2"	50	216	165	127	92.1	23	1.6	8-Φ19
2 1/2"	65	241	190	149.2	104.8	26	1.6	8-Φ22
3"	80	282	210	168.3	127	29	1.6	8-Φ22
4"	100	305	255	200	157.2	32	1.6	8-Φ22
5"	125	381	280	235	185.7	35	1.6	8-Φ22
6"	150	403	320	269.9	215.9	37	1.6	12-Φ22
8"	200	502	380	330.2	269.9	42	1.6	12-Φ25
10"	250	568	445	387.4	323.8	48	1.6	16-Φ29
12"	300	648	520	450.8	381	51.5	1.6	16-Φ32
14"	350	762	585	514.4	412.8	54.5	1.6	20-Φ32

美标(ANSI): 600LB 单位: mm

公称直径 Nominal Diameter		L	D	D1	D2	b	t	Z-Φd
in	DN							
1/2"	15	165	95	66.7	34.9	21	6.4	4-Φ16
3/4"	20	190	115	82.6	42.9	23	6.4	4-Φ19
1"	25	216	125	88.9	50.8	24	6.4	4-Φ19
1 1/4"	32	229	135	98.4	63.5	27.5	6.4	4-Φ19
1 1/2"	40	241	155	114.3	73	29	6.4	4-Φ22
2"	50	292	165	127	92.1	32	6.4	8-Φ19
2 1/2"	65	330	190	149.2	104.8	35	6.4	8-Φ22
3"	80	356	210	168.3	127	38.5	6.4	8-Φ22
4"	100	432	275	215.9	157.2	45	6.4	8-Φ25
5"	125	508	330	266.7	185.7	51.5	6.4	8-Φ29
6"	150	559	355	292.1	215.9	54.5	6.4	12-Φ29
8"	200	660	420	349.2	269.9	62	6.4	12-Φ32
10"	250	787	510	431.8	323.8	70	6.4	16-Φ35
12"	300	838	560	489	381	73.5	6.4	20-Φ35
14"	350	889	605	527	412.8	76.5	6.4	20-Φ38

JS FLANGED BALL VALVE
(WCB, CF8, CF8M, Ti, Ni)
日标法兰球阀



设计标准 Design standards

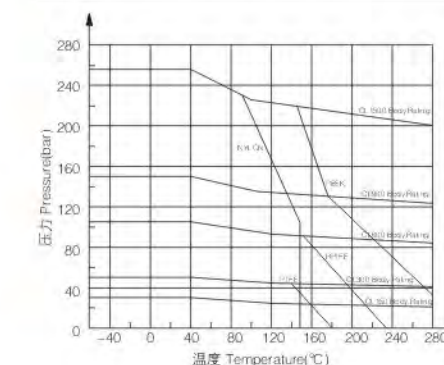
技术规范: 日标
设计标准: JIS B2071
结构长度: JIS B2002
连接法兰: JIS B2212、B2214
试验与检验: JIS B2003

Technical Specification: JS
Design standards: JIS B2071
Length of the structure: JIS B2002
Connection Flange: JIS B2212, B2214
Test and Inspection: JIS B2003

性能规范 Specifications

公称压力: 10, 20K
强度试验: PT2.4, 5.8Mpa
密封试验: 1.5, 4.0Mpa
上密封试验: 1.5, 4.0Mpa
气密封试验: 0.6Mpa
阀门主体材料: WCB(C), CF8(P), CF3(PL), CF8M(R), CF3M(RL)
适用介质: 水, 蒸汽, 油品, 硝酸类, 醋酸类
适用温度: -29℃~180℃

Nominal pressure: 10, 20 K
Strength test: PT2.4, 5.8Mpa
Seal Test: 1.5, 4.0 Mpa
The seal test: 1.5, 4.0 Mpa
Gas seal test: 0.6Mpa
The valve main material: WCB (C), CF8 (P), CF3 (PL), CF8M (R), CF3M (RL)
Suitable medium: water, steam, oil products, nitric acid, acetic acid
Suitable temperature: -29℃~180℃



主要零件材料 Materials of main parts

材料名称 Material Name	碳钢 Carbon steel		不锈钢 Stainless steel	
	A216 WCB	A351 CF8	A351 CF8M	A351 CF8M
阀体 Body	A216 WCB	A351 CF8	A351 CF8M	A351 CF8M
阀盖 Bonnet	A216 WCB	A351 CF8	A351 CF8M	A351 CF8M
球体 Ball	A276 304 / A276 316			
阀杆 Stem	2Cr13 / A276 304 / A276 316			
阀座 Seat	PTFE、RPTFE			
填料 Gland Packing	PTFE/柔性石墨 PTFE / Flexible Graphite			
压盖 Gland	A216 WCB	A351 CF8		
螺栓 Bolt	A193-B7		A193-B8M	
螺母 Nut	A194-2H		A194-8	

JS FLANGED BALL VALVE
(WCB, CF8, CF8M, Ti, Ni)

日标法兰球阀

主要外形尺寸和连接尺寸
The main dimensions and connection dimensions

日标(JIS): 10K

单位: mm

公称通径 Nominal Diameter		L	D	D1	D2	b	t	Z-φd
in	DN							
1/2"	15	108	95	70	52	12	1	4-φ15
3/4"	20	117	100	75	58	14	1	4-φ15
1"	25	127	125	90	70	14	1	4-φ19
1 1/4"	32	140	135	100	80	16	2	4-φ19
1 1/2"	40	165	140	105	85	16	2	4-φ19
2"	50	178	155	120	100	16	2	4-φ19
2 1/2"	65	190	175	140	120	18	2	4-φ19
3"	80	203	185	150	130	18	2	8-φ19
4"	100	229	210	175	155	18	2	8-φ19
5"	125	356	250	210	185	20	2	8-φ23
6"	150	394	280	240	215	22	2	8-φ23
8"	200	457	330	290	265	22	2	12-φ23
10"	250	533	400	355	325	24	2	12-φ25
12"	300	610	445	400	370	24	2	16-φ25
14"	350	686	490	445	415	26	2	16-φ25

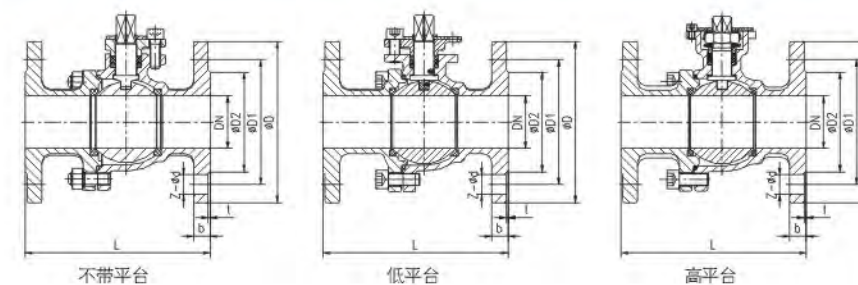
日标(JIS): 20K

单位: mm

公称通径 Nominal Diameter		L	D	D1	D2	b	t	Z-φd
in	DN							
1/2"	15	140	95	70	52	14	1	4-φ15
3/4"	20	152	100	75	58	16	1	4-φ15
1"	25	165	125	90	70	16	1	4-φ19
1 1/4"	32	178	135	100	80	18	2	4-φ19
1 1/2"	40	190	140	105	85	18	2	4-φ19
2"	50	216	155	120	100	18	2	8-φ19
2 1/2"	65	241	175	140	120	20	2	8-φ19
3"	80	282	200	160	135	22	2	8-φ23
4"	100	305	225	185	160	24	2	8-φ23
5"	125	381	270	225	195	26	2	8-φ25
6"	150	403	305	260	230	28	2	12-φ25
8"	200	502	350	305	275	30	2	12-φ25
10"	250	568	430	380	345	34	2	12-φ27
12"	300	648	480	430	395	35	3	16-φ27
14"	350	762	540	480	440	40	3	16-φ33

DIN FLANGED BALL VALVE
(WCB, CF8, CF8M, Ti, Ni)

德标法兰球阀



主要零件材料 Materials of main parts

材料名称 Material Name	碳钢 Carbon steel		不锈钢 Stainless steel	
	A216 WCB	A351 CF8	A351 CF8M	A351 CF8M
阀体 Body	A216 WCB	A351 CF8	A351 CF8M	A351 CF8M
阀盖 Bonnet	A216 WCB	A351 CF8	A351 CF8M	A351 CF8M
球体 Ball	A276 304 / A276 316			
阀杆 Stem	2Cr13 / A276 304 / A276 316			
阀座 Seal	PTFE、RPTFE			
填料 Gland Packing	PTFE/柔性石墨 PTFE / Flexible Graphite			
压盖 Gland	A216 WCB	A351 CF8		
螺栓 Bolt	A193-B7		A193-B8M	
螺母 Nut	A194-2H		A194-8	

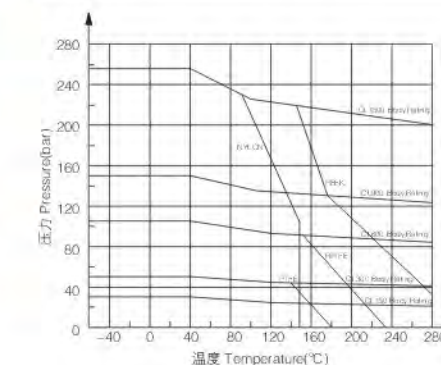
设计标准 Design standards

技术规范: 德标
设计标准: DIN3357
结构长度: DIN3202
连接法兰: DIN2542-2546
试验与检验: DIN3230
Technical specification: DIN
Design standard: DIN3357
Length of the structure: DIN3202
Connection flange: DIN2542-2546
Test and Inspection: DIN3230

性能规范 Specifications

公称压力: 1.6, 2.5, 4.0, 6.3Mpa
强度试验: 2.4, 3.8, 6.0, 9.5Mpa
密封试验: 1.8, 2.8, 4.4, 7.0Mpa
上密封试验: 1.8, 2.8, 4.4, 7.0Mpa
气密封试验: 0.6Mpa
阀门主体材料: WCB(C), CF8(P), CF3(PL), CF8M(R), CF3M(RL)
适用介质: 水、蒸汽、油品、硝酸类、醋酸类
适用温度: -29℃~180℃

Nominal pressure: 1.6, 2.5, 4.0, 6.3 Mpa
Strength test: 2.4, 3.8, 6.0, 9.5 Mpa
Seal Test: 1.8, 2.8, 4.4, 7.0 Mpa
The seal test: 1.8, 2.8, 4.4, 7.0 Mpa
Gas seal test: 0.6 Mpa
The valve main material: WCB (C), CF8 (P), CF3 (PL), CF8M (R), CF3M (RL)
Suitable medium: water, steam, oil products, nitric acid, acetic acid
Suitable temperature: -29℃~180℃



DIN FLANGED BALL VALVE
(WCB, CF8, CF8M, Ti, Ni)

德标法兰球阀

主要外形尺寸和连接尺寸
The main dimensions and connection dimensions

德标(DIN) 1.6Mpa PN(16bar) 单位: mm

公称通径 DN(mm)	L	D	D1	D2	b	l	Z-φd
15	115	95	65	45	16	2	4-φ14
20	120	105	75	58	18	2	4-φ14
25	125	115	85	68	18	2	4-φ14
32	130	140	100	78	18	2	4-φ18
40	140	150	110	88	18	3	4-φ18
50	150	165	125	102	20	3	4-φ18
65	170	185	145	122	18	3	4-φ18
80	180	200	160	138	20	3	8-φ18
100	190	220	180	158	20	3	8-φ18
125	325	250	210	188	22	3	8-φ18
150	350	285	240	212	22	3	8-φ22
200	400	340	295	268	24	3	12-φ22
250	450	405	355	320	26	3	12-φ26
300	500	460	410	378	28	4	12-φ26
350	550	520	470	438	30	4	16-φ26

德标(DIN) 4.0Mpa PN(40bar) 单位: mm

公称通径 DN(mm)	L	D	D1	D2	b	l	Z-φd
15	115	95	65	45	16	2	4-φ14
20	120	105	75	58	18	2	4-φ14
25	125	115	85	68	18	2	4-φ14
32	130	140	100	78	18	2	4-φ18
40	140	150	110	88	18	3	4-φ18
50	150	165	125	102	20	3	4-φ18
65	170	185	145	122	22	3	8-φ18
80	180	200	160	138	24	3	8-φ18
100	190	235	190	162	24	3	8-φ22
125	325	270	220	188	26	3	8-φ26
150	350	300	250	218	28	3	8-φ26
200	400	375	320	285	34	3	12-φ30
250	450	450	385	345	38	3	12-φ33
300	500	515	450	410	42	4	16-φ33
350	550	580	510	465	46	4	16-φ36

德标(DIN) 2.5Mpa PN(25bar) 单位: mm

公称通径 DN(mm)	L	D	D1	D2	b	l	Z-φd
15	115	95	65	45	16	2	4-φ14
20	120	105	75	58	18	2	4-φ14
25	125	115	85	68	18	2	4-φ14
32	130	140	100	78	18	2	4-φ18
40	140	150	110	88	18	3	4-φ18
50	150	165	125	102	20	3	4-φ18
65	170	185	145	122	22	3	8-φ18
80	180	200	160	138	24	3	8-φ18
100	190	235	190	162	24	3	8-φ22
125	325	270	220	188	26	3	8-φ26
150	350	300	250	218	28	3	8-φ26
200	400	360	310	278	30	3	12-φ26
250	450	425	370	335	32	3	12-φ30
300	500	485	430	395	34	4	16-φ30
350	550	555	490	450	38	4	16-φ33

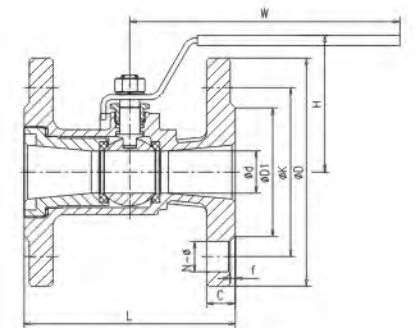
德标(DIN) 6.4Mpa PN(64bar) 单位: mm

公称通径 DN(mm)	L	D	D1	D2	b	l	Z-φd
15	140	105	75	45	20	2	4-φ14
20	152	130	90	58	20	2	4-φ18
25	165	140	100	68	24	2	4-φ18
32	178	155	110	75	24	2	4-φ22
40	190	170	125	88	26	3	4-φ22
50	216	180	135	102	26	3	4-φ22
65	241	205	160	122	26	3	8-φ22
80	263	215	170	138	28	3	8-φ22
100	305	250	200	162	30	3	8-φ26
125	381	295	240	188	34	3	8-φ30
150	403	345	280	218	36	3	8-φ33
200	419	415	345	285	42	3	12-φ36
250	457	470	400	345	46	3	12-φ36
300	502	530	460	410	52	3	16-φ36
350	762	600	525	165	56	3	16-φ39

WHOLE TYPE FLANGED BALL VALVE
(WCB, CF8, CF8M, Ti, Ni)

一体式防泄漏球阀

- ① 一体式防泄漏球阀·带填料仓(替代广式球阀)
Whole Type Flanged Ball Valve
Q41F-(16-64)C、P、R、Ti、Ni
- ② (全通径)一体式防腐蚀球阀
Whole type Flanged Anti-caustery Ball Valve
Q41F-(16-64)C、P、R、Ti、Ni



主要零件材料 Materials of main parts

零件名称 Description of Parts	Q41F-(16-64)C	Q41F-(16-64)P	Q41F-(16-64)R
阀体 Body	WCB	ZG1Cr18Ni9Ti CF8	ZG1Cr18Ni12Mo2Ti CF8M
阀盖 Bonnet	WCB	ZG1Cr18Ni9Ti CF8	ZG1Cr18Ni12Mo2Ti CF8M
球体 Ball	1Cr18Ni9Ti 304	1Cr18Ni9Ti 304	1Cr18Ni12Mo2Ti 316
阀杆 Stem	1Cr18Ni9Ti 304	1Cr18Ni9Ti 304	1Cr18Ni12Mo2Ti 316
密封圈 Sealing	聚四氟乙烯 Polytetrafluorethylene(PTFE)		
填料 Packing	聚四氟乙烯 Polytetrafluorethylene(PTFE)		

主要外形尺寸 Main outer size(PN16)

DN	d	L	D	K	D1	C	f	H	N-φ	W
15	12	90	95	65	46	14	2	60	4-14	110
20	15	105	105	75	56	14	2	65	4-14	120
25	20	110	115	85	65	15	2	75	4-14	150
32	25	125	135	100	76	16	3	83	4-18	160
40	32	136	145	110	85	18	3	90	4-18	160
50	38	155	160	125	100	18	3	100	4-18	180
65	50	170	180	145	118	20	3	110	4-18	200
80	65	200	195	160	132	20	3	130	8-18	250
100	80	230	215	180	150	22	3	150	8-18	270

性能规范 Specifications

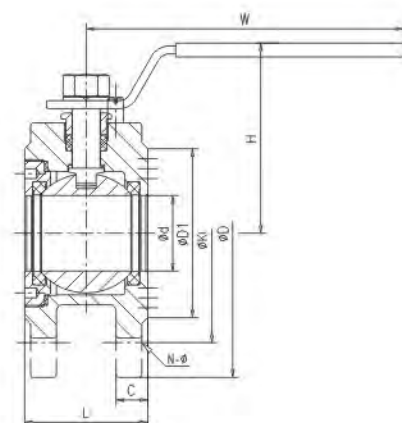
公称压力: PN1.6,2.5,4.0,6.4MPa
强度试验压力: PT2.4,3.8,6.0,9.6MPa
低气压密封试验压力: 0.6MPa
适用介质: Q41F-(16-64)C 水、油品、气
适用温度: -29~180°C
适用介质: Q41F-(16-64)P 硝酸类
Q41F-(16-64)R 醋酸类
适用温度: -29°C~180°C

Nominal pressure: PN1.6,2.5,4.0,6.4MPa
Strength testing pressure: PT2.4,3.8,6.0,9.6MPa
Seat testing pressure (low pressure): 0.6MPa
Applicable media:
Q41F-(16-64)C Water,Oil,Gas
Applicable temperature: -29~180°C
Q41F-(16-64)P Nitric acid
Q41F-(16-64)R Acetic acid
Applicable temperature: -29°C~180°C

WAFER TYPE FLANGED BALL VALVE
(WCB, CF8, CF8M, Ti, Ni)

薄型法兰球阀

薄型法兰球阀
Wafer Type Flanged Ball Valve
Q41F-(16-64) C、P、R、Ti、Ni



主要零件材料 Materials of main parts

零件名称 Description of Parts	Q41F-(16-64)C	Q41F-(16-64)P	Q41F-(16-64)R
阀体 Body	WCB	ZG1Cr18Ni9Ti CF8	ZG1Cr18Ni12Mo2Ti CF8M
阀盖 Bonnet	WCB	ZG1Cr18Ni9Ti CF8	ZG1Cr18Ni12Mo2Ti CF8M
球体 Ball	1Cr18Ni9Ti 304	1Cr18Ni9Ti 304	1Cr18Ni12Mo2Ti 316
阀杆 Stem	1Cr18Ni9Ti 304	1Cr18Ni9Ti 304	1Cr18Ni12Mo2Ti 316
密封圈 Sealing	聚四氟乙烯 Polytetrafluorethylene(PTFE)		
填料 Packing	聚四氟乙烯 Polytetrafluorethylene(PTFE)		

主要外形尺寸 Main outer size(PN16)

DN	d	L	D	K	D1	C	H	N-φ	W
15	15	35	95	65	46	10	65	4-M12	100
20	20	37	105	75	56	11	70	4-M12	110
25	25	42	115	85	65	12	80	4-M12	125
32	32	53	135	100	76	14	90	4-M16	150
40	38	62	145	110	85	16	96	4-M16	160
50	50	78	160	125	100	17	104	4-M16	180
65	58	90	180	145	118	18	110	4-M16	200
80	76	110	195	160	132	18	130	8-M16	250
100	90	134	215	180	156	19	145	8-M16	270
125	100	197	245	210	185	22	180	8-M18	320
150	125	231	480	240	207	24	200	8-M23	320

性能规范 Specifications

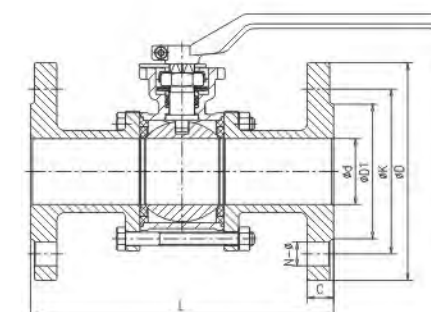
公称压力: PN1.6,2.5,4.0,6.4MPa
强度试验压力: PT2.4,3.8,6.0,9.6MPa
低压气密封试验压力: 0.6MPa
适用介质: Q41F-(16-64)C 水、油品、气
适用温度: -29~180°C
适用介质: Q41F-(16-64)P 硝酸类
Q41F-(16-64)R 醋酸类
适用温度: -29°C~180°C

Nominal pressure: PN1.6,2.5,4.0,6.4MPa
Strength testing pressure: PT2.4,3.8,6.0,9.6MPa
Seat testing pressure (low pressure): 0.6MPa
Applicable media:
Q41F-(16-64)C Water,Oil,Gas
Applicable temperature: -29~180°C
Q41F-(16-64)P Nitric acid
Q41F-(16-64)R Acetic acid
Applicable temperature: -29°C~180°C

3PC TYPE BALL VALVE WITH FLANGE
(WCB, CF8, CF8M, Ti, Ni)

三片式法兰球阀

3PC Ball Valve With Flange
(With High Mounting Pad)
Q41F-(16-64) C、P、R、Ti、Ni



主要零件材料 Materials of main parts

零件名称 Description of Parts	Q41F-(16-64)C	Q41F-(16-64)P	Q41F-(16-64)R
阀体 Body	WCB	ZG1Cr18Ni9Ti CF8	ZG1Cr18Ni12Mo2Ti CF8M
阀盖 Bonnet	WCB	ZG1Cr18Ni9Ti CF8	ZG1Cr18Ni12Mo2Ti CF8M
球体 Ball	1Cr18Ni9Ti 304	1Cr18Ni9Ti 304	1Cr18Ni12Mo2Ti 316
阀杆 Stem	1Cr18Ni9Ti 304	1Cr18Ni9Ti 304	1Cr18Ni12Mo2Ti 316
密封圈 Sealing	聚四氟乙烯 Polytetrafluorethylene(PTFE)		
填料 Packing	聚四氟乙烯 Polytetrafluorethylene(PTFE)		

主要外形尺寸 Main outer size(PN16)

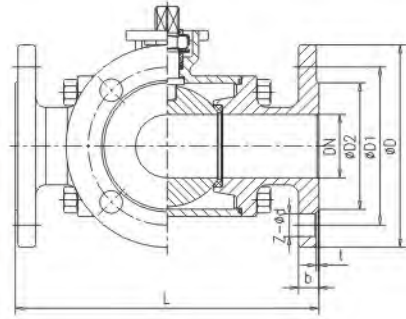
DN	B	L	H	W	D	K	D1	C	N-φ	D	K	D1	C	N-φ	D	K	D1	C	N-φ
15	15	130	75	130	95	65	45	14	4-14	95	65	45	16	4-14	89	60.5	35	10	4-15
20	20	150	80	140	105	75	58	16	4-14	105	75	58	18	4-14	98	70	43	11	4-15
25	25	160	85	150	115	85	68	16	4-14	115	85	68	18	4-14	108	79.5	51	12	4-15
32	32	180	100	170	140	100	78	16	4-18	140	100	78	18	4-18	117	89	64	13	4-15
40	38	200	110	200	150	110	88	16	4-18	150	110	88	18	4-18	127	98.5	73	15	4-15
50	50	230	120	220	165	125	102	18	4-18	165	125	102	20	4-18	152	120.5	92	16	4-19
65	65	250	130	280	185	145	122	18	4-18	185	145	122	22	8-18	178	139.5	105	18	4-19
80	78	280	140	300	200	160	138	20	8-18	200	160	138	24	8-18	190	152.5	127	19	4-19
100	100	300	160	340	220	180	158	20	8-18	235	190	162	24	8-22	229	190.5	157	24	8-19

性能规范 Specifications

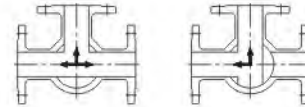
公称压力: PN 1.6,2.5,4.0,6.4MPa
强度试验压力: PT 2.4,3.8,6.0,9.6MPa
低压气密封试验压力: 0.6MPa
适用介质: Q41F-(16-64)C 水、油品、气
适用温度: -29~180°C
适用介质: Q41F-(16-64)P 硝酸类
Q41F-(16-64)R 醋酸类
适用温度: -29°C~180°C

Nominal pressure: PN 1.6,2.5,4.0,6.4MPa
Strength testing pressure: PT 2.4,3.8,6.0,9.6MPa
Seat testing pressure (low pressure): 0.6MPa
Applicable media:
Q41F-(16-64)C Water,Oil,Gas
Applicable temperature: -29~180°C
Applicable media:
Q41F-(16-64)P Nitric acid
Q41F-(16-64)R Acetic acid
Applicable temperature: -29°C~180°C

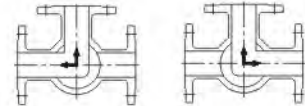
3-WAY BALL VALVE
(WCB, CF8, CF8M, Ti, Ni)
三通球阀



T型三通通口位置图
T Port Position



L型三通通口位置图
L Port Position



主要零件材料 Materials of main parts

材料名称 Material Name	碳钢 Carbon steel	不锈钢 Stainless steel	
阀体 Body	A216 WCB	A351 CF8	A351 CF8M
阀盖 Bonnet	A216 WCB	A351 CF8	A351 CF8M
球体 Ball	A276 304 / A276 316		
阀杆 Stem	2Cr13 / A276 304 / A276 316		
阀座 Seat	PTFE, RPTFE		
填料 Gland Packing	PTFE/柔性石墨 Flexible Graphite		
压盖 Gland	A216 WCB	A351 CF8	
螺栓 Bolt	A193-B7	A193-B8M	
螺母 Nut	A194-2H	A194-B	

主要外形尺寸 Main outer size(PN16)

DN(mm)	L	D	D1	D2	b	f	Z-Φd
15	150	95	65	45	14	2	4-14
20	160	105	75	55	14	2	4-14
25	180	115	85	65	14	2	4-14
32	200	140/135	100	78	16	2	4-18
40	220	150/145	110	85	16	3	4-18
50	240	165/160	125	100	16	3	4-18
65	260	185/180	145	120	18	3	4-18
80	280	200/195	160	135	20	3	8-18
100	320	220/215	180	155	20	3	8-18
125	380	250/245	210	185	22	3	8-18
150	440	285/280	240	210	24	3	8-23
200	550	340/335	295	265	26	3	12-23

设计标准 Design standards

设计依据: GB, ASME
设计标准: GB/T 12237, ASME B16.34
结构长度: GB/T 12221, ASME B16.10
连接法兰: GB/T 9113 JB 79, ASME B16.5
试验与检验: GB/T 12237 JB 9092, API 598

Design Reference: GB, ASME
Design Standard: GB/T 12237, ASME B16.34
Face to Face: GB/T 12221, ASME B16.10
Flanged Ends: GB/T 9113 JB 79, ASME B16.5
Test and Inspection: GB/T 12237 JB 9092, API 598

VESSEL VALVE / BAITING VALVE
(WCB, CF8, CF8M, Ti, Ni)
船用阀 / 罐底放料阀

罐底放料阀
Baiting Valve



船用阀
Vessel Valve



主要零件材料 Materials of main parts

零件名称 Description of Parts	C	P	R
阀体 Body	WCB	ZG1Cr18Ni9Ti CF8	ZG1Cr18Ni12Mo2Ti CF8M
阀盖 Bonnet	WCB	ZG1Cr18Ni9Ti CF8	ZG1Cr18Ni12Mo2Ti CF8M
球体 Ball	1Cr18Ni9Ti 304	1Cr18Ni9Ti 304	1Cr18Ni12Mo2Ti 316
阀杆 Stem	1Cr18Ni9Ti 304	1Cr18Ni9Ti 304	1Cr18Ni12Mo2Ti 316
密封圈 Sealing	聚四氟乙烯 Polytetrafluorethylene(PTFE)		
填料 Packing	聚四氟乙烯 Polytetrafluorethylene(PTFE)		

性能规范 Specifications

公称压力: PN1.6,2.5,4.0,6.4MPa
强度试验压力: PT2.4,3.8,6.0,9.6MPa
低压气密封试验压力: 0.6MPa
适用介质: 水、油品、气
适用温度: -29~180°C
适用介质: 硝酸类
醋酸类

Nominal pressure: PN1.6,2.5,4.0,6.4MPa
Strength testing pressure: PT2.4,3.8,6.0,9.6MPa
Seat testing pressure (low pressure): 0.6MPa
Applicable media:
Water,Oil,Gas
Applicable temperature: -29~180°C
Nitric acid
Acetic acid

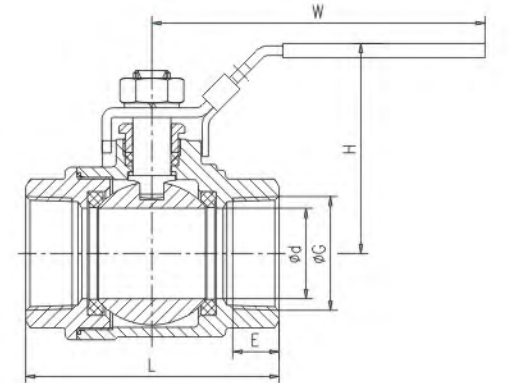


2PC TYPE BALL VALVE WITH INTERNAL THREAD
(WCB, CF8, CF8M)

二片式内螺纹球阀

① (1000 WOG-A)二片式内螺纹球阀
(1000 WOG-A)2PC Type Ball Valve
With Internal Thread
Q11F-(16-64)C、P、R

② (1000 WOG)二片式内螺纹球阀(DIN3202-M3)
(1000 WOG)2PC Type Ball Valve (DIN3202-M3)
With Internal Thread
Q11F-(16-64)C、P、R



THREAD, WELDING, QUICK RELEASE VALVE SERIES

02 螺纹、焊接、快装阀门系列

Products applicable to petroleum, chemical, natural gas, light industry, electric power, pharmaceuticals, dyes, metallurgy, fiber, leather, textile, food, military, construction, refrigeration, water supply and other industries.

主要零件材料 Materials of main parts

零件名称 Description of Parts	Q11F-(16-64)C	Q11F-(16-64)P	Q11F-(16-64)R
阀体 Body	WCB	ZG1Cr18Ni9Ti CF8	ZG1Cr18Ni12Mo2Ti CF8M
阀盖 Bonnet	WCB	ZG1Cr18Ni9Ti CF8	ZG1Cr18Ni12Mo2Ti CF8M
球体 Ball	1Cr18Ni9Ti 304	1Cr18Ni9Ti 304	1Cr18Ni12Mo2Ti 316
阀杆 Stem	1Cr18Ni9Ti 304	1Cr18Ni9Ti 304	1Cr18Ni12Mo2Ti 316
密封圈 Sealing	聚四氟乙烯 Polytetrafluorethylene(PTFE)		
填料 Packing	聚四氟乙烯 Polytetrafluorethylene(PTFE)		

主要外形尺寸 Main outer size

DN	G	d	L		E	H	W
			①	②-M3			
8	1/4"	10	55	55	11.5	50	95
10	3/8"	12	55	60	11.5	50	95
15	1/2"	15	63	75	14	55	105
20	3/4"	20	73	80	15	65	120
25	1"	25	84	90	15	72	140
32	1 1/4"	32	93	110	18	80	155
40	1 1/2"	38	106	120	19	95	170
50	2"	50	121	140	19	105	185
65	2 1/2"	64	152	185	23	120	220
80	3"	78	171	205	25	133	270
100	4"	100	204	240	28	156	315

性能规范 Specifications

公称压力: PN1.6,2.5,4.0,6.4MPa
强度试验压力: PT2.4,3.8,6.0,9.6MPa
低压气密封试验压力: 0.6MPa
适用介质: Q11F-(16-64)C 水、油品、气
适用温度: -29~180°C
适用介质: Q11F-(16-64)P 硝酸类
Q11F-(16-64)R 醋酸类

Nominal pressure: PN1.6,2.5,4.0,6.4MPa
Strength testing pressure: PT2.4,3.8,6.0,9.6MPa
Seat testing pressure (low pressure): 0.6MPa
Applicable media:
Q11F-(16-64)C Water,Oil,Gas
Applicable temperature: -29~180°C
Applicable media:
Q11F-(16-64)P Nitric acid
Q11F-(16-64)R Acetic acid

2PC TYPE BALL VALVE WITH INTERNAL THREAD
(WCB, CF8, CF8M)

二片式内螺纹球阀

③ (科技型)二片式内螺纹球阀
(Technology type)2PC Type Ball Valve
With Internal Thread
Q11F-(16-64)C、P、R

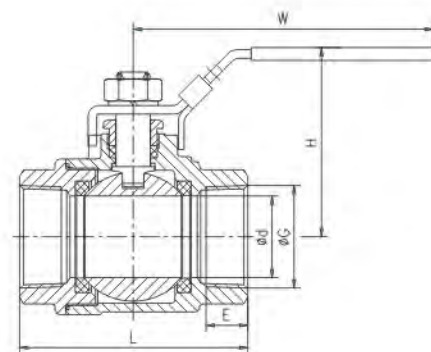


③

④ 二片式带检测孔内螺纹球阀
2PC Type With Test Hole Ball Valve
With Internal Thread
Q11F-(16-64)C、P、R



④



主要零件材料 Materials of main parts

零件名称 Description of Parts	Q11F-(16-64)C	Q11F-(16-64)P	Q11F-(16-64)R
阀体 Body	WCB	ZG1Cr18Ni9Ti CF8	ZG1Cr18Ni12Mo2Ti CF8M
阀盖 Bonnet	WCB	ZG1Cr18Ni9Ti CF8	ZG1Cr18Ni12Mo2Ti CF8M
球体 Ball	1Cr18Ni9Ti 304	1Cr18Ni9Ti 304	1Cr18Ni12Mo2Ti 316
阀杆 Stem	1Cr18Ni9Ti 304	1Cr18Ni9Ti 304	1Cr18Ni12Mo2Ti 316
密封圈 Sealing	聚四氟乙烯 Polytetrafluorethylene(PTFE)		
填料 Packing	聚四氟乙烯 Polytetrafluorethylene(PTFE)		

主要外形尺寸 Main outer size

DN	G	d	L	E	H	W
8	1/4"	10	57	14	58	80
10	3/8"	12	57	14	58	80
15	1/2"	15	57	14	58	95/80
20	3/4"	20	65	15	62	105/90
25	1"	25	76/79	15	72	120/110
32	1 1/4"	32	88/90	18	80	140/120
40	1 1/2"	38	97/98	19	90	155/130
50	2"	50	119/116	19	98	170/150

性能规范 Specifications

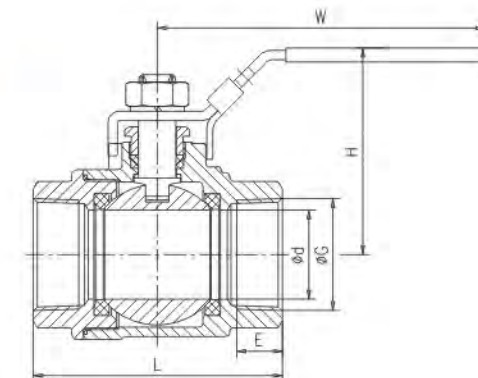
公称压力: PN1.6,2.5,4.0,6.4MPa
强度试验压力: PT2.4,3.8,6.0,9.6MPa
低压气密封试验压力: 0.6MPa
适用介质: Q11F-(16-64)C 水、油品、气
适用温度: -29~180°C
适用介质: Q11F-(16-64)P 硝酸类
Q11F-(16-64)R 醋酸类

Nominal pressure: PN1.6,2.5,4.0,6.4MPa
Strength testing pressure: PT2.4,3.8,6.0,9.6MPa
Seat testing pressure (low pressure): 0.6MPa
Applicable media:
Q11F-(16-64)C Water,Oil,Gas
Applicable temperature: -29~180°C
Applicable media:
Q11F-(16-64)P Nitric acid
Q11F-(16-64)R Acetic acid

2PC TYPE BALL VALVE WITH INTERNAL THREAD
(WCB, CF8, CF8M)

二片式内螺纹球阀

(2000 WOG-A)二片式内螺纹球阀
(2000 WOG-A)2PC Type Ball Valve
With Internal Thread
Q11F-(16-130)C、P、R



主要零件材料 Materials of main parts

零件名称 Description of Parts	Q11F-(16-64)C	Q11F-(16-64)P	Q11F-(16-64)R
阀体 Body	WCB	ZG1Cr18Ni9Ti CF8	ZG1Cr18Ni12Mo2Ti CF8M
阀盖 Bonnet	WCB	ZG1Cr18Ni9Ti CF8	ZG1Cr18Ni12Mo2Ti CF8M
球体 Ball	1Cr18Ni9Ti 304	1Cr18Ni9Ti 304	1Cr18Ni12Mo2Ti 316
阀杆 Stem	1Cr18Ni9Ti 304	1Cr18Ni9Ti 304	1Cr18Ni12Mo2Ti 316
密封圈 Sealing	聚四氟乙烯 Polytetrafluorethylene(PTFE)		
填料 Packing	聚四氟乙烯 Polytetrafluorethylene(PTFE)		

主要外形尺寸 Main outer size

DN	G	d	L	E	H	W
8	1/4"	10	55	11.5	50	95
10	3/8"	12	55	11.5	50	95
15	1/2"	15	63	14	55	105
20	3/4"	20	73	15	65	120
25	1"	25	84	15	72	140
32	1 1/4"	32	98	18	80	155
40	1 1/2"	38	106	19	95	170
50	2"	50	121	19	105	185
65	2 1/2"					
80	3"					
100	4"					

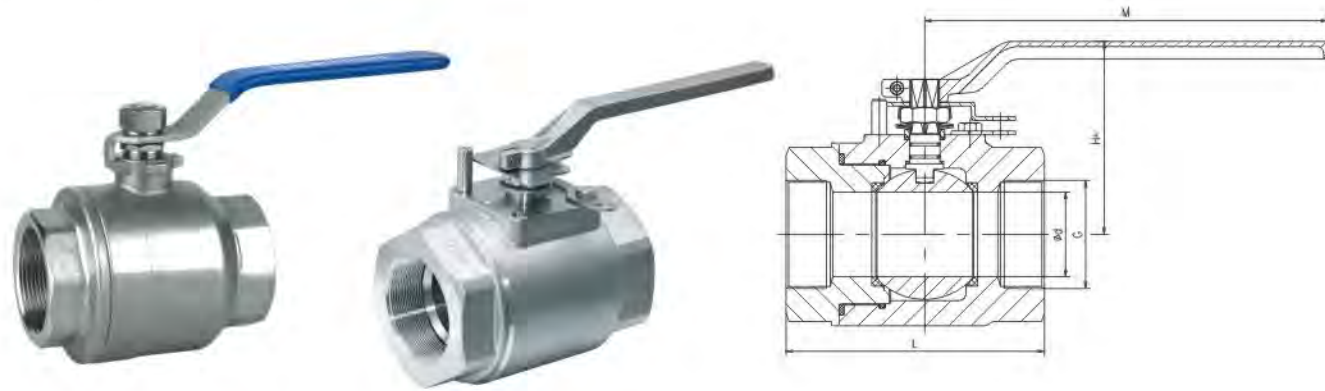
性能规范 Specifications

公称压力: PN1.6,2.5,4.0,6.4MPa
强度试验压力: PT2.4,3.8,6.0,9.6MPa
低压气密封试验压力: 0.6MPa
适用介质: Q11F-(16-64)C 水、油品、气
适用温度: -29~180°C
适用介质: Q11F-(16-64)P 硝酸类
Q11F-(16-64)R 醋酸类

Nominal pressure: PN1.6,2.5,4.0,6.4MPa
Strength testing pressure: PT2.4,3.8,6.0,9.6MPa
Seat testing pressure (low pressure): 0.6MPa
Applicable media:
Q11F-(16-64)C Water,Oil,Gas
Applicable temperature: -29~180°C
Applicable media:
Q11F-(16-64)P Nitric acid
Q11F-(16-64)R Acetic acid

3000WOG TYPE OF BALL VALVE
(WCB, CF8, CF8M, LCC, LF2)
高压球阀

高压阀门系列
High pressure valve series



主要零件材料 Materials of main parts

材料名称 Material Name	碳钢 Carbon steel	不锈钢 Stainless steel		锻钢 Forged steel
阀体 Body	A216 WCB A352 LCB A352 LCC	A351 CF8	A351 CF8M	A105 A350 LF2
阀盖 Bonnet				
球体 Ball	A276 304 / A276 316			
阀杆 Stem	2Cr13 / A276 304 / A276 316			
阀座 Seat	PTFE, CTFE, PEEK, DELBIN			
填料 Gland Packing	PTFE/柔性石墨 PTFE / Flexible Graphite			
压盖 Gland	A216 WCB	A351 CF8		A216 WCB
螺栓 Bolt	A193-B7	A193-B8M		A193-B7
螺母 Nut	A194-2H	A194-8		A194-2H

主要外形尺寸 Main outer size

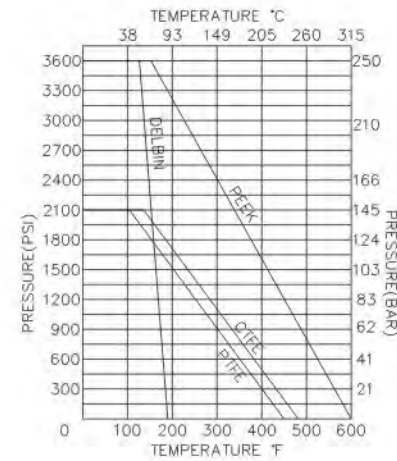
DN(mm)	G	d	L	H	W
15	1/2"	15	65	64	130
20	3/4"	20	74	68	130
25	1"	25	85	77	165
32	1 1/4"	32	100	87	165
40	1 1/2"	36	108	95	210
50	2"	48	130	105	210
65	2 1/2"	50	185	120	210
80	3"	64	205	132	280

如需其他标准参数请与本公司联系
If you need other standard specification, please contact us

技术规范 Technical Specifications

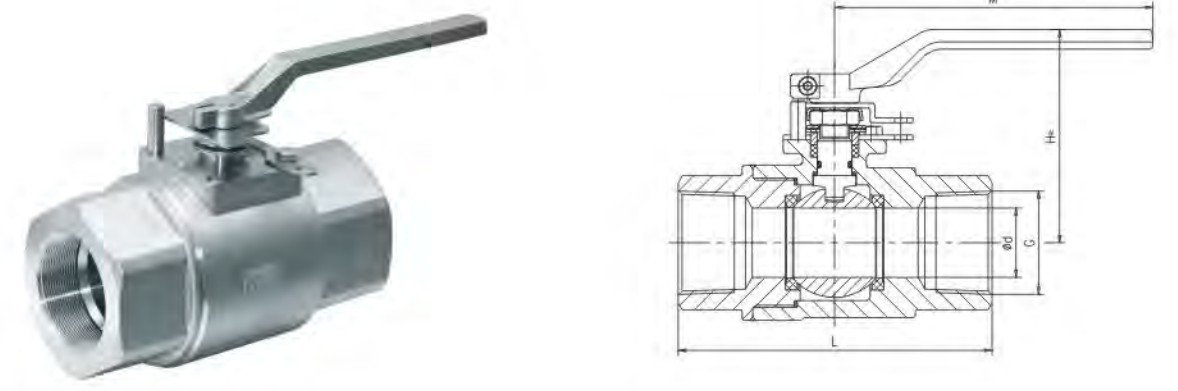
设计标准: ASME B16.34
结构长度: DIN3202-M3
连接标准: ASBE M20.11(NPT), DIN2999&BS21,
ISO228/1&ISO7/1
试验与检验: API 598

Design Standard: ASME B16.34
Face to Face: DIN3202-M3
End Connections: ASBE M20.11(NPT), DIN2999&BS21,
ISO228/1&ISO7/1
Test and Inspection: API 598



6000WOG TYPE OF BALL VALVE
(WCB, CF8, CF8M, LCC, LF2)
高压球阀

高压阀门系列
High pressure valve series



主要零件材料 Materials of main parts

材料名称 Material Name	碳钢 Carbon steel	不锈钢 Stainless steel		锻钢 Forged steel
阀体 Body	A216 WCB A352 LCB A352 LCC	A351 CF8	A351 CF8M	A105 A350 LF2
阀盖 Bonnet				
球体 Ball	A276 304 / A276 316			
阀杆 Stem	2Cr13 / A276 304 / A276 316			
阀座 Seat	PTFE, CTFE, PEEK, DELBIN			
填料 Gland Packing	PTFE/柔性石墨 PTFE / Flexible Graphite			
压盖 Gland	A216 WCB	A351 CF8		A216 WCB

主要外形尺寸 Main outer size

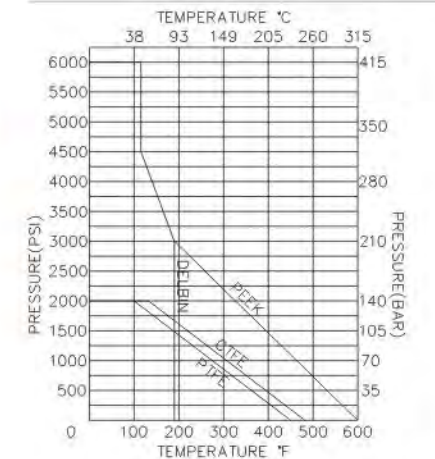
DN(mm)	G	d	L	H	W	SW
15	1/2"	15	111	85	130	38
20	3/4"	20	111	85	130	48
25	1"	25	133	94	165	55
32	1 1/4"	32	133	94	165	55
40	1 1/2"	36	163	100	210	77
50	2"	48	188	135	210	92

如需其他标准参数请与本公司联系
If you need other standard specification, please contact us

技术规范 Technical Specifications

设计标准: ASME B16.34
结构长度: DIN3202-M3
连接标准: ASBE M20.11(NPT), DIN2999&BS21,
ISO228/1&ISO7/1
试验与检验: API 598

Design Standard: ASME B16.34
Face to Face: DIN3202-M3
End Connections: ASBE M20.11(NPT), DIN2999&BS21,
ISO228/1&ISO7/1
Test and Inspection: API 598



1PC TYPE BALL VALVE WITH INTERNAL THREAD
(WCB, CF8, CF8M)

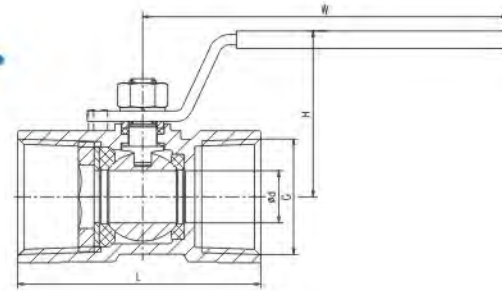
一片式内螺纹球阀

① (1000 WOG)一片式内螺纹球阀
(1000 WOG)1PC Type Ball Valve With Internal Thread
Q11F-(16-64)C、P、R

② (1000 WOG)一片式球阀蝶形手柄
(1000 WOG)1PC Type Ball Valve With Internal Thread Butterfly handle
Q11F-(16-64)C、P、R

③ 带检测孔一片式球阀
1PC Ball Valve With Test Hole

④ (2000WOG)一片式防火球阀
1PC Fire Ball Valve



主要零件材料 Materials of main parts

零件名称 Description of Parts	Q11F-(16-64)C	Q11F-(16-64)P	Q11F-(16-64)R
阀体 Body	WCB	ZG1Cr18Ni9Ti CF8	ZG1Cr18Ni12Mo2Ti CF8M
球体 Ball	1Cr18Ni9Ti 304	1Cr18Ni9Ti 304	1Cr18Ni12Mo2Ti 316
阀杆 Stem	1Cr18Ni9Ti 304	1Cr18Ni9Ti 304	1Cr18Ni12Mo2Ti 316
密封圈 Sealing	聚四氟乙烯 Polytetrafluorethylene(PTFE)		
填料 Packing	聚四氟乙烯 Polytetrafluorethylene(PTFE)		

主要外形尺寸 Main outer size

DN	G	d	L			H	W
			1	M3	2		
8	1/4"	5	40	34	70		
10	3/8"	7	45	36	70		
15	1/2"	9	55	39	80		
20	3/4"	12	60	43	90		
25	1"	15	70	46	105		
32	1 1/4"	20	80	53	120		
40	1 1/2"	25	86	59	130		
50	2"	32	101	65	145		
65	2 1/2"	38	117	74	170		
80	3"	49	140	105	185		
100	4"	64	186	115	220		

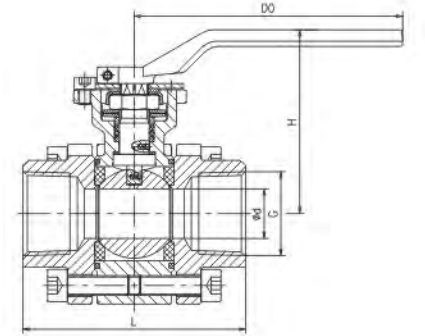
性能规范 Specifications

公称压力: PN1.6,2.5,4.0,6.4MPa
强度试验压力: PT2.4,3.8,6.0,9.6MPa
低压气密封试验压力: 0.6MPa
适用介质: Q11F-(16-64)C 水、油品、气
适用温度: -29~180°C
适用介质: Q11F-(16-64)P 硝酸类
Q11F-(16-64)R 醋酸类

Nominal pressure: PN1.6,2.5,4.0,6.4MPa
Strength testing pressure: PT2.4,3.8,6.0,9.6MPa
Seat testing pressure (low pressure): 0.6MPa
Applicable media:
Q11F-(16-64)C Water,Oil,Gas
Applicable temperature: -29~180°C
Applicable media:
Q11F-(16-64)P Nitric acid
Q11F-(16-64)R Acetic acid

1000WOG 3PC TYPE BALL VALVE WITH INTERNAL THREAD
(WCB, CF8, CF8M)

三片式内螺纹球阀



主要零件材料 Materials of main parts

材料名称 Material Name	碳钢 Carbon steel	不锈钢 Stainless steel	锻钢 Forged steel
阀体 Body	A216 WCB	A351 CF8 A351 CF8M	A105
阀盖 Bonnet	A216 WCB	A351 CF8 A351 CF8M	A105
球体 Ball	A276 304 / A276 316		
阀杆 Stem	2Cr13 / A276 304 / A276 316		
阀座 Seal	PTFE、RPTFE		
填料 Gland Packing	PTFE/柔性石墨 PTFE / Flexible Graphite		
压盖 Gland	A216 WCB	A351 CF8	A216 WCB
螺栓 Bolt	A193-B7	A193-B8M	A193-B7
螺母 Nut	A194-2H	A194-8	A194-2H

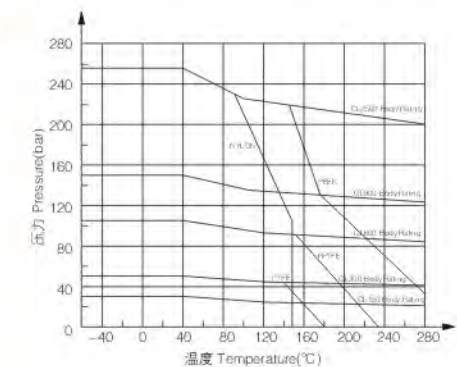
主要外形尺寸 Main outer size

DN(mm)	G	d	L			H	W
			1	M3	2		
8	1/4"	10	65			50	95
10	3/8"	12	65			50	95
15	1/2"	15	75	75	61	55	105
20	3/4"	20	80	80	69	60	120
25	1"	25	90	90	80	70	140
32	1 1/4"	32	110	110	96	82	155
40	1 1/2"	38	120	120	104	90	170
50	2"	50	140	140	125	105	220
65	2 1/2"	64	160	185		120	245
80	3"	78	180	205		132	270
100	4"	100	215	240		160	315

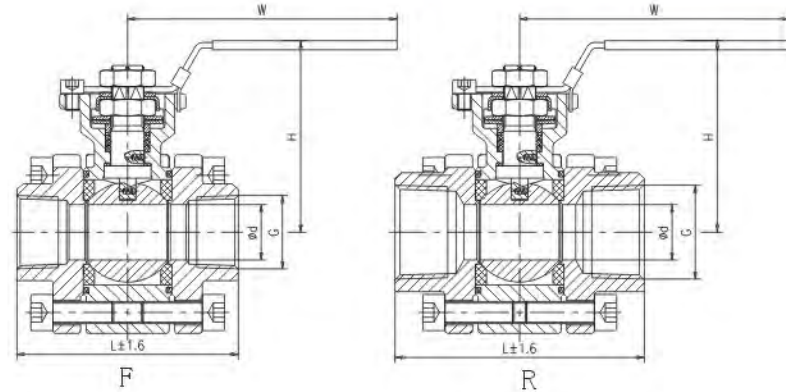
如需其他标准参数请与本公司联系
If you need other standard specification, please contact us.

设计标准 Design standards

设计标准: ASME B16.34
结构长度: DIN3202-M3
连接标准: ASME B12.01(NPT)、DIN2999&BS21、ISO228/1&ISO7/1
试验与检验: API
Design Standard: ASME B16.34
Face to Face: DIN3202-M3
End Connections: ASME B12.01(NPT)、DIN2999&BS21、ISO228/1&ISO7/1
Test and Inspection: API



3PC TYPE BALL VALVE WITH INTERNAL THREAD
(WCB, CF8, CF8M, LCC, LF2)
2000/3000WOG三片式球阀



主要零件材料 Materials of main parts

材料名称 Material Name	碳钢 Carbon steel	不锈钢 Stainless steel		锻钢 Forged steel
阀体 Body	A216 WCB	A351 CF8	A351 CF8M	A105
阀盖 Bonnet	A216 WCB	A351 CF8	A351 CF8M	A105
球体 Ball	A276 304/A276 316			
阀杆 Stem	2Cr13/A276 304/A276 316			
阀座 Seat	PTFE, RPTFE			
填料 Gland Packing	PTFE/柔性石墨 PTFE / Flexible Graphite			
压盖 Gland	A216 WCB	A351 CF8		A216 WCB
螺栓 Bolt	A193-B7	A193-B8M		A193-B7
螺母 Nut	A194-2H	A194-8		A194-2H

主要外形尺寸 Main outer size

DN(mm)	G	d	L	H	W
8F	1/4"	8	65	66	100
10F	3/8"	10	65	66	100
15F	1/2"	14	75	66	100
20F	3/4"	20	80	73	115
25F	1"	25	90	87	140
32F	1 1/4"	32	110	91	140
40F	1 1/2"	36	120	105	180
50F	2"	50	140	113	190

DN(mm)	G	d	L	H	W
15R	3/4"	14	75	66	100
20R	1"	20	80	73	115
25R	1 1/4"	25	90	87	140
32R	1 1/2"	32	110	91	140
40R	2"	36	120	105	180
50R	2 1/2"	50	140	113	190

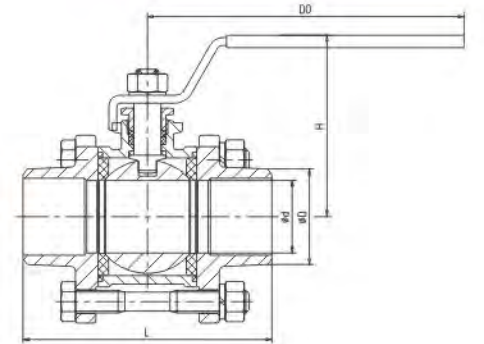
如需其他标准参数请与本公司联系
If you need other standard specification, please contact us.

技术规范 Technical specification

设计标准: ASME B16.34
结构长度: DIN3202-M3
连接标准: ASME B12.01(NPT), DIN2999&BS21, ISO228/1&ISO7/1
试验与检验: API 598

Design Standard: ASME B16.34
Face to Face: DIN3202-M3
End Connections: ASME B12.01(NPT), DIN2999&BS21, ISO228/1&ISO7/1
Test and Inspection: API 598

3PC TYPE WELDED BALL VALVE
(WCB, CF8, CF8M)
三片式焊接球阀



主要零件材料 Materials of main parts

材料名称 Material Name	碳钢 Carbon steel	不锈钢 Stainless steel		锻钢 Forged steel
阀体 Body	A216 WCB	A351 CF8	A351 CF8M	A105
阀盖 Bonnet	A216 WCB	A351 CF8	A351 CF8M	A105
球体 Ball	A276 304 / A276 316			
阀杆 Stem	2Cr13 / A276 304 / A276 316			
阀座 Seal	PTFE, RPTFE			
填料 Gland Packing	PTFE/柔性石墨 PTFE / Flexible Graphite			
压盖 Gland	A216 WCB	A351 CF8		A216 WCB
螺栓 Bolt	A193-B7	A193-B8M		A193-B7
螺母 Nut	A194-2H	A194-8		A194-2H

主要外形尺寸 Main outer size

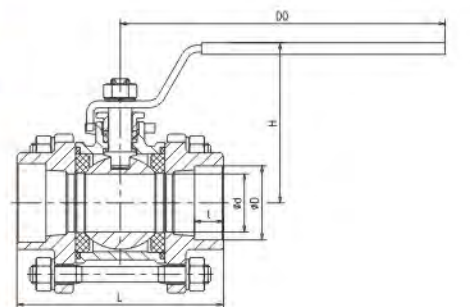
DN(mm)	d	D	D1	t	L	H	DO
8	10	13.5	14.6	9.5	65	50	90
10	12	17.5	18	9.5	65	50	90
15	15	22	22.2	9.5	75/61	55	100
20	20	27	27.6	12.5	80/69	60	120
25	25	34	34.3	12.5	90/80	70	140
32	32	42.5	43.1	12.5	110/96	82	140
40	38	48.5	49.2	12.5	120/104	90	180
50	50	61	61.7	16	140/125	105	200
65	64	73	74.4	16	160	120	220
80	78	90	90.3	16	180	132	240
100	100	115	115.7	19	215	160	300

如需其他标准参数请与本公司联系
If you need other standard specification, please contact us.

设计标准 Design standards

设计标准: ASME B16.34
结构长度: DIN3202-M3
连接标准: ASME B16.25 & DIN3239part1, ASME B16.11 & DIN3239part2
试验与检验: API 598

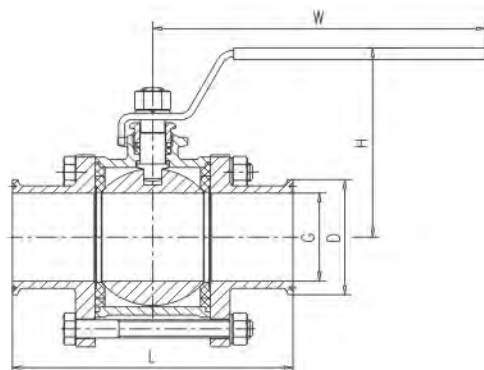
Design Standard: ASME B16.34
Face to Face: DIN3202-M3
End Connections: ASME B16.25 & DIN3239part1, ASME B16.11 & DIN3239part2
Test and Inspection: API 598



CLAMPED-PACKAGE BALL VALVE
(CF8, CF8M, CF3, CF3M)

卫生级快装球阀

三片式快装球阀
3PC Clamped-package Ball Valve
Q81F-(6-25)C、P、R



主要零件材料 Materials of main parts

零件名称 Description of Parts	Q81F-(6-25)C	Q81F-(6-25)P	Q81F-(6-25)R
阀体 Body	WCB	ZG1Cr18Ni9Ti CF8	ZG1Cr18Ni12Mo2Ti CF8M
阀盖 Bonnet	WCB	ZG1Cr18Ni9Ti CF8	ZG1Cr18Ni12Mo2Ti CF8M
球体 Ball	1Cr18Ni9Ti 304	1Cr18Ni9Ti 304	1Cr18Ni12Mo2Ti 316
阀杆 Stem	1Cr18Ni9Ti 304	1Cr18Ni9Ti 304	1Cr18Ni12Mo2Ti 316
密封圈 Sealing	聚四氟乙烯 Polytetrafluorethylene(PTFE)		
填料 Packing	聚四氟乙烯 Polytetrafluorethylene(PTFE)		

主要外形尺寸 Main outer size

DN	G	D	L	H	W
15	1/2"	34/50.5	100	55	100
20	3/4"	34/50.5	100	60	120
25	1"	50.5	120	70	140
32	1 1/4"	50.5	130	82	140
40	1 1/2"	50.5	140	90	180
50	2"	64	156	105	200
65	2 1/2"	91	196	120	220
80	3"	106	228	132	240

性能规范 Specifications

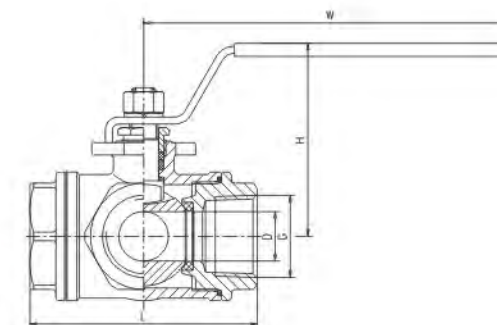
公称压力: PN0.6,1.0,1.6,2.0,2.5MPa
强度试验压力: PT0.9,1.5,2.4,3.0,3.8MPa
低压气密封试验压力: 0.6MPa
适用介质: Q81F-(6-25)C 水、油品、气
适用温度: -29~180°C
适用介质: Q81F-(6-25)P 硝酸类
Q81F-(6-25)R 醋酸类

Nominal pressure: PN0.6,1.0,1.6,2.0,2.5MPa
Strength testing pressure: PT0.9,1.5,2.4,3.0,3.8MPa
Seat testing pressure (low pressure): 0.6MPa
Applicable media:
Q81F-(6-25)C Water,Oil,Gas
Applicable temperature: -29~180°C
Applicable media:
Q81F-(6-25)P Nitric acid
Q81F-(6-25)R Acetic acid

FEMALE 3 WAY BALL VALVE
(WCB, CF8, CF8M)

内螺纹三通球阀

(1000 WOG) T/L型内螺纹三通球阀
(1000 WOG) Female 3 Way Ball Valve
Q15F-(16-64)C、P、R



主要零件材料 Materials of main parts

零件名称 Description of Parts	Q15F-(16-64)C	Q15F-(16-64)P	Q15F-(16-64)R
阀体 Body	WCB	ZG1Cr18Ni9Ti CF8	ZG1Cr18Ni12Mo2Ti CF8M
阀盖 Bonnet	WCB	ZG1Cr18Ni9Ti CF8	ZG1Cr18Ni12Mo2Ti CF8M
球体 Ball	1Cr18Ni9Ti 304	1Cr18Ni9Ti 304	1Cr18Ni12Mo2Ti 316
阀杆 Stem	1Cr18Ni9Ti 304	1Cr18Ni9Ti 304	1Cr18Ni12Mo2Ti 316
密封圈 Sealing	聚四氟乙烯 Polytetrafluorethylene(PTFE)		
填料 Packing	聚四氟乙烯 Polytetrafluorethylene(PTFE)		

主要外形尺寸 Main outer size

DN	G	L	d	H	W
8	1/4"	71	10	56	110
10	3/8"	71	12	56	110
15	1/2"	74	12	58	110
20	3/4"	88	15	60	120
25	1"	92	20	70	140
32	1 1/4"	124	25	82	140
40	1 1/2"	138	32	95	180
50	2"	154	38	100	200

性能规范 Specifications

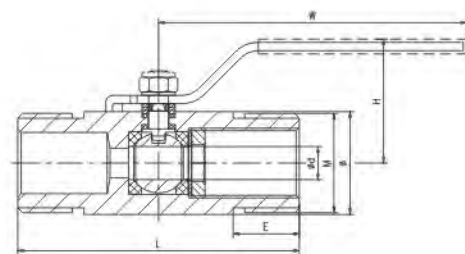
公称压力: PN1.6,2.5,4.0,6.4MPa
强度试验压力: PT2.4,3.8,6.0,9.6MPa
低压气密封试验压力: 0.6MPa
适用介质: Q15F-(16-64)C 水、油品、气
适用温度: -29~180°C
适用介质: Q15F-(16-64)P 硝酸类
Q15F-(16-64)R 醋酸类

Nominal pressure: PN1.6,2.5,4.0,6.4MPa
Strength testing pressure: PT2.4,3.8,6.0,9.6MPa
Seat testing pressure (low pressure): 0.6MPa
Applicable media:
Q15F-(16-64)C Water,Oil,Gas
Applicable temperature: -29~180°C
Applicable media:
Q15F-(16-64)P Nitric acid
Q15F-(16-64)R Acetic acid

TYPE THREAD BALL VALVE
(WCB, CF8, CF8M)

内外螺纹球阀

- ① 二片式内外螺纹球阀
2PC Thread Ball Valve(female-male)
- ② 二片式外螺纹球阀(A105、304、316)
2PC Double Male Ball Valve
Q21F-(16-64)C、P、R
- ③ 圆棒式外螺纹球阀(A105、304、316)
Double Male Ball Valve(bar stock)
Q21F-(16-64)C、P、R



主要零件材料 Materials of main parts

零件名称 Description of Parts	Q21F-(16-64)C	Q21F-(16-64)P	Q21F-(16-64)R
阀体 Body	WCB	ZG1Cr18Ni9Ti CF8	ZG1Cr18Ni12Mo2Ti CF8M
阀盖 Bonnet	WCB	ZG1Cr18Ni9Ti CF8	ZG1Cr18Ni12Mo2Ti CF8M
球体 Ball	1Cr18Ni9Ti 304	1Cr18Ni9Ti 304	1Cr18Ni12Mo2Ti 316
阀杆 Stem	1Cr18Ni9Ti 304	1Cr18Ni9Ti 304	1Cr18Ni12Mo2Ti 316
密封圈 Sealing	聚四氟乙烯 Polytetrafluorethylene(PTFE)		
填料 Packing	聚四氟乙烯 Polytetrafluorethylene(PTFE)		

主要外形尺寸 Main outer size Q21F-(16-64)C、P、R

DN	d	L	M	E	φ	H	W
8	8	85	20×1.5	15	22	40	105
10	8	85	24×1.5	16	26.5	42	105
15	10.5	85	30×2	18	31	45	110
20	13	90	36×2	18	37	48	110
25	17	100	42×2	20	43	43	110
32	22	120	52×2	20	53	64	135
40	26	135	60×3	25	62	75	160
50	32	140	72×3	25	73	79	170

性能规范 Specifications

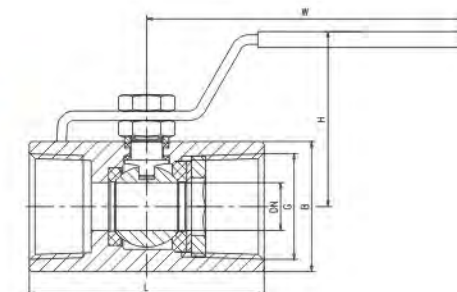
公称压力: PN1.6,2.5,4.0,6.4MPa
强度试验压力: PT2.4,3.8,6.0,9.6MPa
低压气密封试验压力: 0.6MPa
适用介质: Q21F-(16-64)C 水、油品、气
适用温度: -29~180℃
适用介质: Q21F-(16-64)P 硝酸类
Q21F-(16-64)R 醋酸类

Nominal pressure: PN1.6,2.5,4.0,6.4MPa
Strength testing pressure: PT2.4,3.8,6.0,9.6MPa
Seat testing pressure (low pressure): 0.6MPa
Applicable media:
Q21F-(16-64)C Water,Oil,Gas
Applicable temperature: -29~180℃
Applicable media:
Q21F-(16-64)P Nitric acid
Q21F-(16-64)R Acetic acid

BALL VALVE WITH INTERNAL THREAD
(WCB, CF8, CF8M)

内螺纹球阀

- ① (1000WOG)内螺纹球阀
(1000WOG)ball Valve With
Internal Thread (Bar stock)
Q11F-(16-64)C、P、R
- ② (2000WOG)六角内螺纹球阀
(A105、304、316)
Ball Valve With Internal Thread
(Hex type 2000 WOG)
Q11F-(150-800LB)C、P、R



① (1000WOG)主要外形尺寸 Main outer size

DN	G	d	L	φ	E	H	W
8	1/4"	5	48	20	11.5	32	65
10	3/8"	8	55	26.5	11.5	42	85
15	1/2"	10.5	60	32	14	45	95
20	3/4"	13	65	38	15	48	110
25	1"	17	73	44	15	53	110
32	1 1/2"	22	88.5	53	18	64	140
40	1 1/2"	25	95	61	19	75	140
50	2"	32	108	73.5	19	79	155
65	2 1/2"	40	132	88.5	23	90	180
80	3"	50	150	105	27	100	220
100	4"	64	188	135	29	115	220

② (2000WOG)主要外形尺寸 Main outer size

NOMINAL SIZE	H	L	d	B	W
1/4"	35	43	5	21	80
3/8"	35	47	7	25	85
1/2"	40	62	9	30	85
3/4"	48	70	12	36	90
1"	54	86	15	46	100
1 1/4"	60	94	20	55	110
1 1/2"	72	101	25	60	130
2"	80	114	32	75	145

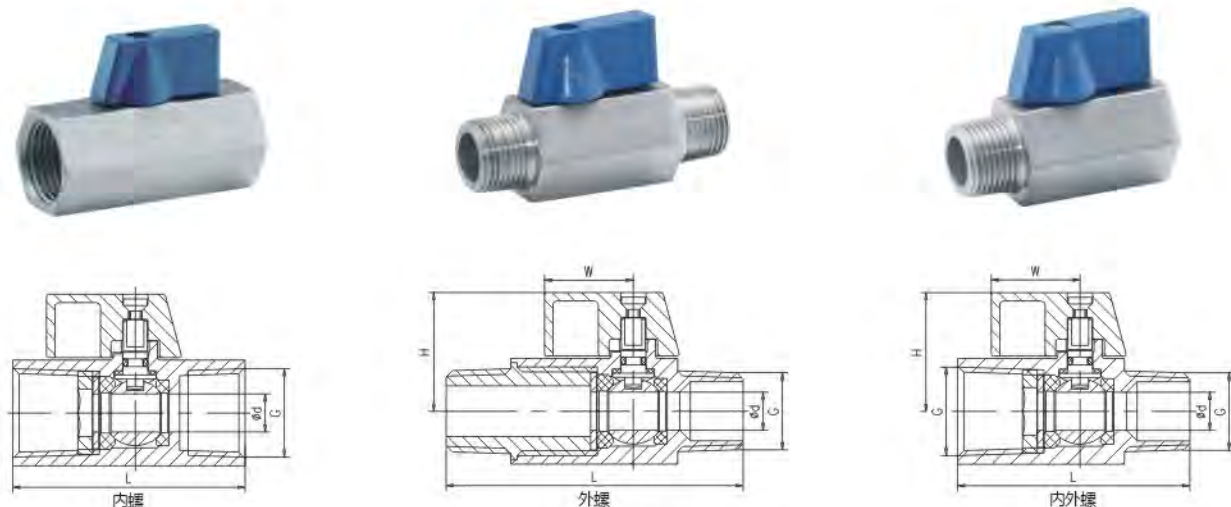
性能规范 Specifications

① 公称压力: PN1.6,2.5,4.0,6.4MPa
强度试验压力: PT2.4,3.8,6.0,9.6MPa
低压气密封试验压力: 0.6MPa
适用介质: Q11F-(16-64)C 水、油品、气
适用温度: -29~180℃
适用介质: Q11F-(16-64)P 硝酸类
Q11F-(16-64)R 醋酸类
适用温度: -40~180℃

Nominal pressure: PN1.6,2.5,4.0,6.4MPa
Strength testing pressure: PT2.4,3.8,6.0,9.6MPa
Seat testing pressure (low pressure): 0.6MPa
Applicable media:
Q11F-(16-64)C Water,Oil,Gas
Applicable temperature: -29~180℃
Applicable media:
Q11F-(16-64)P Nitric acid
Q11F-(16-64)R Acetic acid

② 适用介质: Applicable media:
Q11F-(16-140)C 水、油品、气 Water,Oil,Gas
(2000WOG)C
适用温度: -29~180℃ Applicable temperature: -29~180℃
适用介质: Applicable media:
Q11F-(16-140)P 硝酸类 Nitric acid
(2000WOG)P
Q11F-(16-140)R 醋酸类 Acetic acid
(2000WOG)R

MINI BALL VALVE
(WCB, CF8, CF8M)
迷你球阀



主要零件材料 Materials of main parts

内螺DN(mm)	G	d	L	H	W
8	1/4"	5	42	25	21
10	3/8"	7	45	27	21
15	1/2"	9	55	28.5	21
20	3/4"	12	56	33	22
25	1"	15	66	35.5	22

如需其他标准参数请与本公司联系
If you need other standard specification, please contact us

外螺DN(mm)	G	d	L	H	W
8	1/4"	5	57	25	21
10	3/8"	7	60	27	21
15	1/2"	9	71	28.5	21
20	3/4"	12	72	33	22
25	1"	15	83	35.5	22

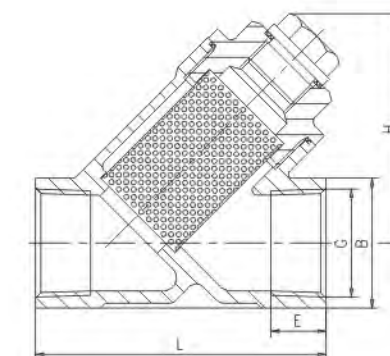
如需其他标准参数请与本公司联系
If you need other standard specification, please contact us

内外螺DN(mm)	G	d	L	H	W
8	1/4"	5	46	25	21
10	3/8"	7	48	27	21
15	1/2"	9	56	28.5	21
20	3/4"	12	56	33	22
25	1"	15	66	35.5	22

如需其他标准参数请与本公司联系
If you need other standard specification, please contact us

Y-TYPE FEMALE STRAINER
(WCB, CF8, CF8M)
Y型内螺纹过滤器

- ① Y型内螺纹过滤器
Y-type Female Strainer
SY11-(16-64)C、P、R
- ② Y型内螺纹过滤器带排污口
Y-type Female Strainer
(with end cap plug)
SY11-(16-64)C、P、R



技术规范 Technical specification

设计标准: ASME B16.34
连接标准: ASME B1.20.1(NPT)
DIN2999 & BS21, ISO228/1&ISO7/1
试验与检验: API 598
Design Standard: ASME B16.34
End Connections: ASME B1.20.1(NPT)
DIN2999 & BS21, ISO228/1&ISO7/1
Test and Inspection: API 598

主要零件材料 Materials of main parts

材料名称 Material Name	不锈钢 Stainless steel		锻钢 Forged steel	
阀体 Body	A351 CF8	A351 CF8M	F304	F316
球体 Ball	A276 304/A276 316			
阀杆 Stem	2Cr13/A276 304/A276 316			
阀座 Seal	PTFE, RPTFE			

主要零件材料 Materials of main parts

零件名称 Description of Parts	SY11-(16-64)C	SY11-(16-64)P	SY11-(16-64)R
阀体 Body	WCB	ZG1Cr18Ni9Ti CF8	ZG1Cr18Ni12Mo2Ti CF8M
阀盖 Bonnet	WCB	ZG1Cr18Ni9Ti CF8	ZG1Cr18Ni12Mo2Ti CF8M
过滤网 Mesh	1Cr18Ni9Ti 304	1Cr18Ni9Ti 304	1Cr18Ni12Mo2Ti 316
垫片 Gasket	聚四氟乙烯 Polytetrafluorethylene(PTFE)		

主要外形尺寸 Main outer size

DN	G	L	E	B	H
8	1/4"	64	12	24	44
10	3/8"	64	12	24	44
15	1/2"	64	14	26	44
20	3/4"	75	15	32	52
25	1"	89	17	41	64
32	1 1/4"	102	20	49	68
40	1 1/2"	118	20	56	76
50	2"	139	22	69	88
65	2 1/2"	180	28	84	110
80	3"	200	32	98	135

性能规范 Specifications

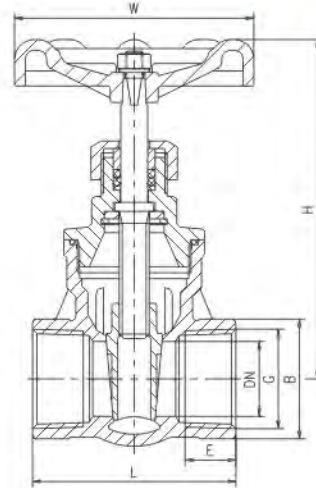
公称压力: PN1.6,2.5,4.0,6.4MPa
强度试验压力: PT2.4,3.8,6.0,9.6MPa
适用介质: SY11-(16-64)C 水、油品、气
适用温度: -29~180°C
适用介质: SY11-(16-64)P 硝酸类
SY11-(16-64)R 醋酸类

Nominal pressure: PN1.6,2.5,4.0,6.4MPa
Strength testing pressure: PT2.4,3.8,6.0,9.6MPa
Applicable media:
SY11-(16-64)C Water,Oil,Gas
Applicable temperature: -29~180°C
Applicable media:
SY11-(16-64)P Nitric acid
SY11-(16-64)R Acetic acid

STAINLESS STEEL FEMALE GATE VALVE
(WCB, CF8, CF8M)

不锈钢内螺纹闸阀

内螺纹闸阀
Stainless Steel Female Gate Valve
Z15W-(16-64)C、P、R



主要零件材料 Materials of main parts

零件名称 Description of Parts	Z15H-(16-64)C	Z15W-(16-64)P	Z15W-(16-64)R
阀体 Body	WCB	ZG1Cr18Ni9Ti CF8	ZG1Cr18Ni12Mo2Ti CF8M
闸板 Disc	WCB	ZG1Cr18Ni9Ti CF8	ZG1Cr18Ni12Mo2Ti CF8M
闸杆 Stem	1Cr18Ni9Ti 304	1Cr18Ni9Ti 304	1Cr18Ni12Mo2Ti 316
密封 Sealing	304,316		
填料 Packing	聚四氟乙烯 Polytetrafluorethylene(PTFE)		

主要外形尺寸 Main outer size

DN	G	L	E	B	H	W
15	1/2"	55	16	31	90	70
20	3/4"	60	18	38	98	70
25	1"	68	20	46	108	70
32	1 1/4"	76	21.5	56	128	80
40	1 1/2"	80	23	63	152	100
50	2"	93	24.5	76	166	100

性能规范 Specifications

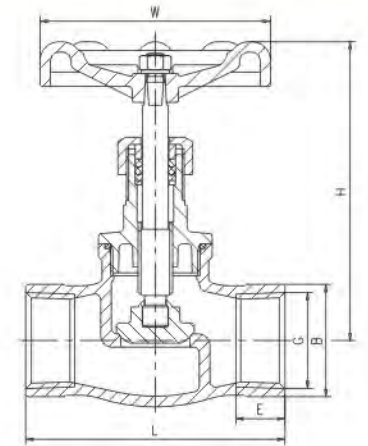
公称压力: PN1.6,2.5,4.0,6.4MPa
强度试验压力: PT2.4,3.8,6.0,9.6MPa
高压密封试验压力: 1.8,2.8,4.4,7.1MPa
适用介质: Z15H-(16-64)C 水、油品、气
适用温度: -29~180°C
适用介质: Z15W-(16-64)P 硝酸类
Z15W-(16-64)R 醋酸类

Nominal pressure: PN1.6,2.5,4.0,6.4MPa
Strength testing pressure: PT2.4,3.8,6.0,9.6MPa
Seat testing pressure (high pressure): 1.8,2.8,4.4,7.1MPa
Applicable media:
Z15H-(16-64)C Water,Oil,Gas
Applicable temperature: -29~180°C
Applicable media:
Z15W-(16-64)P Nitric acid
Z15W-(16-64)R Acetic acid

AMERICAN TYPE FEMALE GLOBE VALVE
(WCB, CF8, CF8M)

美式内螺纹截止阀

美式内螺纹截止阀
American Type Female
Globe Valve
J11W-(16-64)C、P、R



主要零件材料 Materials of main parts

零件名称 Description of Parts	J11H-(16-64)C	J11W-(16-64)P	J11W-(16-64)R
阀体 Body	WCB	ZG1Cr18Ni9Ti CF8	ZG1Cr18Ni12Mo2Ti CF8M
阀盖 Bonnet	WCB	ZG1Cr18Ni9Ti CF8	ZG1Cr18Ni12Mo2Ti CF8M
闸瓣 Disc	ZG1Cr18Ni9Ti CF8	ZG1Cr18Ni9Ti CF8	ZG1Cr18Ni12Mo2Ti CF8M
闸杆 Stem	1Cr18Ni9Ti 304	1Cr18Ni9Ti 304	1Cr18Ni12Mo2Ti 316
密封 Sealing	304,316		
填料 Packing	聚四氟乙烯 Polytetrafluorethylene(PTFE)		

主要外形尺寸 Main outer size

DN	G	L	E	B	H	W
8	1/4"	65	15	23	80	70
10	3/8"	65	15	26	80	70
15	1/2"	65	16	31	88	70
20	3/4"	75	18	38	95	70
25	1"	90	20	46	110	80
32	1 1/4"	105	21.5	56	128	100
40	1 1/2"	120	23	63	135	100
50	2"	140	24.5	76	150	100
65	2 1/2"	152	27	89	190	120
80	3"	175	30	104	210	140

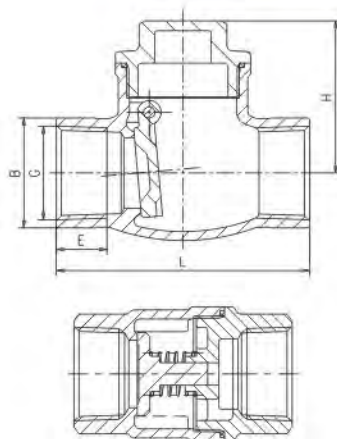
性能规范 Specifications

公称压力: PN1.6,2.5,4.0,6.4MPa
强度试验压力: PT2.4,3.8,6.0,9.6MPa
高压密封试验压力: 1.8,2.8,4.4,7.1MPa
适用介质: J11H-(16-64)C 水、油品、气
适用温度: -29~180°C
适用介质: J11W-(16-64)P 硝酸类
J11W-(16-64)R 醋酸类

Nominal pressure: PN1.6,2.5,4.0,6.4MPa
Strength testing pressure: PT2.4,3.8,6.0,9.6MPa
Seat testing pressure (high pressure): 1.8,2.8,4.4,7.1MPa
Applicable media:
J11H-(16-64)C Water,Oil,Gas
Applicable temperature: -29~180°C
Applicable media:
J11W-(16-64)P Nitric acid
J11W-(16-64)R Acetic acid

FEMALE CHECK VALVE
(WCB, CF8, CF8M)
内螺纹止回阀

- ① 内螺纹旋启式止回阀
Female Swing Check Valve
H14W-(16-64)C、P、R
- ② 2PC内螺纹止回阀
2PC Spring Female Check Valve
H12W-(16-64)C、P、R
- ③ 3PC内螺纹止回阀
3PC Spring Female Check Valve
H12W-(16-64)C、P、R



主要零件材料 Materials of main parts

零件名称 Description of Parts	H ^{1/2} H-(16-64)C	H ^{1/2} W-(16-64)P	H ^{1/2} W-(16-64)R
阀体 Body	WCB	ZG1Cr18Ni9Ti CF8	ZG1Cr18Ni12Mo2Ti CF8M
阀盖 Bonnet	WCB	ZG1Cr18Ni9Ti CF8	ZG1Cr18Ni12Mo2Ti CF8M
阀瓣 Disc	ZG1Cr18Ni9Ti CF8	ZG1Cr18Ni9Ti CF8	ZG1Cr18Ni12Mo2Ti CF8M
密封 Sealing	304,316 ,PTFE		
垫片 Gasket	聚四氟乙烯 Polytetrafluorethylene(PTFE)		

主要外形尺寸 Main outer size (H14W)

DN	G	L	E	B	H
8	1/4"	65	10	24	42
10	3/8"	65	10	24	42
15	1/2"	65	12	26	42
20	3/4"	75	17	32	46
25	1"	90	20	41	54
32	1 1/4"	105	20	49	58
40	1 1/2"	120	20	56	66
50	2"	140	23	69	74
65	2 1/2"	165	27	86	89
80	3"	185	30	98	102

性能规范 Specifications

公称压力: PN1.6,2.5,4.0,6.4MPa
强度试验压力: PT2.4,3.8,6.0,9.6MPa
高压密封试验压力: 1.8,2.8,4.4,7.1MPa
适用介质: H^{1/2}H-(16-64)C 水、油品、气
适用温度: -29~180°C
适用介质: H^{1/2}W-(16-64)P 硝酸类
H^{1/2}W-(16-64)R 醋酸类

Nominal pressure: PN1.6,2.5,4.0,6.4MPa
Strength testing pressure: PT2.4,3.8,6.0,9.6MPa
Seat testing pressure (high pressure): 1.8,2.8,4.4,7.1MPa
Applicable media:
H^{1/2}H-(16-64)C Water,Oil,Gas
Applicable temperature: -29~180°C
Applicable media:
H^{1/2}W-(16-64)P Nitric acid
H^{1/2}W-(16-64)R Acetic acid

WAFER TYPE CHECK VALVE
(WCB, CF8, CF8M)
对夹式止回阀

- ① 对夹式止回阀 H71
Wafer type spring check Valve H71
- ② 蝶形对夹式止回阀 H76
Wafer type double disc spring check Valve H76
- ③ 对夹式单瓣止回阀 H74
Wafer type single disc check Valve H74



主要零件材料 Materials of main parts

零件名称 Description of Parts	H ^{1/2} H-(16-64)C	H ^{1/2} W-(16-64)P	H ^{1/2} W-(16-64)R
阀体 Body	WCB	ZG1Cr18Ni9Ti CF8	ZG1Cr18Ni12Mo2Ti CF8M
阀瓣 Disc	ZG1Cr18Ni9Ti CF8	ZG1Cr18Ni9Ti CF8	ZG1Cr18Ni12Mo2Ti CF8M
密封 Sealing	304,316 ,PTFE		

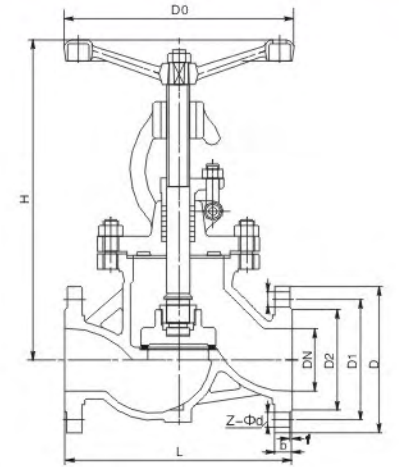
性能规范 Specifications

公称压力: PN1.6,2.5,4.0,6.4MPa
强度试验压力: PT2.4,3.8,6.0,9.6MPa
高压密封试验压力: 1.8,2.8,4.4,7.1MPa
适用介质: H^{1/2}H-(16-64)C 水、油品、气
适用温度: -29~180°C
适用介质: H^{1/2}W-(16-64)P 硝酸类
H^{1/2}W-(16-64)R 醋酸类

Nominal pressure: PN1.6,2.5,4.0,6.4MPa
Strength testing pressure: PT2.4,3.8,6.0,9.6MPa
Seat testing pressure (high pressure): 1.8,2.8,4.4,7.1MPa
Applicable media:
H^{1/2}H-(16-64)C Water,Oil,Gas
Applicable temperature: -29~180°C
Applicable media:
H^{1/2}W-(16-64)P Nitric acid
H^{1/2}W-(16-64)R Acetic acid

GB、DIN GLOBE VALVE
(WCB、CF8、CF8M、TI、NI)
国标、德标截止阀

国标、德标截止阀
GB、DIN Globe Valve



主要连接尺寸 Main Connection Dimensions(PN16)

公称压力 Nominal pressure PN(MPa)	尺寸 Dimensions (mm)							
	L	D	D1	D2	b-f	z-φd	H	D0
15	130	95	65	45	14-2	4-φ14	190	100
20	150	105	75	55	14-2	4-φ14	200	120
25	160	115	85	65	14-2	4-φ14	225	140
32	180	135	100	78	16-2	4-φ18	235	160
40	200	145	110	85	16-2	4-φ18	265	200
50	230	160	125	100	16-3	4-φ18	280	220
65	290	180	145	120	18-3	4-φ18	350	240
80	310	195	160	135	20-3	8-φ18	360	280
100	350	215	180	155	20-3	8-φ18	410	320
125	400	245	210	185	22-3	8-φ18	450	350
150	480	280	240	210	24-3	8-φ23	480	400
200	600	335	295	265	26-3	12-φ23	600	450
250	650	405	355	320	30-3	12-φ25	720	550
300	750	460	410	375	30-3	12-φ25	950	650
350	850	520	470	435	34-4	16-φ25	1040	750
400	950	580	525	485	36-4	16-φ30	1150	800
450	1050	640	585	575	40-4	20-φ30	1250	850
500	1150	705	650	608	44-4	20-φ34	1380	950

设计制造标准
Design & Manufacture Standard

设计与制造按GB/T 12235、DIN 3356
结构长度按GB/T 12221、DIN 3202
法兰连接尺寸按JB/T 79、DIN 2543
检验按JB/T 9092、DIN 3230

Design and manufacture as GB/T 12235、DIN 3356
Face to face dimensions as GB/T 12221、DIN 3202
End flange dimension as JB/T 79、DIN 2543
Pressure test as JB/T 9092、DIN 3230

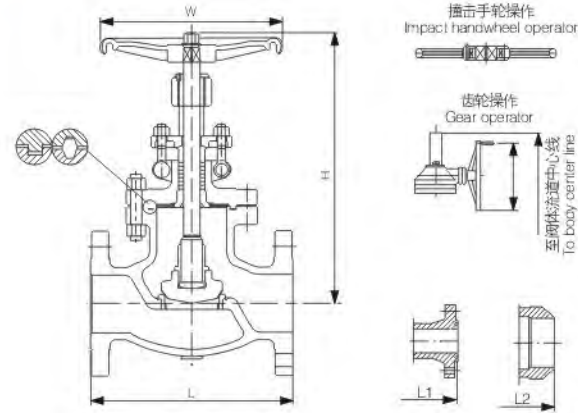
FLANGED GATE VALVE/CUT-OFF VALVE/
CHECK/FILTER/BUTTERFLY VALVE

03 法兰闸阀/截止阀/止回阀/
过滤器/蝶阀

Products applicable to petroleum, chemical, natural gas, light industry, electric power, pharmaceuticals, dyes, metallurgy, fiber, leather, textile, food, military, construction, refrigeration, water supply and other industries.

AMERICAN STANDARD GLOBE VALVE
(WCB、CF8、CF8M、Ti、Ni)
美标截止阀

美标截止阀
American Standard globe valve



主要连接尺寸 Main Connection Dimensions

J41H(Y)		Class 150															
Size	inch	1/2	3/4	1	1 1/4	1 1/2	2	2 1/2	3	4	5	6	8	10	12	14	16
	mm	15	20	25	32	40	50	65	80	100	125	150	200	250	300	350	400
L	mm	108	117	127	140	165	203	216	241	292	356	406	495	622	698	787	914
L1	mm	-	-	-	-	178	216	229	254	305	368	419	508	635	711	800	927
L2	mm	108	117	127	140	165	203	216	241	292	356	406	495	622	698	787	914
H	mm	163	193	250	250	291	350	362	385	490	455	537	707	788	820	-	-
W	mm	100	125	160	160	180	220	250	280	320	320	400	450	560	560	-	-
H1	mm	-	-	-	-	-	-	-	-	-	-	-	760	830	890	1400	1648
W1	mm	-	-	-	-	-	-	-	-	-	-	-	310	310	460	600	600
T	N.m	-	-	-	-	-	31	50	72	115	170	225	427	671	1127	1231	1750
WT(RF)	kg	6.9	9.8	13.5	19.5	28.5	21	29	34	54	72	93	185	268	400	650	1113

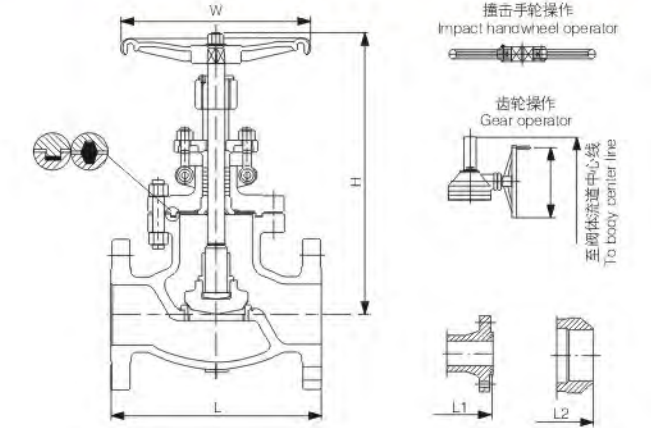
J41H(Y)		Class 300													
Size	inch	1/2	3/4	1	1 1/4	1 1/2	2	2 1/2	3	4	5	6	8	10	12
	mm	15	20	25	32	40	50	65	80	100	125	150	200	250	300
L	mm	152	178	203	216	229	267	292	318	356	400	445	559	622	711
L1	mm	-	-	-	-	178	283	308	333	371	416	460	575	638	727
L2	mm	108	117	127	140	165	267	292	318	356	400	445	559	622	711
H	mm	163	193	250	250	291	345	377	405	468	620	*708	*777	*935	*906
W	mm	100	125	160	160	180	220	250	280	320	400	*450	*500	*560	*600
H1	mm	-	-	-	-	-	-	-	-	-	-	836	854	997	1230
W1	mm	-	-	-	-	-	-	-	-	-	-	390	460	460	600
T	N.m	-	-	-	-	-	52	90	137	236	140	556	1003	1962	3465
WT(RF)	kg	7.7	11.3	16.8	21.2	32.6	28	36	50	75	200	287	510	720	

设计制造标准
Design & Manufacture Standard

设计制造按: ASME B16.34、BS 1873
 结构长度按: ASME B16.10
 连接尺寸按: ASME B16.5、ASME B16.25
 检验和测试按: ISO 5208、API 598、BS 6755
 Design & Manufacture as per: ASME B16.34、BS 1873
 Face to face dimension as per: ASME B16.10
 Connection ends dimension as per: ASME B16.5、ASME B16.25
 Inspection and test as per: ISO 5208、API 598、BS 6755

JIS STANDARD GLOBE VALVE
(SCPH2、SCS13、SCS14、Ti、Ni)
日标截止阀

日标截止阀
JIS Standard globe valve



主要尺寸及重量 Main size and weight

		10K															
Size	inch	1/2	3/4	1	1 1/4	1 1/2	2	2 1/2	3	4	5	6	8	10	12	14	16
	mm	15	20	25	32	40	50	65	80	100	125	150	200	250	300	350	400
L	mm	108	117	127	140	165	203	216	241	292	356	406	495	622	698	787	914
L1	mm	-	-	-	-	178	216	229	254	305	368	419	508	635	711	800	927
L2	mm	108	117	127	140	165	203	216	241	292	356	406	495	622	698	787	914
H	mm	163	193	250	250	291	350	362	385	490	455	537	707	788	820	-	-
W	mm	100	125	160	160	180	220	250	280	320	320	400	450	560	560	-	-
H1	mm	-	-	-	-	-	-	-	-	-	-	-	760	830	890	1400	1648
W1	mm	-	-	-	-	-	-	-	-	-	-	-	310	310	460	600	600
T	N.m	-	-	-	-	-	31	50	72	115	170	225	427	671	1127	1231	1750
WT(RF)	kg	6.9	9.8	13.5	19.5	28.5	21	29	34	54	72	93	185	268	400	650	1113

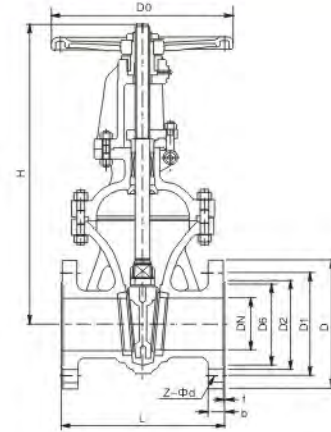
		20K													
Size	inch	1/2	3/4	1	1 1/4	1 1/2	2	2 1/2	3	4	5	6	8	10	12
	mm	15	20	25	32	40	50	65	80	100	125	150	200	250	300
L	mm	152	178	203	216	229	267	292	318	356	400	445	559	622	711
L1	mm	-	-	-	-	178	283	308	333	371	416	460	575	638	727
L2	mm	108	117	127	140	165	267	292	318	356	400	445	559	622	711
H	mm	163	193	250	250	291	345	377	405	468	620	*708	*777	*935	*906
W	mm	100	125	160	160	180	220	250	280	320	400	*450	*500	*560	*600
H1	mm	-	-	-	-	-	-	-	-	-	-	836	854	997	1230
W1	mm	-	-	-	-	-	-	-	-	-	-	390	460	460	600
T	N.m	-	-	-	-	-	52	90	137	236	140	556	1003	1962	3465
WT(RF)	kg	7.7	11.3	16.8	21.2	32.6	28	36	50	75	200	287	510	720	

设计制造标准
Design & Manufacture Standard

设计制造按: JIS B2071
 结构长度按: JIS B2002
 连接尺寸按: JIS B2212、JIS B2214、ASME B16.25
 检验和测试按: ISO 5208、API 598
 Design & Manufacture as per: JIS B2071
 Face to face dimension as per: JIS B2002
 Connection ends dimension as per: JIS B2212、JIS B2214、ASME B16.25
 Inspection and test as per: ISO 5208、API 598

GB、DIN GATE VALVE
(WCB、CF8、CF8M、TI、NI)
国标、德标闸阀

国标、德标闸阀
GB、DIN Gate Valve



主要尺寸及重量 Main size and weight

DN(mm)	尺寸 Dimensions (mm)							
	L	D	D1	D2	b-f	z-Φd	H	D0
15	130	95	65	45	12-2	4-Φ14	185	120
20	150	105	75	55	14-2	4-Φ14	200	120
25	160	115	85	65	14-2	4-Φ14	225	140
32	180	135	100	78	16-2	4-Φ18	275	160
40	200	145	110	85	16-3	4-Φ18	290	160
50	250	160	125	100	16-3	4-Φ18	345	200
65	270	180	145	120	18-3	4-Φ18	360	220
80	280	195	160	135	18-3	4-Φ18	380	240
100	300	215	180	155	20-3	8-Φ18	430	280
125	325	245	210	185	22-3	8-Φ18	520	300
150	350	280	240	210	22-3	8-Φ23	600	320
200	400	335	295	265	22-3	8-Φ23	765	400
250	450	390	350	320	24-3	12-Φ23	930	450
300	500	440	400	368	26-3	12-Φ23	1080	500
350	550	500	460	428	26-4	16-Φ23	1200	500
400	600	565	515	482	26-4	16-Φ35	1400	550
450	650	615	566	532	26-4	20-Φ25	1500	600
500	700	670	620	585	28-4	20-Φ25	1630	650
600	800	780	725	685	28-5	20-Φ30	1830	700
700	900	895	840	800	30-5	24-Φ30	1930	750

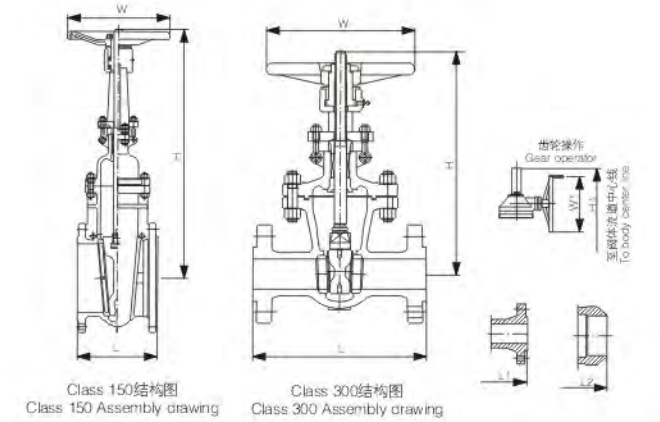
设计制造标准
Design & Manufacture Standard

设计与制造按GB/T 12234、DIN 3352
结构长度按GB/T 12221、DIN3202
法兰连接尺寸按JB/T 79、DIN 2543
检验按JB/T 9092、DIN 3230

Design and manufacture as GB/T 12234、DIN 3352
Face to face dimensions as GB/T 12221、DIN3202
End flange dimension as JB/T 79、DIN 2543
Pressure test as JB/T 9092、DIN 3230

AMERICAN STANDARD WEDGE GATE VALVE
(WCB、CF8、CF8M、TI、NI)
美标闸阀

美标闸阀
American Standard wedge gate valve



主要尺寸及重量 Main size and weight

Size	Z41 (O) H (F) Class 150																				
	1/2	3/4	1	1 1/4	1 1/2	2	2 1/2	3	4	5	6	8	10	12	14	16	18	20	24	28	
L	108	117	127	140	165	178	191	203	229	254	267	292	330	381	381	406	432	457	508	610	
L1	-	-	-	-	203	191	203	216	241	267	279	305	343	394	394	419	445	470	521	-	
L2	108	117	127	140	165	216	241	283	305	381	403	419	457	572	572	610	660	711	813	914	
H	169	193	230	246	283	361	396	435	522	570	610	750	935	1224	1224	1345	1487	1627	1931	-	
W	100	125	160	160	180	250	250	280	600	350	350	400	400	600	600	600	600	680	920	-	
H1	-	-	-	-	-	-	-	-	-	-	-	-	-	1280	1670	1670	1885	2045	2210	2675	3050
W1	-	-	-	-	-	-	-	-	-	-	-	-	-	310	490	460	460	460	460	600	-
T	N.m	-	-	-	-	12.4	17	23	24.5	60	85	125	138	276	276	396	491	650	1018	1492	
WT(RF)	kg	5	6.1	8.4	14.3	15.4	20	30	33	49	60	75	120	205	400	400	511	650	789	1200	1800

Size	Z41 (O) H (F) Class 300																				
	1/2	3/4	1	1 1/4	1 1/2	2	2 1/2	3	4	5	6	8	10	12	14	16	18	20	24	28	
L	140	152	165	178	190	216	241	283	305	381	403	419	457	502	762	838	914	991	1143	1346	
L1	-	-	-	-	203	232	257	298	321	397	419	435	473	518	778	854	930	1010	1135	1372	
L2	140	152	165	178	190	216	241	283	305	381	403	419	457	502	762	838	914	991	1143	1346	
H	169	193	230	246	283	352	390	420	496	570	635	772	995	1090	1265	1385	1510	1630	-	-	
W	100	125	160	160	180	250	250	250	300	350	400	450	500	600	650	750	750	920	-	-	
H1	-	-	-	-	-	-	-	-	-	-	-	-	-	1375	1524	1718	1860	2077	2310	2809	3078
W1	-	-	-	-	-	-	-	-	-	-	-	-	-	460	460	460	460	460	600	600	-
T	N.m	-	-	-	-	27.5	40	54	80	194	202	226	354	558	736	966	1259	1259	2658	4264	-
WT(RF)	kg	5.2	6.3	8.6	14.5	15.6	24	36	47	69	29	123	196	333	440	710	950	1405	1405	2770	3312

设计制造标准
Design & Manufacture Standard

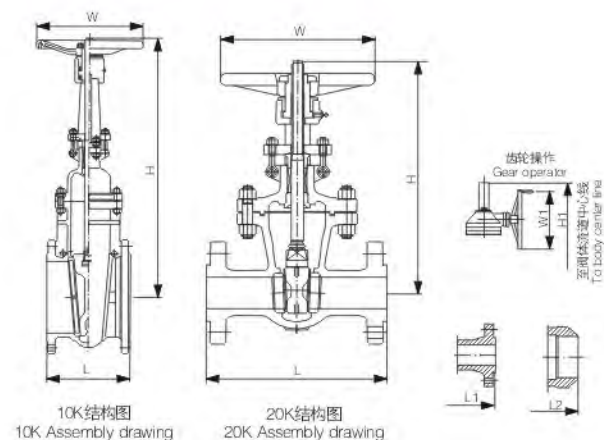
设计制造按API600 ASME B16.34、BS 1414
结构长度按ASME B16.10
连接尺寸按ASME B16.5、ASME B16.47、ASME B16.25
检验和测试按ISO 5208、API 598、BS 6755

Design & Manufacture as per: API600 ASME B16.34、BS 1414
Face to face dimension as per: ASME B16.10
Connection ends dimension as per: ASME B16.5、ASME B16.47、ASME B16.25
Inspection and test as per: ISO 5208、API 598、BS 6755

JIS STANDARD WEDGE GATE VALVE
(SCPH2、SCS13、SCS14、TI、NI)

日标闸阀

日标闸阀
JIS Standard wedge gate valve



主要尺寸及重量 Main size and weight

		10K																			
Size	inch	1/2	3/4	1	1 1/4	1 1/2	2	2 1/2	3	4	5	6	8	10	12	14	16	18	20	24	28
	mm	15	20	25	32	40	50	65	80	100	125	150	200	250	300	350	400	450	500	600	700
L	mm	108	117	127	140	165	178	191	203	229	254	267	292	330	381	381	406	432	457	508	610
L1	mm	-	-	-	-	203	191	203	216	241	267	279	305	343	394	394	419	445	470	521	-
L2	mm	108	117	127	140	165	216	241	283	305	381	403	419	457	572	572	610	660	711	813	914
H	mm	169	193	230	246	283	361	396	435	522	570	610	750	935	1224	1224	1345	1487	1627	1931	-
W	mm	100	125	160	160	180	250	250	280	600	350	350	400	400	600	600	600	600	680	920	-
H1	mm	-	-	-	-	-	-	-	-	-	-	-	-	1280	1670	1670	1885	2045	2210	2675	3050
W1	mm	-	-	-	-	-	-	-	-	-	-	-	-	310	490	460	460	460	460	460	600
T	N.m	-	-	-	-	12.4	17	23	24.5	60	85	125	138	276	276	396	491	650	1018	1492	-
WT(RF)	kg	5	6.1	8.4	14.3	15.4	20	30	33	49	60	75	120	205	400	400	511	650	789	1200	1800

		20K																			
Size	inch	1/2	3/4	1	1 1/4	1 1/2	2	2 1/2	3	4	5	6	8	10	12	14	16	18	20	24	28
	mm	15	20	25	32	40	50	65	80	100	125	150	200	250	300	350	400	450	500	600	700
L	mm	140	152	165	178	190	216	241	283	305	381	403	419	457	502	762	838	914	991	1143	1346
L1	mm	-	-	-	-	203	232	257	298	321	397	419	435	473	518	778	854	930	1010	1135	1372
L2	mm	140	152	165	178	190	216	241	283	305	381	403	419	457	502	762	838	914	991	1143	1346
H	mm	169	193	230	246	283	352	390	420	496	570	635	772	995	1090	1265	1385	1510	1630	-	-
W	mm	100	125	160	160	180	250	250	250	300	350	400	450	500	600	650	750	750	920	-	-
H1	mm	-	-	-	-	-	-	-	-	-	-	-	-	1375	1524	1718	1860	2077	2310	2809	3078
W1	mm	-	-	-	-	-	-	-	-	-	-	-	-	460	460	460	460	460	460	600	600
T	N.m	-	-	-	-	27.5	40	54	80	194	202	226	354	558	736	966	1259	1259	2658	4264	-
WT(RF)	kg	5.2	6.3	8.6	14.5	15.6	24	36	47	69	29	123	196	333	440	710	950	1405	1405	2770	3312

GB SWING CHECK VALVE
(WCB, CF8, CF8M, TI, NI)

国标止回阀

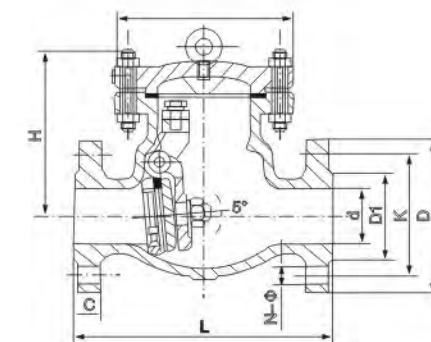
旋启式国标止回阀
(GB, ANSI, JIS, DIN, BS)
GB Swing Check Valve



旋启式



升降式



主要尺寸及重量 Main size and weight

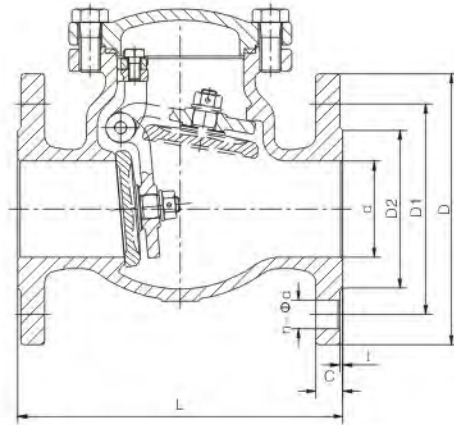
公称压力 Nominal pressure PN(MPa)	DN(mm)	尺寸 Dimensions (mm)						
		L	D	D1	D2	b-f	z-φd	H
1.6	25	160	115	85	65	14-2	4-φ14	115
	32	180	135	100	78	16-2	4-φ18	120
	40	200	145	110	85	16-3	4-φ18	130
	50	230	160	125	100	16-3	4-φ18	140
	65	290	160	145	120	18-3	4-φ18	150
	80	310	195	160	135	20-3	8-φ18	170
	100	350	215	180	155	20-3	8-φ18	185
	125	400	245	210	185	22-3	8-φ18	195
	150	480	280	240	210	24-3	8-φ23	225
	200	600	335	295	265	26-3	12-φ23	250
2.5	250	650	405	355	320	30-3	12-φ25	270
	300	750	460	410	375	30-3	12-φ25	300
	25	160	115	85	65	16-2	4-φ14	115
	32	180	135	100	78	16-2	4-φ18	120
	40	200	145	110	85	18-3	4-φ18	130
	50	230	160	125	100	20-3	4-φ18	140
	65	250	180	145	125	22-3	8-φ18	150
	80	310	195	160	135	22-3	8-φ18	170
	100	350	230	190	160	24-3	8-φ23	185
	125	400	270	220	188	28-3	8-φ25	195
150	480	300	250	218	30-3	8-φ25	225	
200	600	360	310	278	34-3	12-φ25	250	
250	650	425	370	335	36-3	12-φ30	270	
300	750	485	430	390	40-4	16-φ30	300	

设计制造标准
Design & Manufacture Standard

设计与制造按GB/T 12236、GB/T 12235
结构长度按GB/T 12221
法兰连接尺寸按JB/T 79
检验按JB/T 9092
Design and manufacture as GB/T 12236、GB/T 12235
Face to face dimensions as GB/T 12221
End flange dimension as JB/T 79
Pressure test as JB/T 9092

ANSI, JIS STANDARD SWING CHECK VALVES
(WCB, CF8, CF8M, TI, NI)
美标、日标止回阀

美标、日标止回阀
ANSI, JIS Standard swing check valves



主要尺寸及重量 Main size and weight

Class150									
Size	a	D	D1	D2	l	C	n-φb	L	
DN15	18	90	60.3	34.9	1.6	10	4-φ16	108	
DN20	20	100	69.9	42.9	1.6	11	4-φ16	117	
DN25	25	110	79.4	50.8	1.6	12	4-φ16	127	
DN32	32	115	88.9	63.5	1.6	13	4-φ16	140	
DN40	38	125	98.4	73	1.6	15	4-φ16	165	
DN50	50	150	120.7	92.1	1.6	16	4-φ19	203	
DN65	64	180	139.7	104.8	1.6	18	4-φ19	216	
DN80	76	190	152.4	127	1.6	19	4-φ19	241	
DN100	100	230	190.5	157.2	1.6	24	8-φ19	292	
DN125	125	255	215.9	185.7	1.6	24	8-φ22	330	
DN150	150	280	241.3	215.9	1.6	26	8-φ22	356	
DN200	200	345	298.5	269.9	1.6	29	8-φ22	495	
DN250	250	405	362	323.8	1.6	31	12-φ25	622	
DN300	300	485	431.8	381	1.6	32	12-φ25	698	

Class300									
Size	a	D	D1	D2	l	C	n-φb	L	
DN15	18	95	66.7	34.9	1.6	15	4-φ16	140	
DN20	20	115	82.6	42.9	1.6	16	4-φ19	152	
DN25	25	125	88.9	50.8	1.6	18	4-φ19	216	
DN32	32	135	98.4	63.5	1.6	19	4-φ19	229	
DN40	38	155	114.3	73	1.6	21	4-φ22	241	
DN50	50	165	127	92.1	1.6	23	8-φ19	267	
DN65	64	190	149.2	104.8	1.6	26	8-φ22	292	
DN80	76	210	168.3	127	1.6	29	8-φ22	318	
DN100	100	255	200	157.2	1.6	32	8-φ22	356	
DN125	125	280	235	185.7	1.6	35	8-φ22	400	
DN150	150	320	269.9	215.9	1.6	37	12-φ22	444	
DN200	200	380	330.2	269.9	1.6	42	12-φ25	533	
DN250	250	445	387.4	323.8	1.6	48	16-φ29	622	
DN300	300	520	450.8	381	1.6	51.5	16-φ32	711	

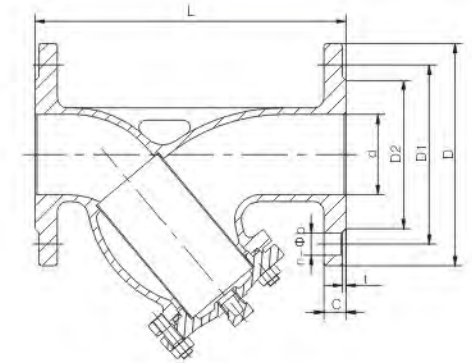
设计制造标准
Design & Manufacture Standard

设计与制造按API 6D, BS 1868, ASME B16.34
结构长度按ASME B16.10, API 6D
法兰连接尺寸按ASME B16.5, ASME B16.25, ASME B16.47
检验和测试按ISO 5208, API 598, BS 6755

Design & Manufacture as Per: API 6D, BS 1868, ASME B16.34
Face to face dimension as per: ASME B16.10, API 6D
Connection ends dimension as per:
ASME B16.5, ASME B16.25, ASME B16.47
Inspection and test as per: ISO 5208, API 598, BS 6755

FLANGED Y-TYPE STRAINER
(WCB, CF8, CF8M, TI, NI)
Y型法兰过滤器

Y型法兰过滤器
(GB, ANSI, JIS, DIN, BS)
Flanged Y-type Strainer



主要零件材料 Materials of main parts

零件名称 Description of Parts	SY41-(16-64)C	SY41-(16-64)P	SY41-(16-64)R
阀体 Body	WCB	ZG1Cr18Ni9Ti CF8	ZG1Cr18Ni12Mo2Ti CF8M
阀盖 Bonnet	WCB	ZG1Cr18Ni9Ti CF8	ZG1Cr18Ni12Mo2Ti CF8M
过滤网 Mesh	1Cr18Ni9Ti 304	1Cr18Ni9Ti 304	1Cr18Ni12Mo2Ti 316
垫片 Gasket	聚四氟乙烯/带石墨缠绕 Polytetrafluorethylene(PTFE)/Stainless steel and graphite spiral wound		

主要外形尺寸 Main outer size

Class150									
Size	a	D	D1	D2	l	C	n-φb	L	
DN15	15	90	60.3	34.9	1.6	10	4-φ16	130	
DN20	20	100	69.9	42.9	1.6	11	4-φ16	140	
DN25	25	110	79.4	50.8	1.6	12	4-φ16	150	
DN32	32	115	88.9	63.5	1.6	13	4-φ16	170	
DN40	38	125	98.4	73	1.6	15	4-φ16	200	
DN50	50	150	120.7	92.1	1.6	16	4-φ19	220	
DN65	64	180	139.7	104.8	1.6	18	4-φ19	252	
DN80	76	190	152.4	127	1.6	19	4-φ19	280	
DN100	100	230	190.5	157.2	1.6	24	8-φ19	320	
DN125	125	255	215.9	185.7	1.6	24	8-φ22	350	
DN150	150	280	241.3	215.9	1.6	26	8-φ22	400	
DN200	200	345	298.5	269.9	1.6	29	8-φ22	485	

PN16									
Size	a	D	D1	D2	l	C	n-φb	L	
DN15	15	95	65	45	2	14	4-φ14	130	
DN20	20	105	75	58	2	14	4-φ14	140	
DN25	25	115	85	68	2	14	4-φ14	150	
DN32	32	140	100	78	2	16	4-φ18	170	
DN40	38	150	110	88	3	16	4-φ18	200	
DN50	50	165	125	102	3	16	4-φ18	220	
DN65	64	185	145	122	3	18	4-φ18	252	
DN80	76	200	160	138	3	20	8-φ18	280	
DN100	100	220	180	158	3	20	8-φ18	320	
DN125	125	250	210	188	3	22	8-φ18	350	
DN150	150	285	240	212	3	24	8-φ23	400	
DN200	200	340	295	268	3	26	12-φ23	485	

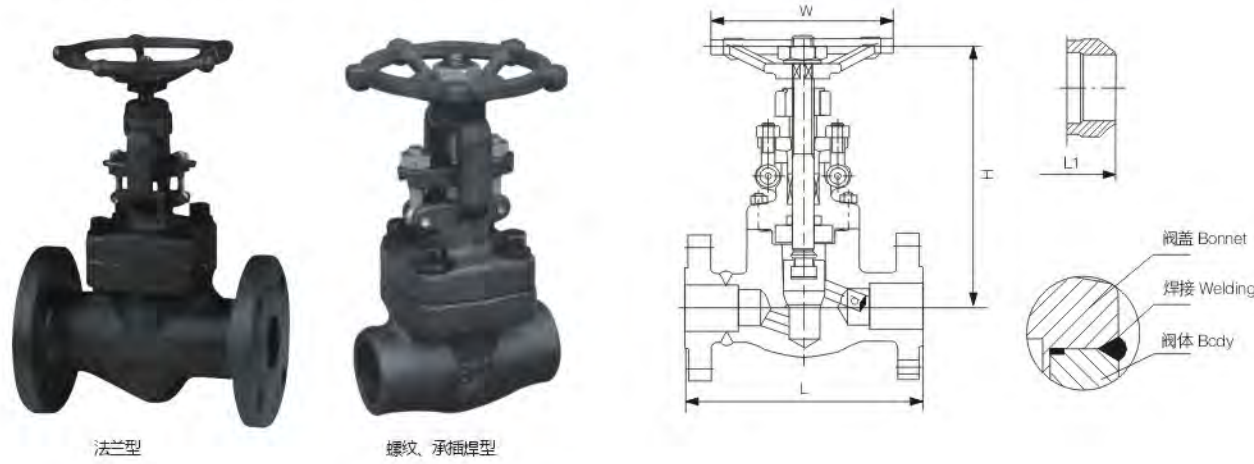
性能规范 Specifications

公称压力: PN1.6-6.4, Class150/300, 10k/20k
强度试验压力: PT1.5PN
适用介质: SY41-(16-64)C 水、油品、气
适用温度: -29~180°C
适用介质: SY41-(16-64)P 硝酸类
SY41-(16-64)R 醋酸类
适用温度: -40~180°C

Nominal pressure: PN1.6-6.4, Class150/300, 10k/20k
Strength testing pressure: PT1.5PN
Applicable media:
SY41-(16-64)C Water, Oil, Gas
Applicable temperature: -29~180°C
SY41-(16-64)P Nitric acid
SY41-(16-64)R Acetic acid
Applicable temperature: -40~180°C

AMERICAN STANDARD FORGED STEEL GLOBE VALVE
(A105、F304、F316)
美标锻钢截止阀

美标锻钢截止阀
American standard forged steel globe valve



主要尺寸及重量 Main size and weight

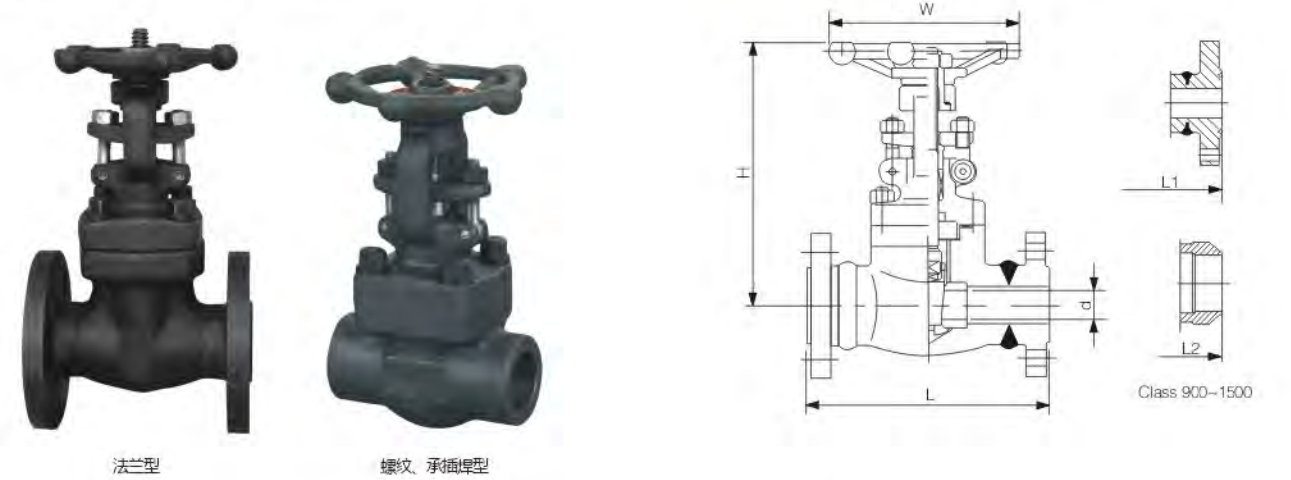
J41H(Y)		Class 150-600								
Size	压力等级 Class	L(mm)	L2(mm)	H开 (mm)		W(mm)		WT(kg)		
				缩径 RB	全径 FB	缩径 RB	全径 FB	缩径 RB	全径 FB	
1/2	15	150	108	108	158	163	100	100	4.5	6.9
	300	152	152	4.8					7.7	
	600	165	165	5.6					7.8	
3/4	20	150	117	117	163	193	100	125	6.9	9.8
	300	178	178	7.7					11.3	
	600	190	190	7.8					12.5	
1	25	150	127	127	193	250	125	160	9.8	13.5
	300	203	203	11.1					16.8	
	600	216	216	12.5					17.5	
1 1/4	32	150	140	140	250	250	160	160	13.5	19.5
	300	216	216	16.8					21.2	
	600	229	229	17.0					23.5	
1 1/2	40	150	165	165	250	291	160	180	19.5	28.5
	300	229	229	21.2					32.6	
	600	241	241	23.5					38.5	
2	50	150	203	203	291	312	180	200	28.0	30.3
	300	267	267	32.6					35.0	
	600	292	292	38.8					42.2	

设计制造标准
Design & Manufacture Standard

设计制造按API 602、BS 5352、ASME B16.34
连接尺寸按ASME B16.5、ASME B16.25
检验和测试按API 598
Design manufacture as per: API 602, BS 5352, ASME B16.34
Connection ends dimension as per: ASME B16.5, ASME B16.25
Inspection and test as per: API 598

AMERICAN STANDARD FORGED STEEL GATE VALVEES
(A105、F304、F316)
美标锻钢闸阀

美标锻钢闸阀
American Standard Forged steel gate valves



主要尺寸及重量 Main size and weight

Z41H(Y)		Class 900-1500								
Size	压力等级 Class	L(mm)	L2(mm)	H开 (mm)		W(mm)		WT(kg)		
				缩径 RB	全径 FB	缩径 RB	全径 FB	缩径 RB	全径 FB	
1/2	15	150	108	108	166	169	100	100	4.5	5
	300	140	140	4.8					5.2	
	600	165	165	5.9					5.9	
3/4	20	150	117	117	169	193	100	125	5.2	6.1
	300	152	152	6.2					6.3	
	600	190	191	7.4					7.5	
1	25	150	127	127	193	230	125	160	8.2	8.4
	300	165	165	9.3					8.6	
	600	216	216	10.4					10.2	
1 1/4	32	150	140	138	230	246	160	160	11.5	14.3
	300	178	178	14					14.5	
	600	229	229	16.2					16.7	
1 1/2	40	150	165	165	246	283	160	180	12.5	15.4
	300	190	191	15.5					15.6	
	600	241	241	17.5					17.4	
2	50	150	178	178	283	330	180	200	20.3	22.7
	300	216	216	23.4					22.8	
	600	292	292	28.3					28.7	

Z41H(Y)		Class 900-1500						
Size	in	mm	L(mm)	L2(mm)	H开 (mm)	W(mm)	WT(kg)	
							B.B	W.B
1/2	15	216	216	197	125	6.9	7.2	
3/4	20	229	224	197	125	11.2	11.5	
1	25	254	254	224	160	12.8	15.6	
1 1/4	32	279	279	237	160	16.0	16.2	
1 1/2	40	305	305	276	180	21.0	22.6	
2	50	368	368	320	200	27.1	28.2	

设计制造标准
Design & Manufacture Standard

设计制造按API 602、BS 5352、ASME B16.34
连接尺寸按ASME B16.5、ASME B16.25
检验和测试按API 598
Design manufacture as per: API 602、BS 5352、
ASME B16.34
Connection ends dimension as per: ASME B16.5、
ASME B16.25
Inspection and test as per: API 598

AMERICAN STANDARD FORGED CHECK VALVE
(A105、F304、F316)

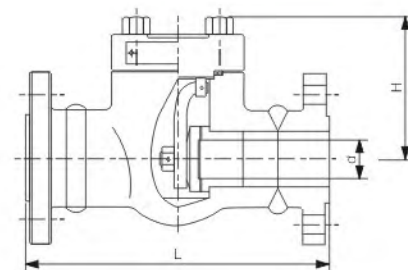
美标锻钢止回阀

美标锻钢止回阀
American standard forged check valve



法兰型

螺纹、承插焊型



主要尺寸及重量 Main size and weight

H44H(Y)		Class150-600									
Size		压力等级 Class	L(mm)	WT(kg) 升降式Lifting type		WT(kg) 旋启式Swing type		WT(kg) 升降式Lifting type		WT(kg) 旋启式Swing type	
inch	mm			缩径 RB	全径 FB	缩径 RB	全径 FB	缩径 RB	全径 FB	缩径 RB	全径 FB
1/2	15	150	108	61	61	61	61	2.6	3.4	2.5	3.3
		300	152					2.7	3.7	2.6	3.6
		600	165					3.0	4.0	2.9	4.3
3/4	20	150	117	61	78	61	78	3.4	4.4	3.3	4.8
		300	178					3.7	4.7	3.6	5.1
		600	190					4.0	5.8	4.3	6.2
1	25	150	127	78	84	78	84	4.4	8.2	4.8	7.0
		300	203					4.7	8.8	5.1	7.4
		600	216					5.8	9.5	6.2	7.7
1 1/4	32	150	140	84	103	84	101	8.2	8.9	7.0	7.5
		300	216					8.8	9.6	7.4	7.9
		600	229					9.5	10.1	7.7	9.3
1 1/2	40	150	165	108	118	101	120	8.9	1.0	7.5	11.3
		300	229					9.6	13.7	7.9	11.7
		600	241					10.1	15.6	9.3	13.2
2	50	150	203	118	132	120	133	12.6	14.3	11.3	13.6
		300	267					13.7	17.8	11.7	16.8
		600	292					15.6	24.6	13.2	20.5

设计制造标准
Design & Manufacture Standard

设计制造按BS 5352、ASME B16.34
连接尺寸按ASME B16.11
检验和测试按API 598

Design & Manufacture as per BS 5352, ASME B16.34
Connection ends dimension as per ASME B16.11
Inspection and test as per API 598



INTELLIGENT SERIES PNEUMATIC,
ELECTRIC, GAS LIQUID LINKAGE

04 智能系列气动、电动、气液联动

Products applicable to petroleum, chemical, natural gas, light industry, electric power, pharmaceuticals, dyes, metallurgy, fiber, leather, textile, food, military, construction, refrigeration, water supply and other industries.

PNEUMATIC BALL VALVE
(GB, ANSI, JIS, DIN, BS)

气动球阀



BALL VALVE WITH ELECTRIC ACTUATOR
(WCB, CF8, CF8M, Ti, Ni)

电动球阀

(GB, ANSI, JIS, DIN, BS)
Ball Valve With Electric Actuator
Q911F-(16-64)C、P、R、Ti、Ni
(WCB、CF8、CF8M、Ti、Ni)



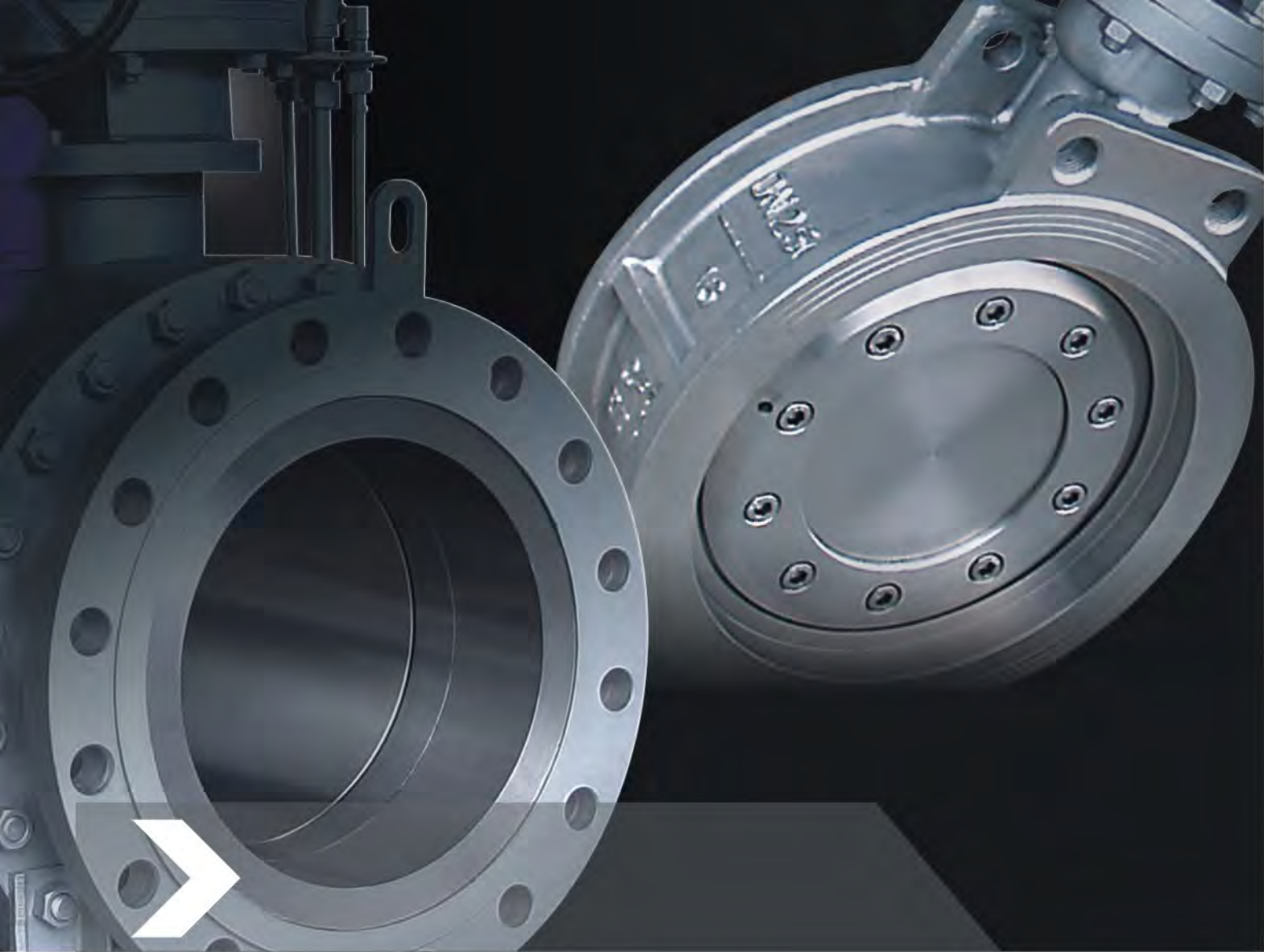
主要零件材料 Materials of main parts

零件名称 Description of Parts	Q911F-(16-64)C	Q911F-(16-64)P	Q911F-(16-64)R
阀体 Body	WCB	ZG1Cr18Ni9Ti CF8	ZG1Cr18Ni12Mo2Ti CF8M
阀盖 Bonnet	WCB	ZG1Cr18Ni9Ti CF8	ZG1Cr18Ni12Mo2Ti CF8M
球体 Ball	1Cr18Ni9Ti 304	1Cr18Ni9Ti 304	1Cr18Ni12Mo2Ti 316
阀杆 Stem	1Cr18Ni9Ti 304	1Cr18Ni9Ti 304	1Cr18Ni12Mo2Ti 316
密封圈 Sealing	聚四氟乙烯 Polytetrafluorethylene(PTFE)		
填料 Packing	聚四氟乙烯 Polytetrafluorethylene(PTFE)		

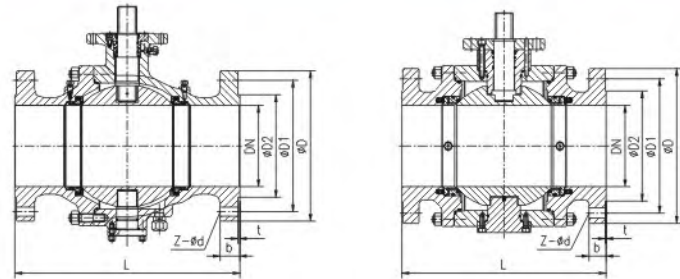
性能规范 Specifications

公称压力: PN1.6-6.4, Class150/300, 10K/20K
强度试验压力: PT1.5PN
低压气密封试验压力: 0.6MPa
适用介质: Q911F-(16-64)C 水、油品、气
适用温度: -29-180°C
适用介质: Q911F-(16-64)P 硝酸类
Q911F-(16-64)R 醋酸类
适用温度: -40-180°C

Nominal pressure: PN1.6-6.4, Class150/300, 10K/20K
Strength testing pressure: PT1.5PN
Seat testing pressure (low pressure): 0.6MPa
Applicable media:
Q911F-(16-64)C Water, Oil, Gas
Applicable temperature: -29-180°C
Q911F-(16-64)P Nitric acid
Q911F-(16-64)R Acetic acid
Applicable temperature: -40-180°C



AS FLANGED BALL VALVE (FIXED BALL)
GB, ANSI, JIS, DIN, BS
法兰球阀(固定球式)



设计标准 Design standards

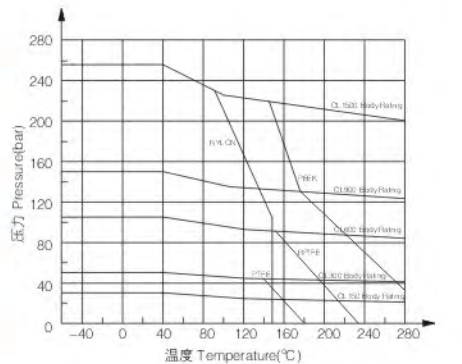
设计制造规范: API 6D API 608
结构长度: ASME B16.10
法兰连接尺寸: ASME B16.5
试验与检验: API 6D API 598

Design and manufacturing specifications:
API 6D API 608
Structure length: ASME B16.10
Flange connection dimensions: ASME B16.5
Test and Inspection: API 6D API 598

性能规范 Specifications

公称压力: 150, 300, 600, 900LB
强度试验: PT3.0, 7.5, 15, 22.5Mpa
密封试验: 2.2, 5.5, 11, 16.5Mpa
上密封试验: 2.2, 5.5, 11, 16.5Mpa
气密封试验: 0.6Mpa

Nominal pressure: 150,300,600,900 LB
Strength test: PT3.0, 7.5,15,22.5 Mpa
Seal Test: 2.2,5.5,11,16.5 Mpa
The seal test: 2.2,5.5,11,16.5 Mpa
Gas seal test: 0.6Mpa



主要零件材料 Materials of main parts

材料名称 Material Name	碳钢 Carbon steel			不锈钢 Stainless steel		
	A216 WCB	A105	A351 CF8	A182 F304	A351 CF8M	A182 F316
阀体 Body	A216 WCB	A105	A351 CF8	A182 F304	A351 CF8M	A182 F316
阀盖 Bonnet	A216 WCB	A105	A351 CF8	A182 F304	A351 CF8M	A182 F316
球体 Ball	A105 ENP	A276 304	A276 316	A276 304	A276 316	A276 316
阀杆 Stem	A105 ENP	A276 304	A276 316	A276 304	A276 316	A276 316
阀座 Seat	PTFE, NYLON, VITON			PTFE, NYLON, VITON		
阀杆轴承 Stem Bearing	金属附PTFE Metal Backed PTFE			金属附PTFE Metal Backed PTFE		
弹簧 Spring	InconeX750/17-7PH			InconeX750/17-7PH		
填料 Gland Packing	PTFE/O-Ring			PTFE/O-Ring		

BALL VALVE、 BUTTERFLY VALVE SERIES

05 高性能球阀、蝶阀系列

Products applicable to petroleum, chemical, natural gas, light industry, electric power, pharmaceuticals, dyes, metallurgy, fiber, leather, textile, food, military, construction, refrigeration, water supply and other industries.

AS FLANGED BALL VALVE (FIXED BALL)
GB, ANSI, JIS, DIN, BS
法兰球阀(固定球式)

主要外形尺寸和连接尺寸
The main dimensions and connection dimensions

美标(ANSI): 150LB 单位: mm

公称直径 Nominal Diameter		L	D	D1	D2	b	f	Z-φd
in	DN							
2"	50	178	150	120.7	92.1	16	1.6	4-φ19
2 1/2"	65	190	180	139.7	104.8	18	1.6	4-φ19
3"	80	203	190	152.4	127	19	1.6	4-φ19
4"	100	229	230	190.5	157.2	24	1.6	8-φ19
5"	125	356	255	215.9	185.7	24	1.6	8-φ22
6"	150	394	280	241.3	215.9	26	1.6	8-φ22
8"	200	457	345	298.5	269.9	29	1.6	8-φ22
10"	250	533	405	362	323.8	31	1.6	12-φ25
12"	300	610	485	431.8	381	32	1.6	12-φ25
14"	350	686	535	476.3	412.8	35.5	1.6	12-φ29
16"	400	762	595	539.8	469.9	37	1.6	16-φ29
18"	450	864	635	577.9	533.4	40	1.6	16-φ32
20"	500	914	700	635	584.2	43.5	1.6	20-φ32
24"	600	1067	815	749.3	692.2	48	1.6	20-φ35

美标(ANSI): 600LB 单位: mm

公称直径 Nominal Diameter		L	D	D1	D2	b	f	Z-φd
in	DN							
2"	50	292	165	127	92.1	32	6.4	8-φ19
2 1/2"	65	350	190	149.2	104.8	35	6.4	8-φ22
3"	80	356	210	168.3	127	38.5	6.4	8-φ22
4"	100	432	275	215.9	157.2	45	6.4	8-φ25
5"	125	508	330	266.7	185.7	51.5	6.4	8-φ29
6"	150	559	355	292.1	215.9	54.5	6.4	12-φ29
8"	200	660	420	349.2	269.9	62	6.4	12-φ32
10"	250	787	510	431.8	323.8	70	6.4	16-φ35
12"	300	838	560	489	381	73.5	6.4	20-φ35
14"	350	889	605	527	412.8	76.5	6.4	20-φ38
16"	400	991	685	603.2	469.9	83	6.4	20-φ42
18"	450	1092	745	654	533.4	89.5	6.4	20-φ45
20"	500	1194	815	723.9	584.2	96	6.4	24-φ45
24"	600	1397	940	838.2	692.2	108	6.4	24-φ51

美标(ANSI): 1500LB 单位: mm

公称直径 Nominal Diameter		L	D	D1	D2	b	f	Z-φd
in	DN							
2"	50	178	150	120.7	92.1	16	1.6	4-φ19
2 1/2"	65	190	180	139.7	104.8	18	1.6	4-φ19
3"	80	203	190	152.4	127	19	1.6	4-φ19
4"	100	229	230	190.5	157.2	24	1.6	8-φ19
5"	125	356	255	215.9	185.7	24	1.6	8-φ22
6"	150	394	280	241.3	215.9	26	1.6	8-φ22
8"	200	457	345	298.5	269.9	29	1.6	8-φ22
10"	250	533	405	362	323.8	31	1.6	12-φ25
12"	300	610	485	431.8	381	32	1.6	12-φ25
14"	350	686	535	476.3	412.8	35.5	1.6	12-φ29
16"	400	762	595	539.8	469.9	37	1.6	16-φ29
18"	450	864	635	577.9	533.4	40	1.6	16-φ32
20"	500	914	700	635	584.2	43.5	1.6	20-φ32
24"	600	1067	815	749.3	692.2	48	1.6	20-φ35

美标(ANSI): 300LB 单位: mm

公称直径 Nominal Diameter		L	D	D1	D2	b	f	Z-φd
in	DN							
2"	50	216	165	127	92.1	23	1.6	8-φ19
2 1/2"	65	241	190	149.2	104.8	26	1.6	8-φ22
3"	80	282	210	168.3	127	29	1.6	8-φ22
4"	100	305	255	200	157.2	32	1.6	8-φ22
5"	125	381	280	235	185.7	35	1.6	8-φ22
6"	150	403	320	269.9	215.9	37	1.6	12-φ22
8"	200	502	380	330.2	269.9	42	1.6	12-φ25
10"	250	568	445	387.4	323.8	48	1.6	16-φ29
12"	300	648	520	450.8	381	51.5	1.6	16-φ32
14"	350	762	585	514.4	412.8	54.5	1.6	20-φ32
16"	400	838	650	571.5	469.9	57.5	1.6	20-φ35
18"	450	914	710	628.6	533.4	61	1.6	24-φ35
20"	500	991	775	685.8	584.2	64	1.6	24-φ35
24"	600	1143	915	812.8	692.2	70.5	1.6	24-φ42

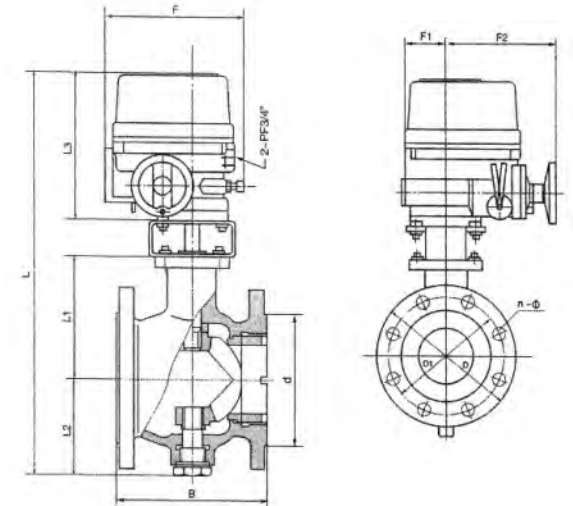
美标(ANSI): 900LB 单位: mm

公称直径 Nominal Diameter		L	D	D1	D2	b	f	Z-φd
in	DN							
2"	50	368	215	165.1	92.1	44.5	6.4	8-φ25
2 1/2"	65	419	245	190.5	104.8	48	6.4	8-φ29
3"	80	381	240	190.5	127	44.5	6.4	8-φ25
4"	100	457	290	235	157.2	51	6.4	8-φ32
5"	125	559	350	279.4	185.7	57.5	6.4	8-φ35
6"	150	610	380	317.5	215.9	62	6.4	12-φ32
8"	200	737	470	393.7	269.9	70	6.4	12-φ38
10"	250	838	545	469.9	323.8	76.5	6.4	16-φ38
12"	300	965	610	533.4	381	86	6.4	20-φ38
14"	350	1029	640	558.8	412.8	92.5	6.4	20-φ42
16"	400	1130	705	616	469.9	95.5	6.4	20-φ45
18"	450	1219	785	685.8	533.4	108	6.4	20-φ51
20"	500	1321	855	749.3	584.2	114.5	6.4	20-φ54
24"	600	1549	1040	901.7	692.2	146.5	6.4	20-φ67

HIGH PERFORMANCE V BALL VALVE
GB, ANSI, JIS, DIN, BS
高性能V型球阀

ZSHVY 系列气动V型球阀
ZSHVY series pneumatic
V ball valve

ZSHVR 系列电子式电动V型球阀
ZSHVR series electronic type electric
V ball valve



概要
Summary

V型高性能球阀的阀芯具有V形口球体, 是一种以改变V形切口面积来调节流体流量的旋转式调节阀。它特别适用于含有纤维或带有颗粒状物的介质。如纸浆生产、污水处理以及油品稳压输油管线等场合的控制。该阀芯上下端设有转动轴, 阀座带有增能环可以调节密封力, 阀关闭时V形开口与阀座产生楔形剪切力, 使密封性能优于O形球阀、闸板阀、闸阀等阀门, 它主要应用于石化、造纸、电力、轻工、水处理厂等工业部门。

The valve plug of the high performance V ball valve is a V ball, which is a kind of rotary control valve that controls fluid flow through changing the V cut area. It is especially suitable for controlling media containing fibers or granules, such as control in applications such as paper pulp production, sewage treatment, oil product pressure stabilizing oil transportation pipeline, etc. The plug is provided with the rotary shaft at the upper and lower ends. The seat is provided with the booster ring for controlling the sealing force. When the valve is opened or closed, the V cut produces wedge shearing force with the seat, so that the sealing performance is superior to that of O ball valve, gate valve, etc. It is mainly applied in such industries as petrochemical industry, paper & pulp, light industry, water treatment, etc.

特点
Features

- V形切口具有可调比大和等百分比流量特性, 实现了对压力和流量的平稳调节。
- 结构简单、体积小、重量轻、流畅畅通。
- 采用大螺母弹性自动补偿结构, 对阀座和阀芯的密封面进行有效的调节, 从而达到良好的密封性能。
- 带有偏心的阀芯、阀座结构, 能减少自身的磨损。
- V形切口与阀座产生楔形剪切作用, 能切断含有纤维状的介质, 特别适合于粘度较大、含纤维及颗粒状的介质的开启与调节。
- The V cut has large adjustable ratio and equal percentage flow characteristic, realizing stable control of pressure and flow.
- Simple structure, small volume, light weight, smooth flow channel.
- Provided with large nut elastic automatic compensation structure to effectively control the sealing face of seat and plug and realize good sealing performance.
- The eccentric plug and seat structure can reduce wear.
- The V cut produces wedge shearing force with the seat to shut off media containing fibers. It is especially suitable for opening and controlling media of high viscosity and media containing fibers and granules.

HIGH PERFORMANCE V BALL VALVE
GB, ANSI, JIS, DIN, BS
高性能V型球阀

主要技术参数
Main technical parameters

阀体

型式: 偏心角行程整体球体 夹套型球
公称通径(DN): 1"~20"
公称压力(PN): ANSI 150LB-900LB
连接方式: 法兰连接或对夹式
材质: A216-WCB, A351-CF8, A351-CF8M(或锻铸件)
填料: 石棉浸四氟、聚四氟乙烯、柔性石墨
按用户需要也可提供保温夹套式球阀

阀内组件

阀芯型式: 含V形切口的部份球面球形球
阀芯材料: A351-CF8, CF8M 碳化处理或表面喷焊硬质合金阀座材质及使用温度:
软密封(R): 聚四氟乙烯 -20~+180°C
填充四氟 -20~+180°C
对位聚苯 -40~+350°C
硬密封(y): A351-CF8, CF8M
碳化或表面喷焊硬质合金
-40~+450°C
阀轴材料: A276-420, A564-630
轴套材料: A182-F304, A182-F316
(氮化处理)或WMS(高温合金)

图1 软密封型

阀芯: A351-CF8, A351-CF8M
阀座材质: 聚四氟乙烯、填充四氟、对位聚苯
阀座泄漏量: 零泄漏

图2 钢片式金属密封

阀芯材质: A351-CF8, CF8M氮化或表面喷焊
阀座材质: 3J1, Inconel 不锈钢薄板
阀座泄漏量: 按 ANSI B16.104 IV-VI级密封
额定 KVx0.001% 以内(250°C)
额定 KVx0.005% 以内(400°C)

Body

Type: eccentric angular travel integral ball, jacket ball
Nominal diameter (DN): 1"~20"
Nominal pressure (PN): ANSI 150LB-900LB
Type of connection: flange connection or wafer type
Material: A216-WCB, A351-CF8, A351-CF8M (or forgings)
Packing: PTFE impregnated asbestos, PTFE, flexible graphite
Heat preservation jacket butterfly valve can also be offered according to user requirements.

Trim

Plug type: spherical ball with V cut
Plug material: A351-CF8, CF8M carbonizing or surface hard alloy spray welding
Seat material and working temperature:
soft seal (R): PTFE -20~+180°C
filled PTFE -20~+180°C
PPL -40~+350°C
hard seal (y): A351-CF8, CF8M
carbonizing or surface hard alloy spray welding
-40~+450°C
Valve shaft material: A276-420, A564-630
Sleeve material: A182-F304, A182-F316 (nitriding)
or WMS (high temperature alloy)

Figure 1 Soft seal type

Plug: A351-CF8, A351-CF8M
Seat material: PTFE, filled PTFE, PPL
Seat leakage: zero leakage

Figure 2 Steel sheet type metal seal

Plug material: A351-CF8, CF8M nitriding or surface spray welding
Seat material: 3J1, Inconel stainless steel sheet
Seat leakage: As per ANSI B16.104 class IV-VI sealing
Rated within KVx0.001% (250°C)
Rated within KVx0.005% (400°C)

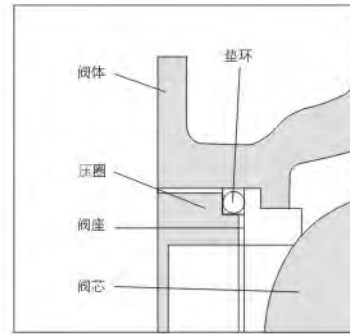


图1 软密封结构局部图
Figure 1 Soft seal structural diagram

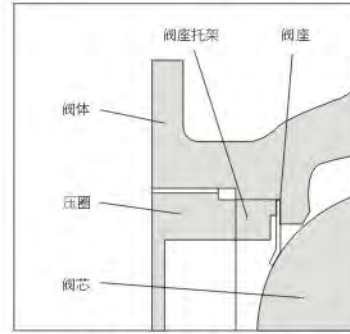


图2 钢片式金属密封结构局部图
Figure 2 Steel sheet type metal hard seal structural diagram

ZKRVRY-16外形与连接尺寸
ZKRVRY-16 outline and connection dimensions

执行机构型号 Actuator Model	DN	法兰连接尺寸 Flange connection dimensions				外形尺寸 Outline dimensions							
		D	D1	d	n-φ	L	L1	L2	L3	B	F	F1	F2
NAPCU	25	115	85	65	4-φ14	450	81	52	255	75	181	56	175
	32	140	100	76	4-φ18	470	88	65	255	100	181	56	175
	40	150	110	84	4-φ18	473	88	68	255	100	181	56	175
	50	165	125	99	4-φ18	488	90	76	255	104	181	56	175
	65	185	145	118	4-φ18	561	112	96	255	160	181	56	175
	80	200	160	132	8-φ18	586	121	112	255	160	181	56	175
	100	220	180	156	8-φ18	607	132	122	255	180	181	56	175
	125	250	210	184	8-φ18	668	157	144	255	200	181	56	175
	150	285	240	211	8-φ22	693	172	154	255	230	224	77	184
	200	340	295	266	12-φ22	768	210	191	255	270	224	77	184
	250	405	355	319	12-φ26	901	257	210	302	297	258	83	202
	300	460	410	370	12-φ26	921	257	230	302	338	258	83	202
	350	520	470	429	16-φ29	1062	290	277	343	350	307	99	226
	400	580	525	480	16-φ30	1117	320	302	343	365	307	99	226
	450	640	585	548	20-φ30	1255	400	353	343	450	297	99	226
	500	715	650	609	20-φ33	1282	400	380	343	500	297	99	226

HIGH PERFORMANCE V BALL VALVE
GB, ANSI, JIS, DIN, BS
高性能V型球阀

ZKRVRY-64外形与连接尺寸
ZKRVRY-64 outline and connection dimensions

执行机构型号 Actuator Model	DN	法兰连接尺寸 Flange connection dimensions				外形尺寸 Outline dimensions							
		D	D1	d	n-φ	L	L1	L2	L3	B	F	F1	F2
NAPCU	25	135	100	78	4-φ19	450	81	52	255	85	181	56	175
	32	150	110	82	4-φ23	470	88	65	255	114	181	56	175
	40	165	125	95	4-φ23	473	88	68	255	114	181	56	175
	50	175	135	105	4-φ23	488	90	76	255	124	181	56	175
	65	200	160	130	8-φ23	561	112	96	255	165	181	56	175
	80	210	170	140	8-φ23	586	121	112	255	180	181	56	175
	100	225	200	168	8-φ25	607	132	122	255	194	181	56	175
	125	295	240	202	8-φ30	668	157	144	255	230	181	56	175
	150	340	280	240	8-φ34	693	172	154	255	260	224	77	184
	200	405	345	300	12-φ34	768	210	191	255	297	224	77	184
	250	470	400	352	12-φ41	101	257	210	302	320	258	83	202
	300	530	460	412	16-φ41	921	257	230	302	345	258	83	202
	350	595	525	475	16-φ41	1062	290	277	343	400	307	99	226
	400	670	585	525	16-φ48	1117	320	302	343	400	307	99	226
	500	800	705	640	20-φ54	1282	400	380	343	550	297	99	226

ZKRVRY-20(ANSI150Lb RF)外形与连接尺寸
ZKRVRY-20(ANSI150Lb Therefore) outline and connection dimensions

执行机构型号 Actuator Model	DN	法兰连接尺寸 Flange connection dimensions				外形尺寸 Outline dimensions							
		D	D1	d	n-φ	L	L1	L2	L3	B	F	F1	F2
NAPCU	25	108	79.5	51	4-φ15	450	81	52	255	75	181	56	175
	32	117	89	64	4-φ15	470	88	65	255	100	181	56	175
	40	127	98.5	73	4-φ15	473	88	68	255	100	181	56	175
	50	152	120.5	92	4-φ19	488	90	76	255	104	181	56	175
	65	178	139.5	105	4-φ19	561	112	96	255	160	181	56	175
	80	190	152.5	127	4-φ19	586	121	112	255	160	181	56	175
	100	229	190.5	157	8-φ19	607	132	122	255	180	181	56	175
	125	254	216	186	8-φ22	668	157	144	255	200	181	56	175
	150	279	241.5	216	8-φ22	693	172	154	255	230	224	77	184
	200	343	298.5	270	8-φ22	768	210	191	255	270	224	77	184
	250	406	362	324	12-φ25	901	257	210	302	297	258	83	202
	300	483	432	381	12-φ25	921	257	230	302	338	258	83	202
	350	533	476	413	12-φ29	1062	290	277	343	350	307	99	226
	400	597	540	470	16-φ29	1117	320	302	343	365	307	99	226
	450	635	578	533	16-φ32	1255	400	353	343	450	297	99	226
	500	699	635	684	20-φ32	1282	400	380	343	500	297	99	226

HIGH PERFORMANCE V BALL VALVE
GB, ANSI, JIS, DIN, BS
高性能V型球阀

ZKRVRY-64(ANSI300Lb RF)外形与连接尺寸
ZKRVRY-64(ANSI300Lb Therefore) outline and connection dimensions

执行机构型号 Actuator Model	DN	法兰连接尺寸 Flange connection dimensions				外形尺寸 Outline dimensions							
		D	D1	d	n-φ	L	L1	L2	L3	B	F	F1	F2
NAPCU	25	124	89	51	4-φ19	450	81	52	255	85	181	56	175
	32	135	98.5	63.5	4-φ22	470	88	65	255	114	181	56	175
	40	156	114.5	73	4-φ22	496	205	74	255	114	181	56	175
	50	165	127	92	8-φ19	499	102	80	255	124	181	56	175
	65	190	149	105	8-φ22	572	120	99	255	165	181	56	175
	80	210	168	127	8-φ22	590	125	112	255	180	181	56	175
	100	254	200	157	8-φ22	606	132	121	255	194	181	56	175
	125	279	235	186	8-φ22	654	157	130	255	230	181	56	175
	150	318	270	216	12-φ22	704	182	155	255	260	224	77	184
	200	381	330	270	12-φ25	772	225	180	255	297	224	77	184
	250	444	387.5	324	16-φ29	914	270	210	302	320	258	83	202
	300	521	451	381	16-φ32	964	290	240	302	345	258	83	202
	350	584	514.5	413	20-φ32	1085	310	280	343	400	307	99	226
	400	648	571.5	470	20-φ35	1172	358	319	343	400	307	99	226
	450	711	628.5	533	24-φ35	1347	450	395	343	450	297	99	226
	500	775	686	584	24-φ35	1362	450	410	343	500	297	99	226

ZKRVRY-100(ANSI600Lb RF)外形与连接尺寸
ZKRVRY-100(ANSI600Lb Therefore) outline and connection dimensions

执行机构型号 Actuator Model	DN	法兰连接尺寸 Flange connection dimensions				外形尺寸 Outline dimensions							
		D	D1	d	n-φ	L	L1	L2	L3	B	F	F1	F2
NAPCU	25	125	89	50.8	4-φ20	454	85	52	255	105	224	77	184
	32	135	98.5	63.5	4-φ20	472	90	65	255	125	224	77	184
	40	155	114.5	73	4-φ22	548	110	74	302	140	258	83	202
	50	165	127	92.4	8-φ20	554	110	80	302	150	258	83	202
	65	190	149	104.8	8-φ22	649	150	99	302	195	258	83	202
	80	210	168.5	127	8-φ22	672	160	112	302	205	258	83	202
	100	275	216	157.2	8-φ26	688	165	121	302	240	258	83	202
	125	330	267	185.7	8-φ30	750	170	125	343	260	307	99	226
	150	355	292	215.9	12-φ30	817	202	160	343	280	307	99	226
	200	420	349	269.9	12-φ33	865	225	185	343	350	307	99	226
	250	510	432	323.8	16-φ36	955	270	210	343	380	397	99	226
	300	560	489	381	20-φ36	1015	290	250	343	400	297	99	226
	350	605	527	412.8	20-φ39	1145	350	300	343	415	297	99	226

METAL SEATED BALL VALVES
GB, ANSI, JIS, DIN, BS
金属密封球阀

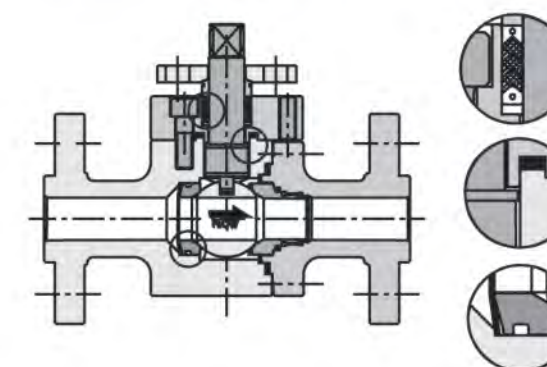
金属密封法兰球阀
Metal seated Flanged Ball valves



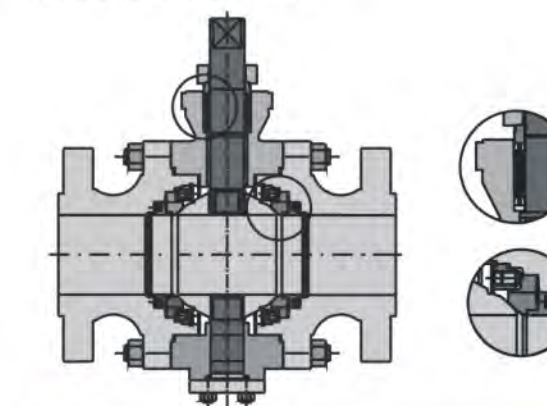
具备如下特点

1. 阀体可以选择锻钢或铸钢，结构可选浮动或固定式。
2. 高精度的球体加工与高精度的阀座配合，可以达到ANSI B16.104 VI 泄漏标准。
3. 固定式结构实现了金属球阀双向密封。
4. 可靠的操作，较小的开启力矩；阀座自身带有一体的膜片式弹簧，由于弹簧自身预紧力作用，开或关位时均可保证阀门较小的力矩，从而保证了操作的可靠性。
5. 火灾安全：由于采用了全金属结构，保证了阀门本身的火灾安全。
6. 最高温度应用可以到550°C (1022° F)。采用航天高速喷焊的球体与阀座，其硬度可以达到HRC70-72，其应用的温度范围高达550°C。
7. 连接方式：对焊或插焊，DIN法兰或ANSI法兰。

浮动球阀Floating Type
(单向密封Uni-Directional Flow)



固定球阀Trunnion Type
(双向密封Bi-Directional Flow)

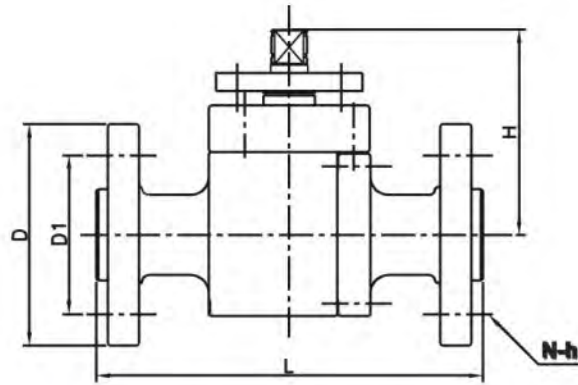


Features

1. The series valves use forge steel or cast steel as their body material. The structure can be floating type or trunnion type ball supports.
2. High precision machining results in superior ball and seat interfacing for tight shut off conforming to leakage standard of ANSI B16.104 class VI.
3. Flow direction for floating mounted type is uni-directional. Trunnion mounted type is fully bi-directional with double-block-and-bleed capability.
4. Dependable operations with low operating torque: Diaphragm spring loaded seat maintain close contact with the ball assuring tight sealing even at low pressure. This results in low opening and closing torques.
5. Fire safe: The combination of metal seats and graphite seals insure fire-safe capabilities.
6. The highest service applications temperature are up to 550°C (1022° F). The ball and seat hardened by spaceflight high-speed overlay. And hardness meets HRC 70-72 °C.
7. End connections: DIN or ANSI flange, butt weld or socket weld.

METAL SEATED BALL VALVES
GB, ANSI, JIS, DIN, BS
金属密封球阀

浮动球阀尺寸
Floating Type Dimensions

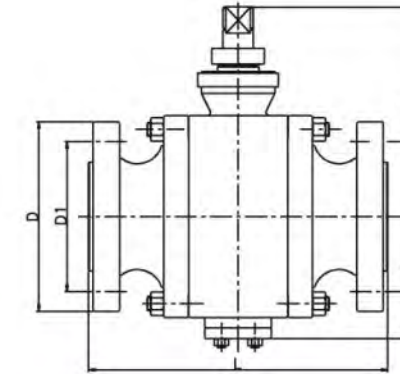


单位Unit: mm

ANSI Class	Valve Size	L	φD	φD1	H	N-h	Weight Kg
150	15(1/2')	108	89	60.5	59	6-16	2.3
	20(3/4')	117	98	70	63	4-16	3
	25(1')	127	108	79.5	75	4-16	4.5
	40(1-1/2')	165	127	98.5	97	4-16	7.7
	50(2')	178	152	120.5	107	4-19	10.4
	65(2-1/2')	190	165	139.5	142	4-19	19
	80(3')	203	190	152.5	152	4-19	23
	100(4')	229	229	190.5	197	4-19	33.5
	150(6')	394	279	241.5	297	8-22	68
	200(8')	457	343	298.5	368	8-22	107
300	15(1/2')	140	95	65.5	59	4-16	2.5
	20(3/4')	152	117	82.5	63	4-19	3.2
	25(1')	165	124	89	75	4-19	5
	40(1-1/2')	190	156	114.5	97	4-22	11
	50(2')	216	165	127	107	8-19	15
	65(2-1/2')	241	190	149	142	8-22	23.5
	80(3')	282	210	168.5	152	8-22	35.5
	100(4')	305	255	200	197	8-22	41
	150(6')	403	318	270	297	12-22	105
	200(8')	502	381	330	368	12-28	120
600	15(1/2')	165	95	66.5	75	4-16	3.5
	20(3/4')	190	117	82.5	80	4-19	6.2
	25(1')	216	124	89	101	4-19	8.3
	40(1-1/2')	240	156	114.5	111	4-22	13.5
	50(2')	292	165	127	162	8-19	19

METAL SEATED BALL VALVES
GB, ANSI, JIS, DIN, BS
金属密封球阀

固定球阀尺寸
Trunnion Type Dimensions



单位Unit: mm

ANSI Class	Valve Size	L	φD	φD1	H	N-h	Weight Kg
150	50(2')	178	150	120.5	152	165	28
	80(3')	203	190	152.5	195	204	54
	100(4')	229	229	190.5	213	217	84
	150(6')	394	280	241.5	265	235	183
300	50(2')	216	165	127	153	165	30
	80(3')	282	210	168.5	195	204	60
	100(4')	305	255	200	213	217	100
600	150(6')	403	320	270	265	235	204
	50(2')	292	165	127	168	141	32
	80(3')	356	210	168.5	208.5	167	64
	100(4')	432	275	216	244	203	122
900	150(6')	559	355	292	275	242	267
	50(2')	368	215	165	167	141	55
	80(3')	381	240	190.5	208	167	97
	100(4')	457	290	235	244	202.5	162
	150(6')	618	380	317.5	275	226	390

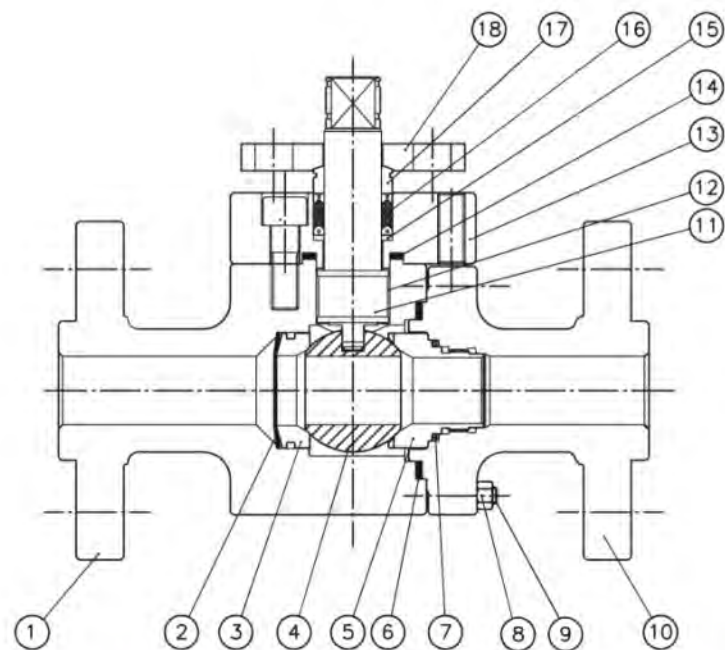
阀体温度压力表
Valve Body Temperature/Pressure Table

Max Operating Temperature To DIN °C	Maximum Operating Pressure To DIN2401					
	PN40		PN63		PN100	
	A105	ASTM A182 F316	A105	ASTM A182 F316	A105	ASTM A182 F316
-10~20	40	40	63	63	100	100
120	40	40	63	63	100	100
200	35	35	50	50	80	80
250	32	32	45	45	70	70
300	28	28	40	40	60	60
350	24	24	36	36	56	56
400	21	21	32	32	50	50
425	-	-	-	-	-	-
450	-	-	-	-	-	-
550	-	-	-	-	-	-
550	-	-	-	-	-	-

Max Operating Temperature To DIN °C	Maximum Operating Pressure To ANSI					
	CLASS 150		CLASS 300		CLASS 600	
	A105	ASTM A182 F316	A105	ASTM A182 F316	A105	ASTM A182 F316
-29~38	19.6	19.0	51.1	49.6	102.1	99.3
100	17.7	16.2	46.4	42.2	92.8	84.5
200	14.0	13.7	43.8	35.7	90.5	71.2
250	12.1	12.1	41.7	33.4	83.4	66.7
300	10.2	10.2	38.7	31.6	77.5	63.1
350	8.4	8.4	37.0	30.4	73.9	63.1
400	6.5	6.5	34.5	29.3	69.0	58.9
425	5.6	5.6	28.8	29.0	57.5	58.3
450	4.7	4.6	20.0	29.0	40.1	57.7
500	2.8	2.8	8.8	27.3	17.6	54.8
550	-	16.2	-	23.8	-	47.8

METAL SEATED BALL VALVES
GB, ANSI, JIS, DIN, BS
金属密封球阀

浮动球阀
Floating Type



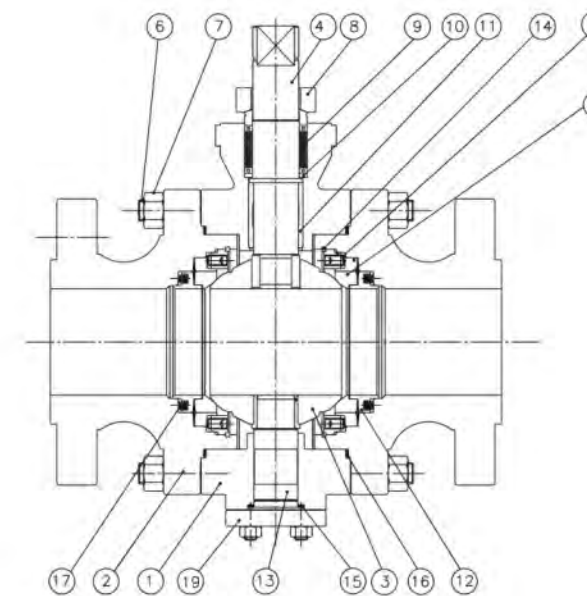
零部件名称及材料 Part & Materials

件号 Number	名称 PART NAME	材料 MATERIAL
1	阀体BODY	A105
2	弹簧SPRING	INCONEL X-750
3	阀座SEAT	A182F304+STL
4	球体BALL	A182 F304+SFNI
5	阀座SEAT	A182F304+STL
7	垫片GASKET	A182 F304+ GRAPHITE
6	阀座垫片SEAT GASKET	FLEXIBLE GRAAPHITE
8	螺母NUT	A194 2H
9	螺栓STUD	A193 B7
10	左体BODY CAP	A105
11	阀杆STEM	JIS SUS 329J1
12	阀杆轴承STEM BEARING	FLEXIBLE GRAPHITE
13	填料箱STUFFING BOX	A105
14	垫片GASKET	A182 F304+ GRAPHITE
15	止推轴承THRUST BEARING	A182 F304
16	填料PACKING	FLEXIBLE GRAPHITE
17	填料压环GLAND RING	A182 F304
18	填料压盖GLAND	A182 F304

根据用户的要求及实际工况,也可提供其他材料,如:双相不锈钢、哈氏合金、蒙内尔。
According to local conditions and request of customers, We can supply the ball valves with other materials, such as: Duplex, Hastelloy C, Monel alloy.

METAL SEATED BALL VALVES
GB, ANSI, JIS, DIN, BS
金属密封球阀

固定球阀
Trunnion Type



零部件名称及材料 Part & Materials

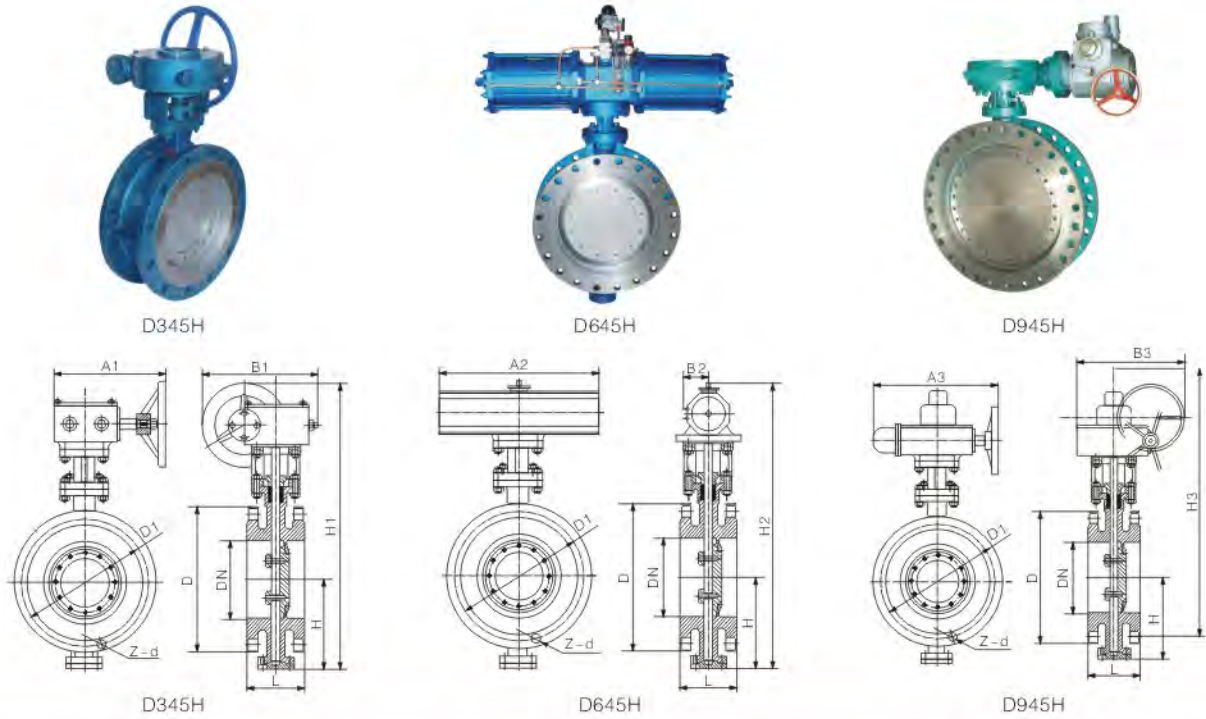
件号 Number	名称 PART NAME	材料 MATERIAL
1	阀体BODY	A105
2	左右体BODY CAP	A105
3	球体BALL	A182 F304+SFNI
4	阀杆STEM	JIS SUS 329J1+SFNI
5	阀座SEAT	A182F304+STL
7	螺栓STUD	A193 B7
6	螺母NUT	A194 2H
8	填料压盖GLAND	A105
9	填料PACKING	FLEXIBLE GRAPHITE
10	止推轴承THRUST BEARING	A182 F304
11	阀杆轴承STEM BEARING	A182 F304+STL
12	阀座底座SEAT RETAINER	A105
13	下阀杆LOWER STEM	JIS SUS 329J1+SFNI
14	挡圈SNAP RING	A182 F304
15	垫片GASKET	A182 F304+GRAPHITE
16	垫片GASKET	A182 F304+GRAPHITE
17	弹簧SPRING	INCONEL X-750
18	紧定螺钉SOCKET	A182F316
19	底盖LOWER COVER	A105

根据用户的要求及实际工况,也可提供其他材料,如:双相不锈钢、哈氏合金、蒙内尔。
According to local conditions and request of customers, We can supply the ball valves with other materials, such as: Duplex, Hastelloy C, Monel alloy.

FLANGED MULTI-LAYER METALLIC HARD SEALING BUTTERFLY VALVE

GB, ANSI, JIS, DIN, BS

法兰式多层次金属硬密封蝶阀



法兰式多层次金属硬密封蝶阀 Flange type multiple layers metallic hard sealing butterfly valve

公称通径DN Nominal diameter	结构长度(标准值) Structure length (standard)		H	外形尺寸(参考值)External dimension(consult)									连接尺寸(标准值) Connection dimension(standard)					
	短Brief	长Long		D345H			D645H			D945H			PN0.6MPa			PN1.0MPa		
毫米mm			H1	A1	B1	H2	A2	B2	H3	A3	B3	D	D1	Z-d	D	D1	Z-d	
50	108	150	112	350	180	200	625	245	72	530	250	255	140	110	4-14	165	125	4-18
65	112	170	115	370	180	200	625	245	72	530	250	255	160	130	4-14	185	145	4-18
80	114	180	120	380	180	200	645	245	72	565	250	255	190	150	4-18	200	160	8-18
100	127	190	138	420	180	200	675	355	92	600	250	255	210	170	4-18	220	180	8-18
125	140	200	164	460	180	200	715	355	92	640	250	255	240	200	8-18	250	210	8-18
150	140	210	175	555	270	280	800	355	92	705	300	315	265	225	8-18	285	240	8-22
200	152	230	200	760	400	425	850	250	170	775	300	315	320	280	8-18	340	295	8-22
250	165	250	243	830	400	425	925	250	170	945	300	315	375	335	12-18	395	350	12-22
300	178	270	250	895	450	560	1035	450	220	1070	300	315	440	395	12-22	445	400	12-22
350	190	290	280	950	450	560	1070	450	220	1140	300	315	490	445	12-22	505	460	16-22
400	216	310	305	1190	535	580	1190	450	220	1210	300	315	540	495	16-22	565	515	16-26
450	222	330	350	1255	535	580	1250	650	280	1335	575	714	595	550	16-22	615	565	20-26
500	229	350	380	1305	535	580	1290	650	280	1415	575	714	645	600	20-22	670	620	20-26
600	267	390	445	1340	570	660	1455	850	380	1605	656	810	840	770	20-36	845	770	20-39
700	292	430	480	1520	750	550	1585	850	380	1844	656	810	910	840	24-36	960	875	24-42
800	318	470	530	1710	750	550	1700	1250	380	2040	656	810	1025	950	24-39	1085	990	24-48
900	330	510	580	1810	750	550	1865	1250	380	2255	785	863	1125	1050	28-39	1185	1090	28-48
1000	410	550	650	1960	900	750	2015	1250	380	2380	785	863	1255	1170	28-42	1320	1210	28-56
1200	470	630	760	2250	1000	925	2250	1250	380	2640	785	863	1485	1390	32-48	1530	1420	32-56
1400	530	710	850	2435	1000	925				2886			1685	1590	36-48	1755	1640	36-62
1600	600	790	1030	2780	1000	925				3156			1930	1820	40-56	1975	1860	40-62
1800	670	870	1230	3020	1100	980				3421			2130	2020	44-56	2195	2070	44-70
2000	760	950	1350	3270	1100	980				3685			2345	2230	48-62	2425	2300	48-70

注: 可提供2200-3200mm口径 Note: offer valve that normal diameter can reach to 2200-3200mm

FLANGED MULTI-LAYER METALLIC HARD SEALING BUTTERFLY VALVE

GB, ANSI, JIS, DIN, BS

法兰式多层次金属硬密封蝶阀

法兰式多层次金属硬密封蝶阀 Flange type multiple layers metallic hard sealing butterfly valve

公称通径DN Nominal diameter	结构长度(标准值) Structure length (standard)	H	外形尺寸(参考值)External dimension(consult)									连接尺寸(标准值) Connection dimension(standard)					
			D345H			D645H			D945H			PN1.6MPa			PN2.5MPa		
毫米mm	短Brief		H1	A1	B1	H2	A2	B2	H3	A3	B3	D	D1	Z-d	D	D1	Z-d
50	108	112	350	180	200	625	245	72	530	250	255	165	125	4-18	165	125	4-18
65	112	115	370	180	200	625	245	72	530	250	255	185	145	4-18	185	145	8-18
80	114	120	380	180	200	645	245	72	565	250	255	200	160	8-18	200	160	8-18
100	127	138	420	180	200	675	355	92	600	250	255	220	180	8-18	235	190	8-22
125	140	164	460	180	200	715	355	92	640	250	255	250	210	8-18	270	220	8-26
150	140	175	555	270	280	800	355	92	705	300	315	285	240	8-22	300	250	8-26
200	152	200	760	400	425	850	250	170	775	300	315	340	295	12-22	380	310	12-26
250	165	243	830	400	425	925	250	170	945	300	315	405	355	12-26	425	370	12-30
300	178	250	895	450	560	1035	450	220	1070	300	315	460	410	12-26	485	430	16-30
350	190	280	950	450	560	1070	450	220	1140	300	315	520	470	16-26	555	490	16-33
400	216	305	1190	535	580	1190	450	220	1210	300	315	580	525	16-30	620	550	16-36
450	222	350	1255	535	580	1250	650	280	1335	575	714	640	585	20-30	670	600	20-36
500	229	380	1305	535	580	1290	650	280	1415	575	714	715	650	20-33	730	660	20-36
600	267	445	1340	570	660	1455	850	380	1605	656	810	840	770	20-36	845	770	20-39
700	292	480	1520	750	550	1585	850	380	1844	656	810	910	840	24-36	960	875	24-42
800	318	530	1710	750	550	1700	1250	380	2040	656	810	1025	950	24-39	1085	990	24-48
900	330	580	1810	750	550	1865	1250	380	2255	785	863	1125	1050	28-39	1185	1090	28-48
1000	410	650	1960	900	750	2015	1250	380	2380	785	863	1255	1170	28-42	1320	1210	28-56
1200	470	760	2250	1000	925	2250	1250	380	2640	785	863	1485	1390	32-48	1530	1420	32-56
1400	530	850	2435	1000	925				2886			1685	1590	36-48	1755	1640	36-62
1600	600	1030	2780	1000	925				3156			1930	1820	40-56	1975	1860	40-62
1800	670	1230	3020	1100	980				3421			2130	2020	44-56	2195	2070	44-70
2000	760	1350	3270	1100	980				3685			2345	2230	48-62	2425	2300	48-70

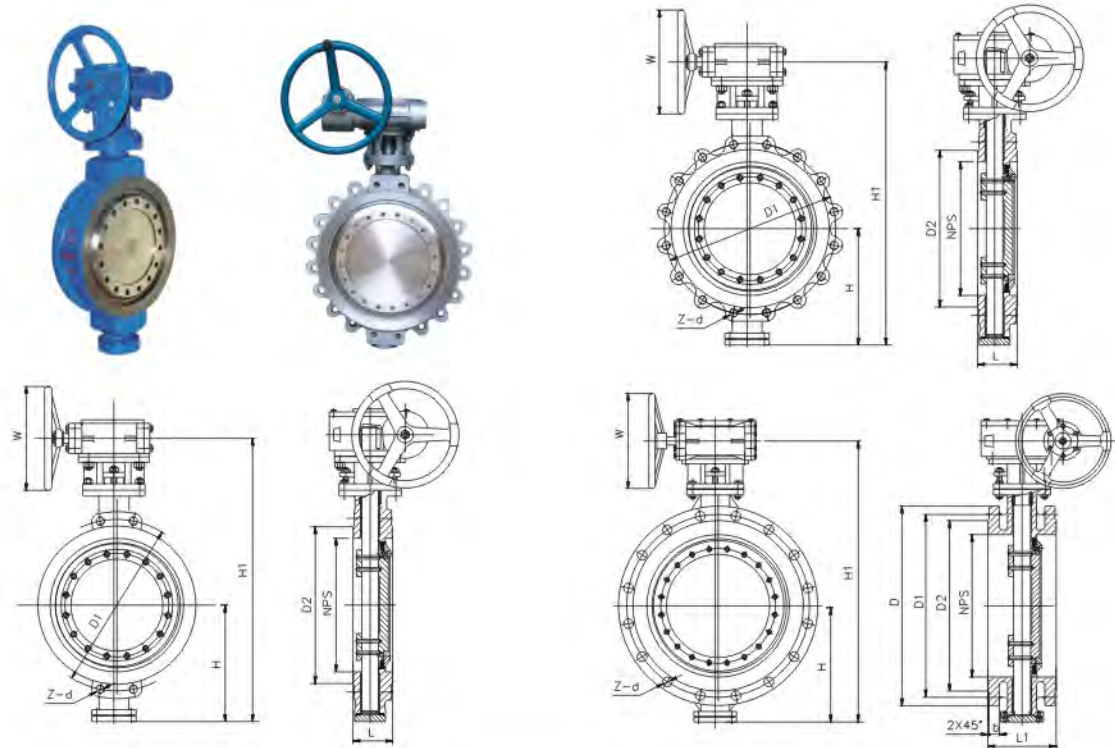
法兰式多层次金属硬密封蝶阀 Flange type multiple layers metallic hard sealing butterfly valve

公称通径DN Nominal diameter	结构长度(标准值) Structure length (standard)		H	外形尺寸(参考值)External dimension(consult)									连接尺寸(标准值) Connection dimension(standard)					
	短Brief	长Long		D345H			D645H			D945H			PN4.0MPa					
毫米mm			H1	A1	B1	H2	A2	B2	H3	A3	B3	D	D1	Z-d	D	D1	Z-d	
50	108	150	112	350	180	200	625	245	72	530	250	255	165	125	4-18	165	125	4-18
65	112	170	115	370	180	200	625	245	72	530	250	255	185	145	8-18	185	145	8-18
80	114	180	120	380	180	200	645	245	72	565	250	255	200	160	8-18	200	160	8-18
100	127	190	138	420	180	200	675	355	92	600	250	255	235	190	8-22	235	190	8-22
125	140	200	164	460	180	200	715	355	92	640	250	255	270	220	8-26	270	220	8-26
150	140	210	175	555	270	280	800	355	92	705	300	315	300	250	8-26	300	250	8-26
200	152	230	200	760	400	425	850	250	170	775	300	315	375	320	12-30	375	320	12-30
250	165	250	243	830	400	425	925	250	170	945	300	315	450	385	12-33	450	385	12-33
300	178	270	250	895	450	560	1035	450	220	1070	300	315	515	450	16-33	450	450	16-33
350	190	290	280	950	450	560	1070	450	220	1140	300	315	580	510	16-36	580	510	16-36
400	216	310	305	1190	535	580	1190	450	220	1210	300	315	660	585	16-39	660	585	16-39
450	222	330	350	1255	535	580	1250	650	280	1335	575	714	714	685	20-39	714	685	20-39
500	229	350	380	1305	535	580	1290	650	280	1415	575	714	755	714	20-42	755	714	20-42

用户注意: 表中H1、H2、H3、L尺寸均可根据用户需要调整, 本产品一般按短系列, 若需长系列或特殊材料定货时提出。
User's attention: Dimension of H1, H2, H3 in form can lengthen (long stem butterfly valve) according to customer's requirements, this product according to short series generally, if need long series or special material should be mentioned while ordering.

DOUBLE FLANGED, LUG TYPE AND WAFER TYPE TRIPLE ECCENTRIC BUTTERFLY VALVE
GB, ANSI, JIS, DIN, BS

双法兰式、凸耳式和对夹式三偏心蝶阀



用途及特点 Purpose and characteristic

蝶阀广泛应用于石油、化工及工业环保水处理、高层建筑、给排水等管道上。其特点为：由于采用的是三偏心结构，密封性能可靠，确保开启时蝶板不接触密封座，消除了密封座不均匀负载，延长了使用寿命，确保可靠的密封性能，具有耐高温、耐磨损、耐腐蚀等优点。

Butterfly valve has been widely utilized in petroleum, chemical industry and industrial environmental protection water treatment, high building, water supplying and draining. The main characteristic is: due to use three eccentric configuration, hermetic capability reliably, which ensure disc never touch sealing seat when it start, solve the problem of hemetical seal burden unequally, prolong service life, and ensure reliable hermetic capability with advantage of high temperature resistant, wearable, antiseptis etc.

采用标准 Adoption standard

设计标准: API 6D;
法兰连接尺寸: ASME B16.5;
结构长度: API 609;
压力试验: API 598;

Design standard: API 609;
Flange connection dimension: ASME B 16.5;
Structure length: API 609;
Pressure test: API 598;

主要技术参数 Main technology parameter

公称直径 Nominal diameter	DN(mm)	2' - 36'	
		2' - 36'	2' - 36'
公称压力 Nominal pressure	PN(MPa)	150Lb	300Lb
试验压力 Ps(MPa) Test pressure	强度试验 Shell test	3.0	7.5
	密封试验 Seal test	2.2	5.5
适用介质 Appropriate medium	水、蒸汽、油品、海水等 Water, steam, oil, seawater		
适用温度 Appropriate temperature	-29 ~ 350°C		

主要零件的材质 Material for main parts

零件名称 Parts name	材料 Material
阀体 Body	WCB, 304, 316, CF8, CF8M, CF3, CF3M
阀板 Disc	WCB, 304, 316, CF8, CF8M, CF3, CF3M
阀杆 Stem	304, 316, 420, 304L, 316L
密封圈 Seal ring	304, 316, 氟塑料 Fluorine plastic
填料 Packing	柔性石墨、氟塑料 Flexible graphite, fluorine plastic

DOUBLE FLANGED, LUG TYPE AND WAFER TYPE TRIPLE ECCENTRIC BUTTERFLY VALVE
GB, ANSI, JIS, DIN, BS

双法兰式、凸耳式和对夹式三偏心蝶阀

D3⁴/₅W^H-150Lb C. P. R. V 系列 Series

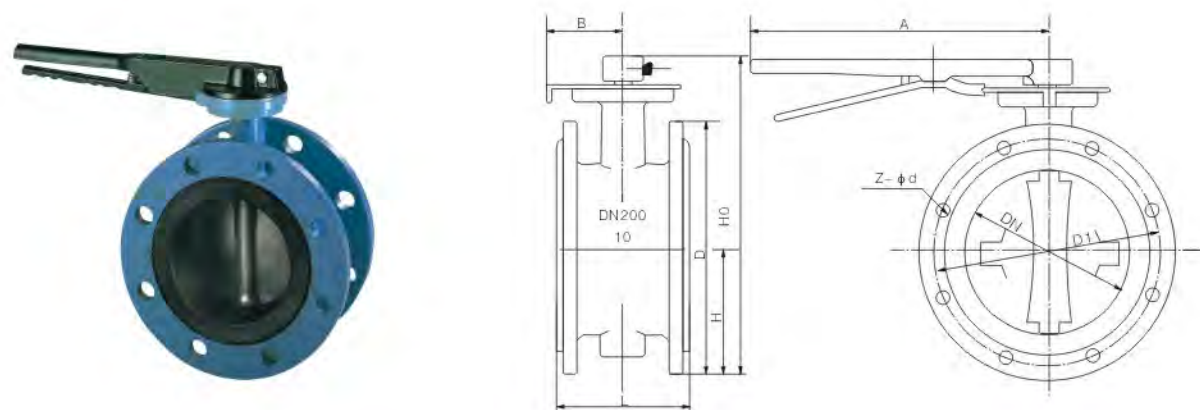
公称直径 DN Nominal diameter		结构长度(标准值) Structure length(standard)				外形尺寸(参考值) External dimension(consult)				连接尺寸(标准值) Connection dimension(standard)							
		L		L1		H		H1		D		D1		D2		M	Z-d
英寸 inch	毫米 mm	英寸 inch	毫米 mm	英寸 inch	毫米 mm	英寸 inch	毫米 mm	英寸 inch	毫米 mm	英寸 inch	毫米 mm	英寸 inch	毫米 mm	英寸 inch	毫米 mm		
2'	50	1.69	43	4.25	108	4.33	110	13.58	345	6.00	152	4.75	120.5	3.62	92	W518-11	4-19
3'	80	1.88	48	4.50	114	4.92	125	14.96	380	7.50	190	6.00	152.5	5.00	127	W518-11	4-19
4'	100	2.12	54	5.00	127	5.70	145	16.34	415	9.00	229	7.50	190.5	6.19	157	W518-11	8-19
5'	125	2.20	56	5.50	140	6.50	165	17.91	455	10.00	254	8.50	216	7.32	186	W314-10	8-22
6'	150	2.25	57	5.50	140	6.89	175	21.45	545	11.00	279	9.50	241.5	8.50	216	W314-10	8-22
8'	200	2.50	64	6.00	152	8.26	210	24.21	645	13.50	343	11.75	298.5	10.62	270	W314-10	8-22
10'	250	2.81	71	6.50	165	9.84	250	27.36	695	16.00	406	14.25	362	12.75	324	W718-9	12-25
12'	300	3.19	81	7.00	178	11.24	285	32.78	830	19.00	483	17.00	432	15.00	381	W1-8	12-25
14'	350	3.62	92	7.50	190	12.60	320	35.43	900	21.00	533	18.75	476	16.25	413	W1-8	12-29
16'	400	4.00	102	8.50	216	13.98	355	38.58	980	23.50	597	21.25	540	18.50	470	W11/8-8	16-29
18'	450	4.50	114	8.74	222	14.96	380	40.55	1030	25.00	635	22.75	578	21.00	533	W11/8-8	16-32
20'	500	5.00	127	9.00	229	16.34	415	43.70	1110	27.50	699	25.00	635	23.00	584	W11/4-8	20-32
24'	600	6.06	154	10.50	267	18.70	475	51.37	1305	32.00	813	29.50	749.5	27.25	692	W11/4-8	20-35
30'	750	6.50	165	11.50	292	22.38	580	60.03	1525	38.75	985	36.00	914	33.75	857	W11/4-8	28-35
32'	800	7.50	190	12.50	318	24.80	630	62.40	1585	41.75	1060	38.50	978	36.00	914	W11/2-8	28-42
36'	900	8.00	203	13.00	330	26.77	680	69.48	1765	46.00	1168	42.75	1085	40.25	1022	W11/2-8	32-42

DE375^HW^H150Lb C. P. R. V 系列 Series

公称直径 DN Nominal diameter		结构长度(标准值) Structure length(standard)				外形尺寸(参考值) External dimension(consult)				连接尺寸(标准值) Connection dimension(standard)					
		L		L1		H		H1		D1		D2		M	Z-d
英寸 inch	毫米 mm	英寸 inch	毫米 mm	英寸 inch	毫米 mm	英寸 inch	毫米 mm	英寸 inch	毫米 mm	英寸 inch	毫米 mm	英寸 inch	毫米 mm		
6'	150	2.25	57	6.89	175	21.45	545	9.50	241.5	8.50	216			W314-10	8-22
8'	200	2.50	64	8.26	210	24.21	615	11.75	298.5	10.62	270			W314-10	8-22
10'	250	2.81	71	9.84	250	27.36	695	14.25	362	12.75	324			W718-9	12-25
12'	300	3.19	81	11.24	285	32.78	830	17.00	432	15.00	381			W718-9	12-25
14'	350	3.62	92	12.60	320	35.43	900	18.75	476	16.25	413			W1-8	12-29
16'	400	4.00	102	13.98	355	38.58	980	21.25	540	18.50	470			W1-8	16-29
18'	450	4.50	114	14.96	380	40.55	1030	22.75	578	21.00	533			W11/8-8	16-32
20'	500	5.00	127	16.34	415	43.70	1110	25.00	635	23.00	584			W11/8-8	20-32
24'	600	6.06	154	18.70	475	51.37	1305	29.50	749.5	27.25	692			W11/4-8	20-35
30'	750	6.50	165	22.38	580	60.03	1525	36.00	914	33.75	857			W11/4-8	28-35
36'	900	8.00	203	26.77	680	69.48	1765	42.75	1085	40.25	1022			W11/2-8	32-42

注: 以上对夹式、对夹凸耳式、法兰式三种, 传动方式有手动、蜗轮、气动和电动。用户订货时说明。 Attention: Above three sorts such as wafer, wafer protruding ears, flange, driving mode such as manual, worm wheel, pneumatic, and electric, user should specify when ordered.

HAND OPERATED AND GEAR OPERATED FLANGED BUTTERFLY VALVE
GB, ANSI, JIS, DIN, BS
手动、蜗轮传动法兰式蝶阀



D41^X_{F-10}⁶C 连接尺寸 Series connection dimensions

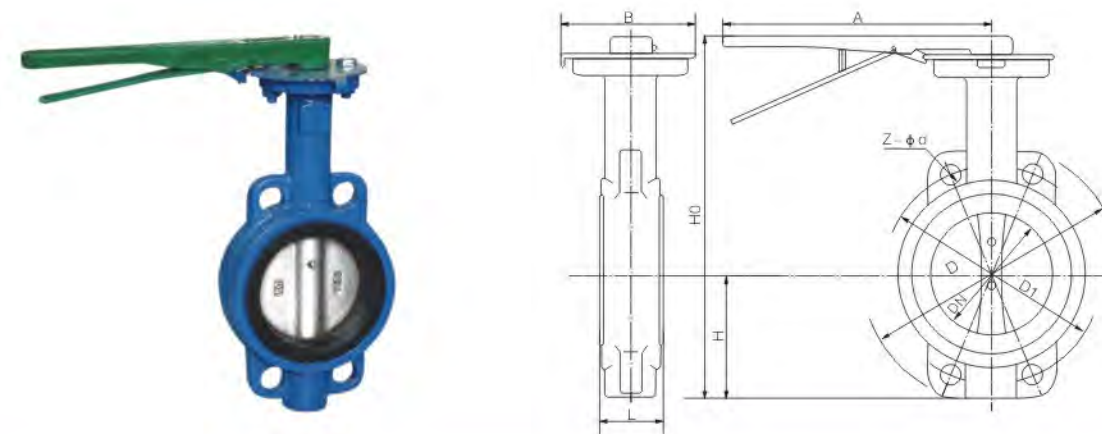
口径 (DN) Diameter	L	D1	D	Z-φd	H	H0	A	B	W/Kgs
50	108	125	165	4-14	82.5	238	270	65	8.5
65	112	145	185	4-18	92.5	258	270	65	9.5
80	124	160	200	8-18	100	278	270	65	11
100	127	180	220	8-18	110	293	270	65	15
125	140	210	250	8-18	125	309	310	65	21
150	140	240	285	8-22	142.5	636	310	65	24
200	152	295	340	8-22	170	514	365	90	41

D₃41^X_{F-10}⁶C、P、R、Z 连接尺寸 Series connection dimensions

口径 (DN) Diameter	L	D1	D	Z-φd	H	H0	A	B	D0	W/Kgs
50	108	125	165	4-18	63	306	193	125	13	50
65	112	145	185	4-18	70	321	193	125	14	65
80	114	160	200	8-18	83	346	193	125	15.5	80
100	127	180	220	8-18	105	387	193	125	19.5	100
125	140	210	250	8-18	115	411	193	125	25.5	125
150	140	240	285	8-22	137	447	193	125	28.5	150
200	152	295	340	8-22	164	572	283	165	48	200
250	165	350	395	12-22	206	646	283	165	49	250
300	178	400	445	12-22	230	738	334	175	91	300
350	190	460	505	16-22	248	761	334	175	110	350
400	216	515	565	16-26	289	877	425	210	140	400
450	222	565	615	20-26	320	938	425	210	180	450
500	229	620	670	20-26	343	993	425	210	215	500
600	267	725	780	20-30	413	1131	425	210	290	600
700	430	840	895	24-30	478	1476	620	320	560	700
800	470	950	1015	24-33	525	1533	620	320	910	800
900	510	1050	1115	28-33	585	1655	620	320	1500	900
1000	550	1160	1230	28-36	640	1765	620	400	1750	1000
1200	630	1380	1455	32-39	755	1995	620	400	2180	1200

注：1、以上蝶阀的密封试验压力DN50-DN800为1.0MPa；DN900-DN1200为0.6MPa。2、以上蝶阀连接尺寸均按1.0MPa标准制造；如用户有特殊需要，订货时应注明。
Note: 1: the seal test pressure of above butterfly valve is 1.0Mpa when normal diameter is DN50-DN800 and is 0.6Mpa when normal diameter is DN900-DN1000
2: connection dimension of above butterfly valve is conform to 1.0Mpa standard; please mark if user need disc rubber lined or other special requirements

HAND OPERATED WAFER TYPE RUBBER LINED BUTTERFLY VALVE
GB, ANSI, JIS, DIN, BS
手动、对夹式衬胶蝶阀



D71^X_{J A}-10 连接尺寸 Series connection dimensions

公称口径 (DN) Nominal diameter	L	D1	D	Z-φd	H	H0	A	B
25	43	85		4-14				
32	43	100		4-18				
40	43	110		4-18		220		
50	43	125		4-18	63	235	270	65
65	46	145	165	4-18	70	250	270	65
80	46	160	185	8-18	83	275	270	65
100	52	180	200	8-18	105	316	270	65
125	56	210	220	8-18	115	340	310	65
150	56	240	285	8-22	137	376	310	65
200	60	295	340	8-22	164	472	365	90

D₃71^X_{J A}-10⁶C、P、R、Z 连接尺寸 Series connection dimensions

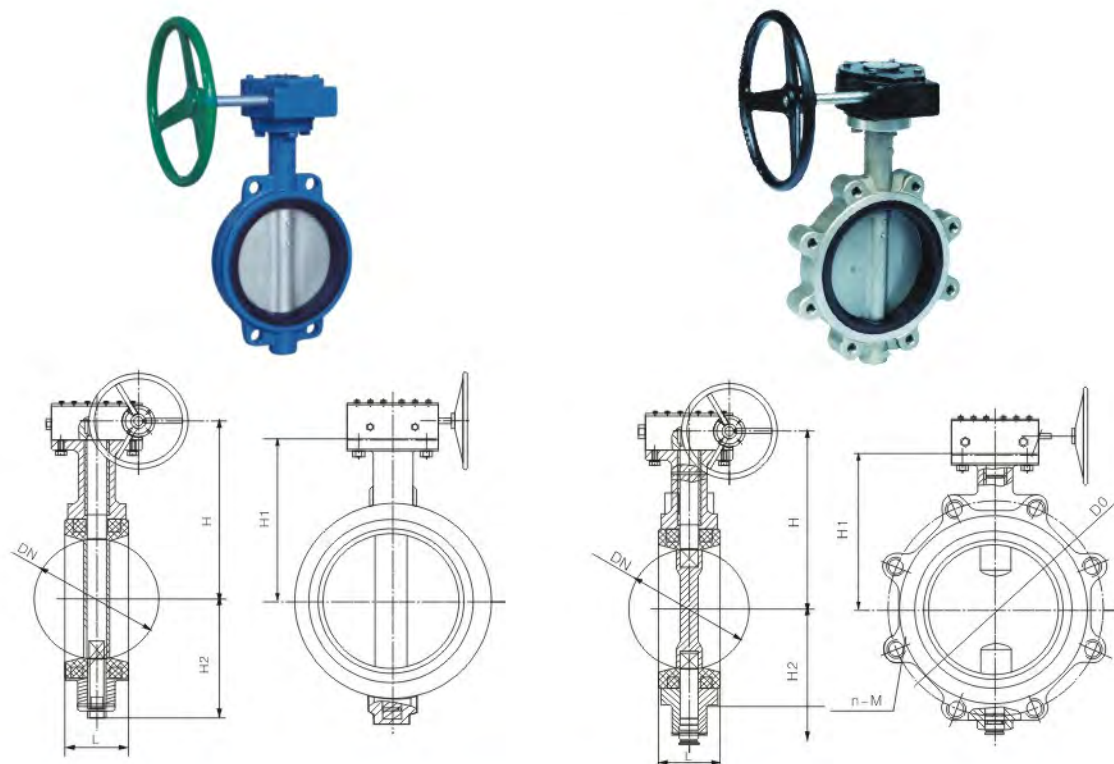
公称口径 Nominal diameter	L	D1	D	Z-φd	H	H0	A	B	D0
50	43	125	165	4-18	63	306	193	125	150
65	46	145	185	4-18	70	321	193	125	150
80	46	160	200	8-18	83	346	193	125	150
100	52	180	220	8-18	105	387	193	125	150
125	56	210	250	8-18	115	411	193	125	150
150	56	240	285	8-22	137	447	193	125	150
200	60	295	340	8-22	164	572	283	165	220
250	68	350	395	12-22	206	646	283	165	220
300	78	400	445	12-22	230	738	334	175	280
350	78	460	505	16-22	248	761	334	175	280
400	102	515	565	16-26	289	877	425	210	320
450	114	565	615	20-26	320	938	425	210	320
500	127	620	670	20-26	343	993	425	210	320
600	154	725	780	20-30	413	1131	425	210	320
700	165	840	895	24-30	478	1476	620	320	400
800	190	950	1015	24-33	525	1533	620	320	400
900	203	1050	1115	28-33	585	1655	620	320	400
1000	216	1160	1230	28-36	640	1765	620	400	400
1200	254	1380	1455	32-39	755	1995	620	400	400

注：1、以上蝶阀的密封试验压力DN50-DN800为1.0MPa；DN900-DN1000为0.6MPa。2、以上蝶阀的连接尺寸均按1.0MPa标准制造；如用户需要衬胶等特殊需要，订货时应注明。
Note: 1: the seal test pressure of above butterfly valve is 1.0Mpa when normal diameter is DN50-DN800 and is 0.6Mpa when normal diameter is DN900-DN1000
2: connection dimension of above butterfly valve is conform to 1.0Mpa standard; please mark if user need disc rubber lined or other special requirements

GEAR OPERATED WAFER TYPE RUBBER LINED BUTTERFLY VALVE

GB, ANSI, JIS, DIN, BS

蜗轮传动对夹式衬胶蝶阀



采用标准 Acceptance standards

法兰连接尺寸: ASME B16.5 Flange connection dimension: ASME B16.5
 结构长度: API 609; Structural length: API 609;
 压力试验: API 598 Pressure test: API 598;

D371 X_J - 125Lb / 150Lb 连接尺寸 Series connection dimensions

公称通径DN Nominal diameter		d	L	H	H1	H2	D0	n-M (螺纹孔) Screw hole
mm	in							
50	2	52.9	43	210	161	80	120.5	4-5/8"-11
65	2 1/2	64.5	46	225	175	89	139.5	4-5/8"-11
80	3	78.8	46	235	181	95	152.5	4-5/8"-11
100	4	104	52	250	200	114	190.5	8-5/8"-11
125	5	123.3	56	265	213	127	216	8-3/4"-10
150	6	155.6	56	276	226	139	214.5	8-3/4"-10
200	8	202.5	60	320	260	175	298.5	8-3/4"-10
250	10	250.5	68	355	292	203	362	12-7/8"-9
300	12	301.6	78	400	337	242	432	12-7/8"-9

注: 电传动型号为D971, 气传动型号为D671, 手柄操作型号为D71 (2"-8"可提供手柄操作)
 Note: the type of electric actuator valve is D971 and pneumatic operated valve is D671 and handwheel operated valve is D71 (company offer handwheel operated if user need when normal diameter is from 2" to 8").



TITANIUM, NICKED VALVE SERIES

06 钛、镍等特殊材质阀门

Products applicable to petroleum, chemical, natural gas, light industry, electric power, pharmaceuticals, dyes, metallurgy, fiber, leather, textile, food, military, construction, refrigeration, water supply and other industries.

TITANIUM, NICKED VALVE SERIES
GB, ANSI, JIS, DIN, BS
钛、镍等特殊材质阀门



SANITARY STAINLESS STEEL VALVE、PIPE FITTINGS SERIES

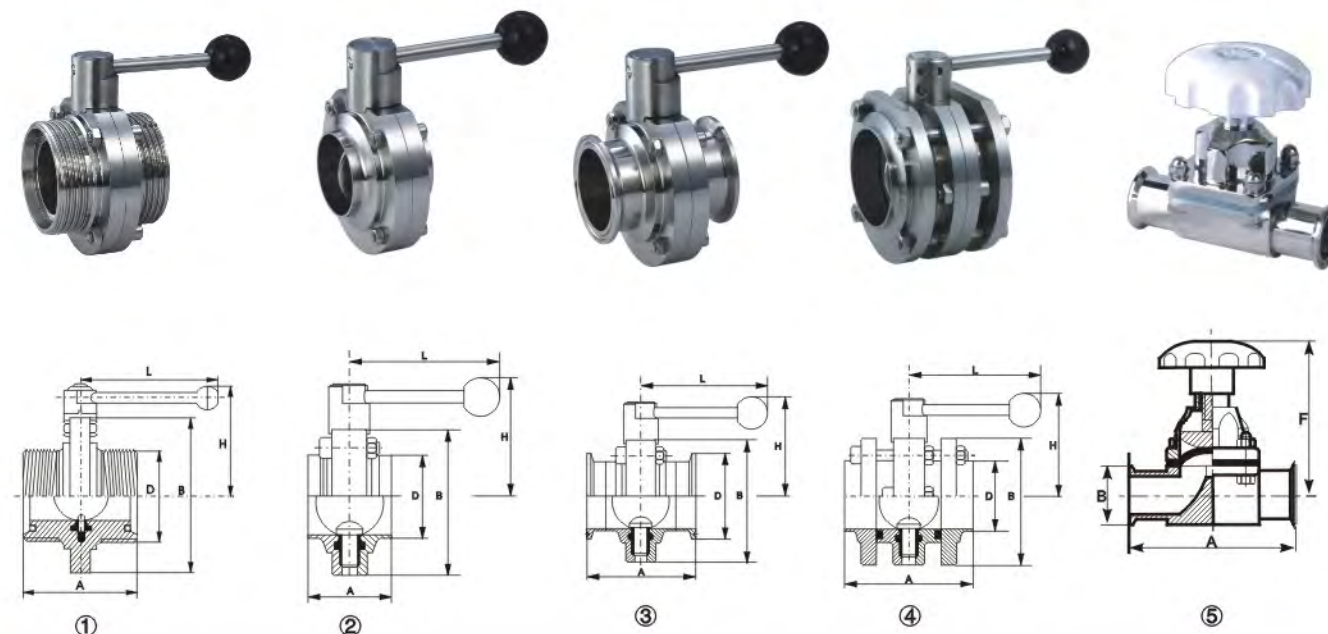
07 卫生级不锈钢阀门、管件系列

Products applicable to petroleum, chemical, natural gas, light industry, electric power, pharmaceuticals, dyes, metallurgy, fiber, leather, textile, food, military, construction, refrigeration, water supply and other industries.

SANITARY STAINLESS
STEEL VALVE、PIPE FITTINGS SERIES
卫生级不锈钢阀门、管件系列



SANITARY STAINLESS STEEL VALVE
卫生级不锈钢阀门



① 螺纹蝶阀 Threaded butterfly valve

规格 (ISO)	A	B	D	L	H	Kg
25	66	78	40×1/6	130	82	1.3
32	66	78	48×1/6	130	82	1.3
38	70	86	60×1/6	130	86	1.7
51	76	102	70×1/6	140	96	2.2
63	80	115	85×1/6	150	103	2.9
76	84	128	98×1/6	150	110	3.4
89	90	139	110×1/6	170	116	3.9
102	104	159	132×1/6	170	126	5.5

(工业标准有: ISO、DIN、IDF、3A、SMS等)

② 焊接式蝶阀 Welded butterfly valve

规格 (ISO)	A	B	D	L	H	Kg
20	50	78	19.05	130	82	1.2
25	50	78	25.4	130	82	1.2
32	50	78	31.8	130	82	1.05
38	50	86	38.1	130	86	1.2
51	52	102	50.8	140	96	1.7
63	56	115	63.5	150	103	2.1
76	56	128	76.1	150	110	2.4
89	60	139	88.9	170	116	2.7
102	64	154	101.6	170	122	3.05
108	64	159	108	170	126	3.15
133	80	185	133	190	138	5.2
159	90	215	159	190	153	9.2

(工业标准有: ISO、DIN、IDF、3A、SMS等)

③ 快装蝶阀 Quick-install butterfly valve

规格 (ISO)	A	B	D	L	H	Kg
20	66	78	50.5	130	82	1.35
25	66	78	50.5	130	82	1.35
32	66	78	50.5	130	82	1.2
38	70	86	50.5	130	86	1.3
51	76	102	64	140	96	1.85
63	80	115	77.5	150	103	2.25
76	84	128	91	150	110	2.6
89	90	139	106	170	116	3.0
102	106	154	119	170	122	3.6
108	106	159	119	170	126	3.6
133	140	185	145	190	138	6.5
159	260	215	172	190	153	11

(工业标准有: ISO、DIN、IDF、3A、SMS等)

④ 三片式蝶阀 Three-piece butterfly valve

规格 (ISO)	A	B	D	L	H	Kg
20	100	78	19.05	130	82	2.1
25	100	78	25.4	130	82	2.1
32	100	78	31.8	130	82	2.05
38	100	86	38.1	130	86	2.3
51	104	102	50.8	140	96	3.25
63	112	115	63.5	150	103	4.15
76	112	128	76.1	150	110	4.3
89	120	139	88.9	170	116	5.4
102	128	154	101.6	170	122	6.3
108	128	159	108	170	126	6.7
133	160	185	133	190	138	10.4
159	180	215	159	190	153	18.4

(工业标准有: ISO、DIN、IDF、3A、SMS等)

⑤ 卫生级隔膜阀 Sanitary diaphragm valve

规格 (ISO)	A	B	F
15	108	34	88/99
20	118	50.5	91/102
25	127	50.5	110/126
32	146	50.5	129/138
40	159	50.5	139/159
50	191	64	159/186

(工业标准有: ISO、DIN、IDF、3A、SMS等)