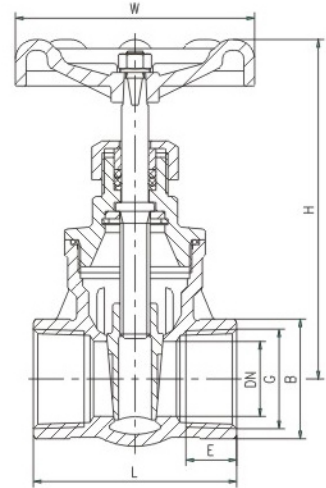


STAINLESS STEEL FEMALE GATE VALVE
(WCB, CF8, CF8M)

不锈钢内螺纹闸阀

内螺纹闸阀
Stainless Steel Female Gate Valve
Z15W-(16-64)C、P、R



主要零件材料 Materials of main parts

零件名称 Description of Parts	Z15H-(16-64)C	Z15W-(16-64)P	Z15W-(16-64)R
阀体 Body	WCB	ZG1Cr18Ni9Ti CF8	ZG1Cr18Ni12Mo2Ti CF8M
闸板 Disc	WCB	ZG1Cr18Ni9Ti CF8	ZG1Cr18Ni12Mo2Ti CF8M
闸杆 Stem	1Cr18Ni9Ti 304	1Cr18Ni9Ti 304	1Cr18Ni12Mo2Ti 316
密封 Sealing	304,316		
填料 Packing	聚四氟乙烯 Polytetrafluorethylene(PTFE)		

主要外形尺寸 Main outer size

DN	G	L	E	B	H	W
15	1/2"	55	16	31	90	70
20	3/4"	60	18	38	98	70
25	1"	68	20	46	108	70
32	1 1/4"	76	21.5	56	128	80
40	1 1/2"	80	23	63	152	100
50	2"	93	24.5	76	166	100

性能规范 Specifications

公称压力: PN1.6,2.5,4.0,6.4MPa
强度试验压力: PT2.4,3.8,6.0,9.6MPa
高压密封试验压力: 1.8,2.8,4.4,7.1MPa
适用介质: Z15H-(16-64)C 水、油品、气
适用温度: -29~180℃
适用介质: Z15W-(16-64)P 硝酸类
Z15W-(16-64)R 醋酸类

Nominal pressure: PN1.6,2.5,4.0,6.4MPa
Strength testing pressure: PT2.4,3.8,6.0,9.6MPa
Seat testing pressure (high pressure): 1.8,2.8,4.4,7.1MPa
Applicable media:
Z15H-(16-64)C Water.Oil.Gas
Applicable temperature: -29~180℃
Applicable media:
Z15W-(16-64)P Nitric acid
Z15W-(16-64)R Acetic acid