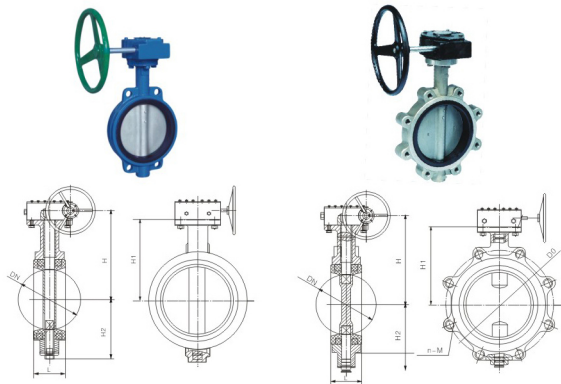


GEAR OPERATED WAFER TYPE RUBBER LINED BUTTERFLY VALVE  
GB, ANSI, JIS, DIN, BS

蜗轮传动对夹式衬胶蝶阀



采用标准 Acceptance standards

法兰连接尺寸: ASME B16.5

结构长度: API 609;

压力试验: API 598

Flange connection dimension: ASME B16.5

Structural length: API 609;

Pressure test: API 598;

D371<sub>J</sub><sup>X</sup> - 125LD<sub>J</sub> - 150LD<sub>J</sub> 连接尺寸 Series connection dimensions

公称通径DN Nominal diameter		d	L	H	H1	H2	D0	n-M (螺孔) Screw hole
mm	in							
50	2	52.9	43	210	161	80	120.5	4-5/8"-11
65	2 1/2	64.5	46	225	175	89	139.5	4-5/8"-11
80	3	78.8	46	235	181	95	152.5	4-5/8"-11
100	4	104	52	250	200	114	190.5	8-5/8"-11
125	5	123.3	56	265	213	127	216	8-3/4"-10
150	6	155.6	56	276	226	139	214.5	8-3/4"-10
200	8	202.5	60	320	260	175	298.5	8-3/4"-10
250	10	250.5	68	355	292	203	362	12-7/8"-9
300	12	301.6	78	400	337	242	432	12-7/8"-9

注: 电动型号为D971, 气传动型号为D671, 手柄操作型号为D71 (2-8"可提供手柄操作)

Note: the type of electric actuator valve is D971 and pneumatic operated valve is D671 and handwheel operated valve is D71 (comply offer handwheel operated if user need when normal diameter is from 2" to 8").