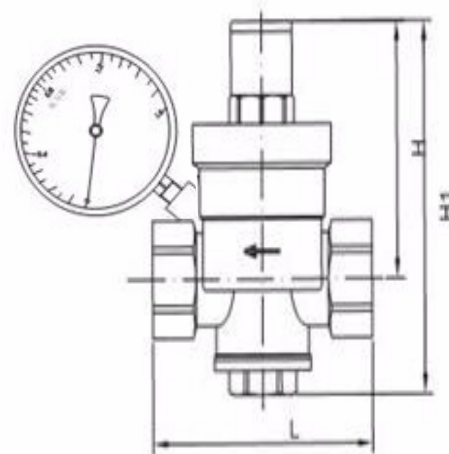


Main Features

Model	CR-08	Gauge	1.6Mpa
Seat Material	PTFE	Normal Pressure	1.6Mpa / 2.0 Mpa
Body Material	CF8/CF8M	Working Temperature	-20°C ≤ T ≤ 180°C
Thread Material	BSP/NPT	Working Medium	water, non-corrosive liquid .
Handle Material	CF8	Pipe Thread	BSP/NPT ISO228 .



DN	Size	L	H	H1
DN15	1/2"	78	91	112
DN20	3/4"	78	91	112
DN25	1"	94	119	141
DN32	1-1/4"	125	138	165
DN40	1-1/2"	125	138	165
DN50	2"	145	157	187



The use of direct action diaphragm structure, the internal structure is very simple, no jamming, reliable performance, durable.

Resistant to dirt, no filter, no bypass pipe, piping is extremely simple, can save a lot of space and piping costs.

The outlet pressure is precisely adjustable. In general, it is considered that the outlet pressure is not affected by the inlet pressure (the change in outlet pressure is 8% of ΔP1).

Excellent hydraulic characteristics, pressure loss, decompression ratio can reach 10: 1 or more.

Can meet a variety of decompression requirements, especially for branch decompression system.

