

- Characteristic: 1.Direct acting miniature construction at low consumption.
2.Compact design to save the space
3.Applied to low pressure system, open from 0 bar

Medium: Air, water, Steam, Oil, etc

Temperature: NBR Seal: 14F to 176F, -10 to 80
EPDM Seal: 14F to 250F, -10 to 120
VITON Seal: 14F to 300F, -10 to 150
PTFE Seal: -4F to 350F, -20 to 180

Pressure: 0 ~ 15 bar

Port Size: 1/8", 1/4"

Port Thread: BSPP, BSPT, NPT

Orifice(mm) 1.6, 2.0, 2.5, 3.0, 3.5, 4.0

Voltage: DC - 12v, 24V

AC - 24V, 120V, 240V/60HZ; 110V, 220V/50HZ

Tolerance: ±10%

Coils: S91B, 17VA (AC), IOW (DC), IP65, 1000/oED
NASS COIL 0543 on request

Material: Body - Brass or stainless steel

Seal -VITON,NBR,EPDM

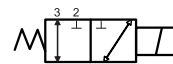
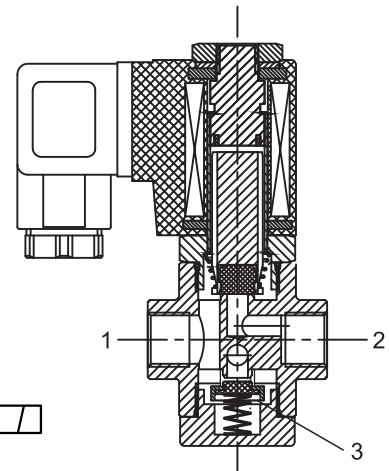
Armature Tube - Stainless Steel 304

Plunger - Stainless Steel 430F

Stop -SS430F

Springs - ss 304

Shading Rings - Stainless Steel 304



Port State \ Power State	1 Inlet Port(HX23)			2 Inlet Port(CB23)			3 Inlet Port(CK23)		
	2	1	3	3	1	2	3	1	2
De-energized		→		↔			→		
Energized	←				←			↔	

