

COVNA GROUP CO., LIMITED



COVNA GROUP CO., LIMITED

Series 715-W Wafer Style Butterfly Valve

- High Quality
- Fusion Bonded Epoxy Coated
- 1,600kPa rating to 300NB, 1,000kPa rating for sizes greater than 300NB
- 316SS slim-style disc
- One Piece Stainless Steel shaft
- Proven cartridge-style seat
- Dimensions to BS5155
- Lockable Lever & 10 position Stainless Steel notchplate, pins & springs
- Stainless Steel fasteners



Operating Torques in NM

Size NB	Shut off Pressures in kPa			
	300	600	1,000	1,600
50	13	13	14	15
65	13	13	14	16
80	21	21	23	24
100	35	37	40	45
125	55	58	63	71
150	82	87	98	112
200	149	159	180	210
250	236	249	297	358
300	348	385	445	542
350	517	550	641	-
400	684	746	889	-
450	895	995	1187	-
500	1132	1244	1491	-
600	1678	1834	2180	-

Torque figures based on water service without safety margin.

ISO Square Drive for sizes 50-300mm and positive keyed drive for sizes 350mm and above.

Four self lubricating bronze bushes provide maximum stem support with minimum friction. Eliminates potential stem seizure.

Pressure surge seals (O'rings) are moulded inside the seat stem hole area to provide failsafe sealing around stem, eliminating possible leakage.

Phenolic resin backed seat provides support for the seat is non-collapsible, stretch resistant, blowout proof and suitable for vacuum.

Precision profile disc provides bubble-tight shutoff with minimal disc/seat interference, assuring minimum torque and longer seat life.

Universal flange adaptability for wafer style in size range. Suits ANSI 125, DN16, AS 2129 Table "D" & "E".

Actuator mounting flange, conforms to ISO5211 and accommodates all types of operators, lever, gear, electric, hydraulic and pneumatic

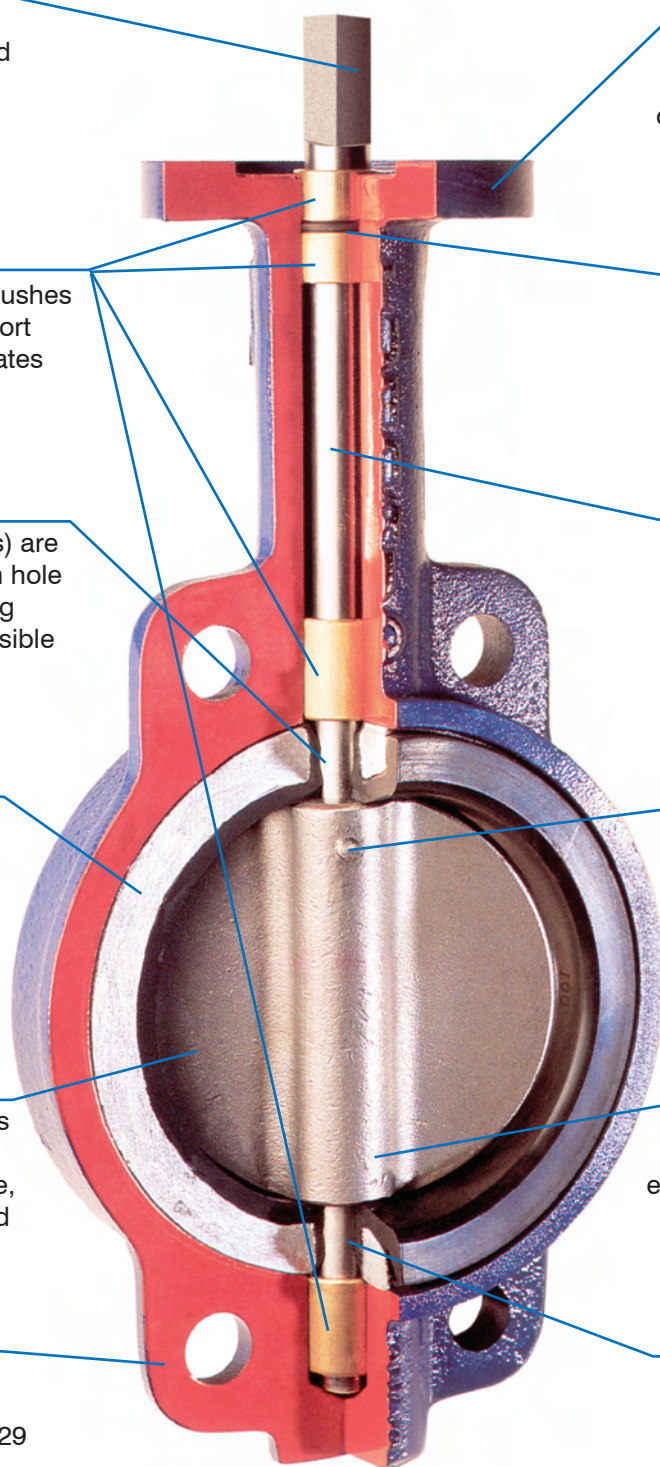
O'ring weather seal prevents ingress of moisture and external material into the stem area.

One piece thru-stem design ensures dependability and positive disc control.

Internal square drive and precision taper pins ensure positive, vibration proof, stem to disc connection.
 Square drive \boxtimes 300mm size
 Pins \boxtimes 350mm size

Polished disc flats "mate" with seat flats to give a highly efficient seal; prevents leakage into stem area.

Supported stem seal protects against distortion, a common cause of stem leakage.

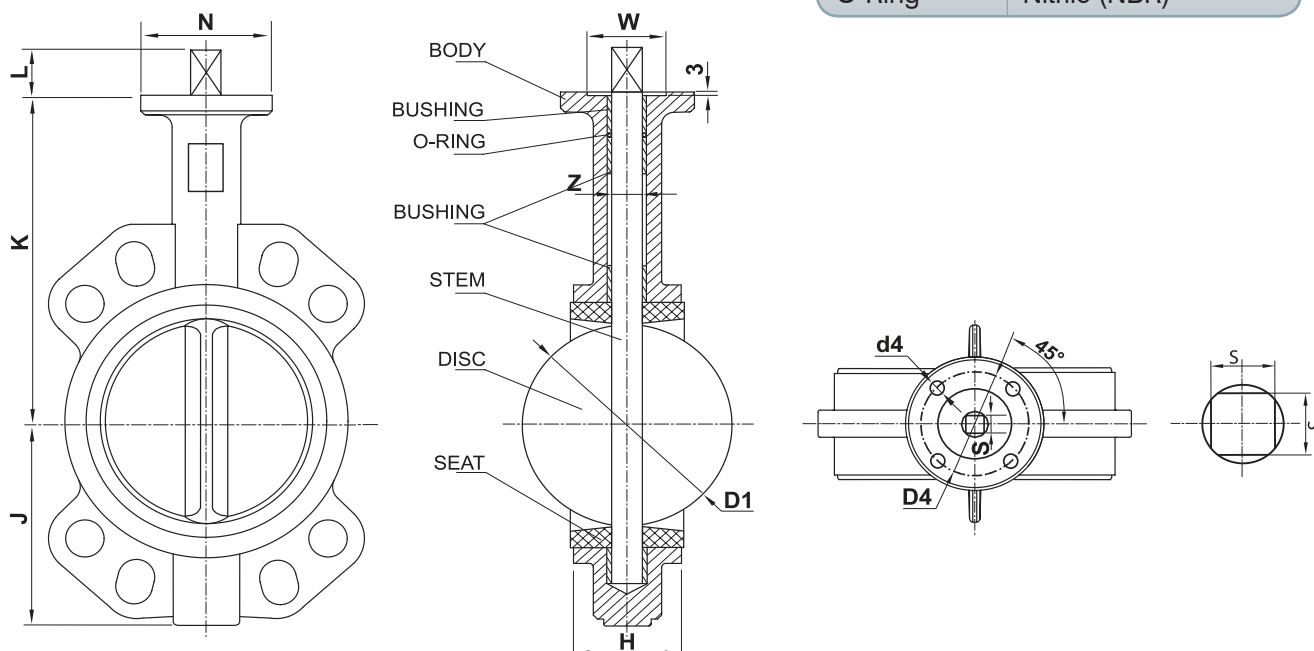


Cast Iron Wafer Butterfly Valves - Rated 16 Bar

50mm (2") - 300mm (12") Wafer Butterfly Valves
Lever or Gear operated

Fusion bonded epoxy (FBE) coating
Blue body colour
Pinless stainless disc

Part Name	Material
Body	Cast Iron
Disc	Stainless Steel CF8M
Stem	Stainless Steel 410
Seat	EPDM
O-Ring	Nitrile (NBR)



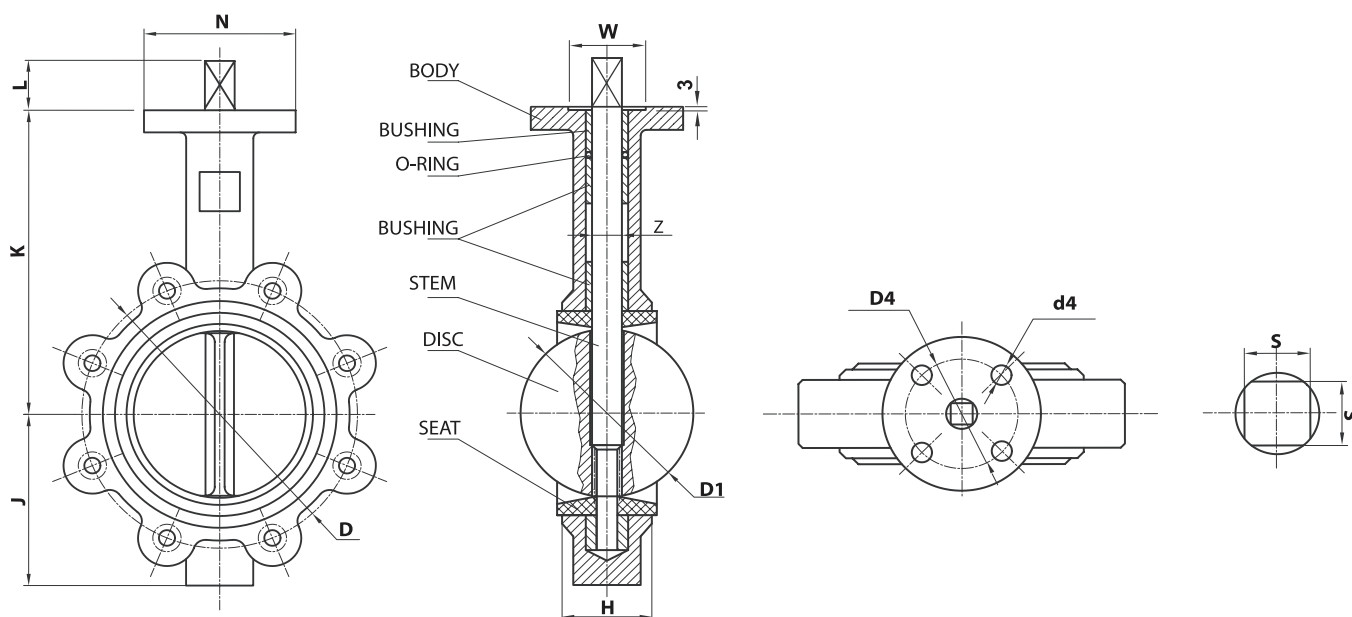
Sizes	K	J	H	Z	L	Locating Holes to suit PCD		D1	N	d4	D4	W	S	ISO	Weight (kg)	
						Table D/E	ANSI150								Lever	Gear
50NB	161	80	43	12.5	32	114	120.5	52.5	65	7	50	36	9	F05	4	-
65NB	175	89	46	12.5	32	127	139.5	63.8	65	7	50	36	9	F05	4	-
80NB	181	95	46	14.5	32	146	152.5	78.1	65	7	50	36	9	F05	4.8	-
100NB	200	114	52	16.5	32	178	190.5	103.8	90	9	70	56	11	F07	6.5	-
125NB	213	127	56	18.5	32	210	216.0	123.1	90	9	70	56	14	F07	8	-
150NB	226	139	56	18.5	32	235	241.5	155.0	90	9	70	56	14	F07	10	13.5
200NB	260	175	60	22.5	40	292	298.5	202.1	125	11	102	71	17	F10	15	21
250NB	292	203	68	30.5	40	356	362.0	250.1	125	11	102	71	22	F10	23	29
300NB	337	242	78	30.5	40	406	432.0	301.1	125	11	102	71	22	F10	34	41.5

Cast Iron Lugged Butterfly Valves - Rated 16 Bar

50mm (2") - 300mm (12") Lugged Butterfly Valves
Lever or Gear operated

Fusion bonded epoxy (FBE) coating
Blue body colour
Pinless stainless disc

Part Name	Material
Body	Cast Iron
Disc	Stainless Steel CF8M
Stem	Stainless Steel 410
Seat	EPDM
O-Ring	Nitrile (NBR)



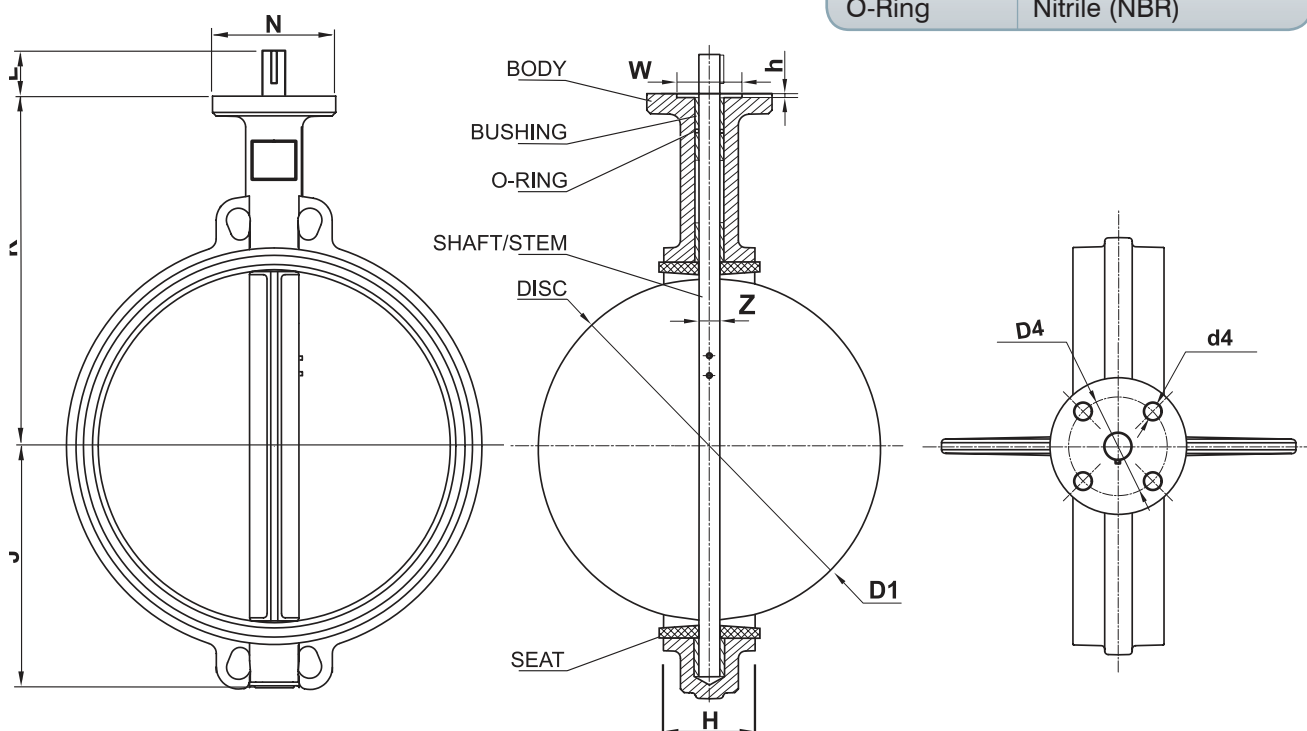
Sizes	K	J	H	Z	L	Locating Holes to suit PCD		D1	N	d4	D4	W	S	ISO	Weight (kg)	
						Table D/E	ANSI150								Lever	Gear
50NB	161	80	43	12.5	32	114	120.5	52.5	65	7	50	36	9	F05	4.5	-
65NB	175	89	46	12.5	32	127	139.5	63.8	65	7	50	36	9	F05	6.5	-
80NB	181	95	46	14.5	32	146	152.5	78.1	65	7	50	36	9	F05	7.5	13
100NB	200	114	52	16.5	32	178	190.5	103.8	90	9	70	56	11	F07	10	16
125NB	213	127	56	18.5	32	210	216.0	123.1	90	9	70	56	14	F07	12	18
150NB	226	139	56	18.5	32	235	241.5	155.0	90	9	70	56	14	F07	15	21
200NB	260	175	60	22.5	40	292	298.5	202.1	125	11	102	71	17	F10	23	33
250NB	292	203	68	30.5	40	356	362.0	250.1	125	11	102	71	22	F10	30	45
300NB	337	242	78	30.5	40	406	432.0	301.1	125	11	102	71	22	F10	43	59

Cast Iron Wafer Butterfly Valves - Rated 10 Bar

350mm (14") - 600mm (24") Wafer Butterfly valves
 Gear operated only / Blue body colour

Fusion bonded epoxy (FBE) coating
 Stainless disc

Part Name	Material
Body	Cast Iron
Disc	Stainless Steel CF8M
Stem	Stainless Steel 410
Seat	EPDM
O-Ring	Nitrile (NBR)

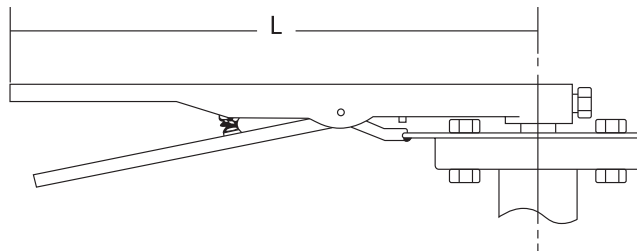


Locating Holes to suit PCD

Sizes	K	J	H	Z	L	Table D/E	ANSI 150	D1	N	d4	D4	W x H	ISO	Weight with gearbox (kg)
350NB	368	267	78	31.60	45	470	476.5	333.5	125	12	102	71 x 3.4	F10	65
400NB	400	309	102	33.15	51	521	540.0	389.6	175	18	140	101 x 5.0	F14	75
450NB	422	328	114	38.00	51	584	578.0	440.5	175	18	140	101 x 5.0	F14	98
500NB	480	349	127	41.15	64	641	635.0	491.6	175	18	140	101 x 5.0	F14	140
600NB	562	440	154	50.6	70	756	749.5	592.5	210	22	165	131 x 6.0	F16	220

Butterfly Valves Operators & Torques

Lever Operator



Actuator Options

Lever

Cast Iron Epoxy Coated Lever with 10 positions SS notch plate, SS fasteners & spring. Standard on sizes up to 200mm

Gear Operated

Cast Iron Epoxy Coated Gearbox with SS fasteners. Standard on sizes 250mm & above

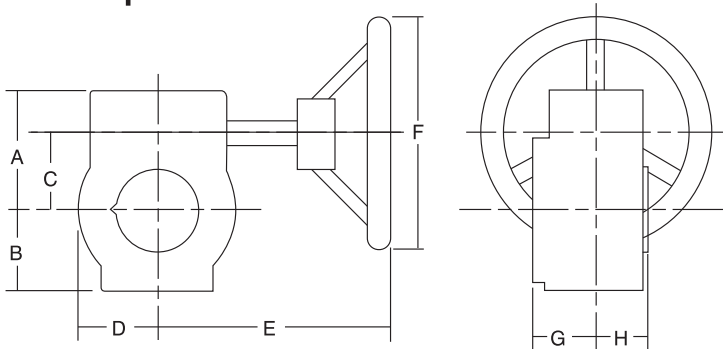
Pneumatic

Air operated (double acting & spring return), c/w solenoid valves, limit switches, position indicators, modulating controls

Electric

Open/close, modulating control

Gear Operator



Size mm	Model	Gear Operator						Lever		
		A	B	C	D	E	F	G	H	L
50	G01	74	52	45	52	153	150	39	36	267
65	G01	74	52	45	52	153	150	39	36	267
80	G01	74	52	45	52	153	150	39	36	267
100	G02	74	52	45	52	153	150	39	36	267
125	G03	74	52	45	52	153	150	39	36	267
150	G03	74	52	45	52	153	150	39	36	267
200	G04	101	75	63	75	250	300	43	43	353
250	G05	101	75	63	75	250	300	43	43	353
300	G06	118	81	80	81	250	300	38	45	353
350	G06	118	81	80	81	250	300	38	45	-
400+	Refer									

Note

The designs, materials, dimensions and specifications shown are subject to change without notice and continuing program of product development. Please request a certified drawing if dimensions are critical.