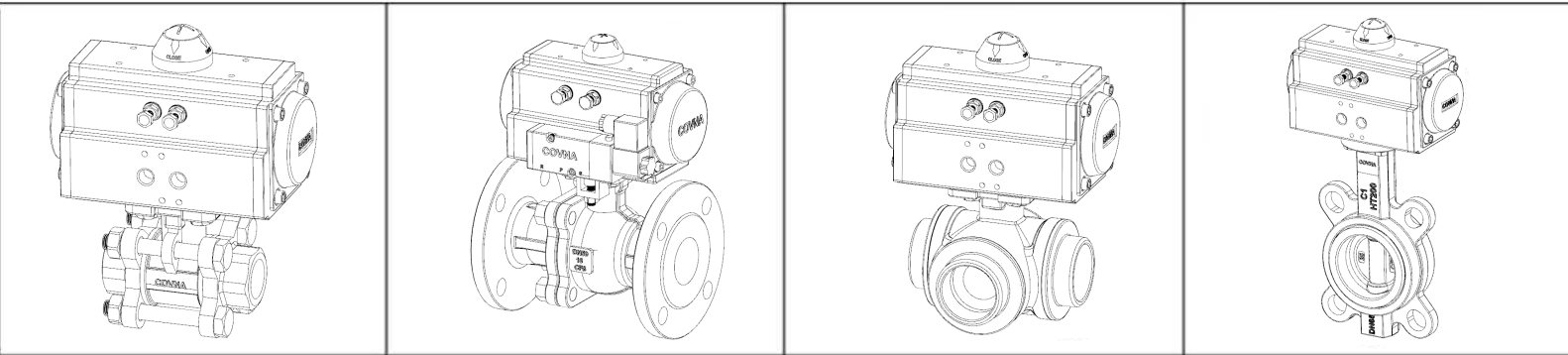


OVERVIEW BROCHURE

ISO9001 CE RoHS   



Official website: <http://www.covnagroup.com/>

Alibaba website: <https://automatic.en.alibaba.com/>

Name: Echo

E-mail: sales@covnagroup.com

Whatsapp/Facebook/Linkedin/Mobile: 86-15622261856

COVNA GROUP CO.,LTD



科威納 COVNA[®]
— VALVE —



CE ISO 9001 RoHS TÜV

Specialized Fluid Control Valve Manufacture



Cast Iron Pneumatic
Butterfly Valve
HK-59D-1



Lug Pneumatic Butterfly
Valve
HK-59D-2



Cast Iron Pneumatic Butterfly
Valve with PTFE Sealing
HK-59D-3



Stainless Steel Pneumatic
Butterfly Valve
HK-59D-4



Metal Seated Pneumatic
Butterfly Valve
HK59DS-2



3 PCS Thread Pneumatic
Ball Valve
HK-56



Tri-clamp Pneumatic
Vacuum Ball Valve
HK-56-1



Tri-clamp Pneumatic
Ball Valve
HK-56-2



3 Way Thread Pneumatic
Ball Valve
HK-56-T



PVC Pneumatic
Butterfly Valve
HK57D



Sanitary 2 Way Pneumatic
Ball Valve
HK-56-W



Sanitary 3 Way Pneumatic
Ball Valve
HK-56-W-T



UPVC 2 Way Pneumatic
Ball Valve
HK-57



UPVC 3 Way Pneumatic
Ball Valve
HK-57-T



Sanitary Pneumatic
Butterfly Valve
HK-52-3



2 Way Pneumatic
Flanged Ball Valve
HK-552F



3 Way Pneumatic
Flanged Ball Valve
HKVQ664/5



MINI Pneumatic Ball
Valve
HK-58 SIKOU



High Pressure Pneumatic
Ball Valve
HK-58-G



Thin Pneumatic
Ball Valve
HK-54

3PCS Female Thread Pneumatic Ball Valve



Specifications

【Size Range】 DN10 to DN100, 3/8" to 4"

【Operating Pressure】 1.6 to 6.4MPa

【Body Materials】 Stainless Steel, WCB

【Core Materials】 Stainless Steel

【Sealing Materials】 NBR, EPDM, FKM (VITON), PTFE (TEFLON)

【Acting Mode】 Double Acting, Single Acting (Spring Return)

Tri-Clamp Pneumatic Ball Valve



Specifications

【Size Range】 DN10 to DN100, 3/8" to 4"

【Operating Pressure】 1.6 to 6.4MPa

【Body Materials】 WCB, Stainless Steel

【Core Materials】 WCB, Stainless Steel

【Sealing Materials】 PTFE (TEFLON)

【Acting Mode】 Double Acting, Single Acting (Spring Return)

3 Way Female Thread Pneumatic Ball Valve



Specifications

【Size Range】 DN15 to DN100, 1/2" to 4"

【Operating Pressure】 1.6 to 6.4MPa

【Body Materials】 WCB, Stainless Steel

【Core Materials】 WCB, Stainless Steel

【Sealing Materials】 PTFE (TEFLON)

【Structure】 3 Way T Port, L Port are Available

【Acting Mode】 Double Acting, Single Acting (Spring Return)

2 Way Tri-Clamp Pneumatic Ball Valve



Specifications

- 【Size Range】 DN15 to DN150, 1/2" to 6"
- 【Operating Pressure】 1.6 to 6.4MPa
- 【Body Materials】 Stainless Steel
- 【Disc Materials】 Stainless Steel
- 【Sealing Materials】 EPDM, Silicone Rubber
- 【Acting Mode】 Double Acting, Single Acting (Spring Return)

3 Way Sanitary Pneumatic Ball Valve



Specifications

- 【Size Range】 DN15 to DN150, 1/2" to 6"
- 【Operating Pressure】 1.6 to 6.4MPa
- 【Body Materials】 Stainless Steel
- 【Disc Materials】 Stainless Steel
- 【Sealing Materials】 EPDM, Silicone Rubber
- 【Acting Mode】 Double Acting, Single Acting (Spring Return)

Pneumatic Flanged Ball Valve



Specifications

- 【Size Range】 DN15 to DN250, 1/2" to 10"
- 【Operating Pressure】 1.0 to 6.4MPa
- 【Body Materials】 WCB, Stainless Steel
- 【Core Materials】 WCB, Stainless Steel
- 【Stem Materials】 WCB, Stainless Steel
- 【Sealing Materials】 PTFE (TEFLON), Stainless Steel
- 【Control Mode】 ON/OFF Type, Modulating Type

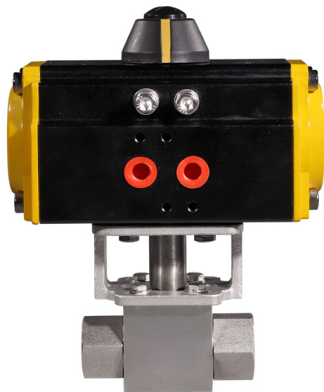
3 Way Pneumatic Flanged Ball Valve



Specifications

- 【Size Range】 DN15 to DN250, 1/2" to 10"
- 【Operating Pressure】 1.6 to 6.4MPa
- 【Body Materials】 WCB, Stainless Steel
- 【Core Materials】 WCB, Stainless Steel
- 【Sealing Materials】 PTFE (TEFLON), Stainless Steel
- 【Structure】 3 Way T Port, L Port are Available
- 【Acting Mode】 Double Acting, Single Acting (Spring Return)

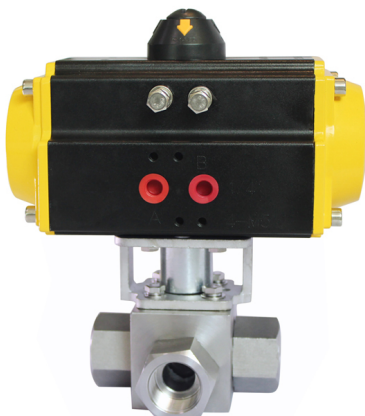
High Pressure Pneumatic 2Way Ball Valve



Specifications

- 【Size Range】 DN08 to DN50, 1/4" to 2"
- 【Operating Pressure】 10.0 to 40.0MPa
- 【Body Materials】 Stainless Steel
- 【Core Materials】 Stainless Steel
- 【Sealing Materials】 PTFE
- 【Acting Mode】 Double Acting, Single Acting (Spring Return)

High Pressure Pneumatic 3Way Ball Valve



Specifications

- 【Size Range】 DN08 to DN50, 1/4" to 2"
- 【Operating Pressure】 10.0 to 40.0MPa
- 【Body Materials】 Stainless Steel
- 【Core Materials】 Stainless Steel
- 【Sealing Materials】 PTFE
- 【Structure】 3 Way T Port, L Port are Available
- 【Acting Mode】 Double Acting, Single Acting (Spring Return)

Plastic 2 Way Pneumatic Ball Valve



Specifications

【Size Range】 DN15 to DN100, 1/2" to 4"

【Operating Pressure】 1.0MPa

【Body Materials】 CPVC, UPVC

【Disc Materials】 CPVC, UPVC

【Sealing Materials】 PTFE (TEFLON)

【Acting Mode】 Double Acting, Single Acting (Spring Return)

Plastic 3 Way Pneumatic Ball Valve



Specifications

【Size Range】 DN15 to DN50, 1/2" to 2"

【Operating Pressure】 1.0MPa

【Body Materials】 CPVC, UPVC

【Disc Materials】 CPVC, UPVC

【Sealing Materials】 PTFE (TEFLON)

【Structure】 3 Way T Port, L Port are Available

【Acting Mode】 Double Acting, Single Acting (Spring Return)

Plastic Pneumatic Butterfly Valve



Specifications

【Size Range】 DN50 to DN300, 2" to 12"

【Operating Pressure】 1.0MPa

【Body Materials】 CPVC, UPVC

【Disc Materials】 CPVC, UPVC

【Sealing Materials】 PTFE (TEFLON)

【Acting Mode】 Double Acting, Single Acting (Spring Return)

Cast Iron Pneumatic Wafer Butterfly Valve



Specifications

【Size Range】 DN50 to DN600, 2" to 24"

【Operating Pressure】 1.0 to 1.6MPa

【Body Materials】 Cast Iron, Ductile Iron, Stainless Steel

【Disc Materials】 Cast Iron, Stainless Steel

【Sealing Materials】 NBR, EPDM, FKM (VITON), PTFE (TEFLON)

【Acting Mode】 Double Acting, Single Acting (Spring Return)

Cast Iron Pneumatic Lug Butterfly Valve



Specifications

【Size Range】 DN50 to DN600, 2" to 24"

【Operating Pressure】 1.0 to 1.6MPa

【Body Materials】 Cast Iron, Ductile Iron, Stainless Steel

【Disc Materials】 Cast Iron, Stainless Steel

【Sealing Materials】 NBR, EPDM, FKM (VITON), PTFE (TEFLON)

【Acting Mode】 Double Acting, Single Acting (Spring Return)

Stainless Steel Pneumatic Wafer Butterfly Valve



Specifications

【Size Range】 DN50 to DN600, 2" to 24"

【Operating Pressure】 1.0 to 1.6MPa

【Body Materials】 Cast Iron, Ductile Iron, Stainless Steel

【Disc Materials】 Cast Iron, Stainless Steel

【Sealing Materials】 NBR, EPDM, FKM (VITON), PTFE (TEFLON)

【Acting Mode】 Double Acting, Single Acting (Spring Return)

Aluminum Pneumatic Lugless Butterfly Valve



Specifications

- 【Size Range】 DN50 to DN600, 2" to 24"
- 【Operating Pressure】 1.0 to 1.6MPa
- 【Body Materials】 Ductile Iron, Aluminum, Stainless Steel
- 【Disc Materials】 Stainless Steel
- 【Sealing Materials】 EPDM, PTFE (TEFLON)
- 【Acting Mode】 Double Acting, Single Acting (Spring Return)

Soft Sealed Pneumatic Flanged Butterfly Valve



Specifications

- 【Size Range】 DN50 to DN700, 2" to 28"
- 【Operating Pressure】 1.0 to 1.6MPa
- 【Body Materials】 Ductile Iron, WCB, Stainless Steel
- 【Disc Materials】 Cast Iron, Ductile Iron, WCB, Stainless Steel
- 【Stem Materials】 WCB, Stainless Steel
- 【Sealing Materials】 EPDM, PTFE (TEFLON)
- 【Acting Mode】 Double Acting, Single Acting (Spring Return)

Pneumatic Sanitary Butterfly Valve



Specifications

- 【Size Range】 DN15 to DN150, 1/2" to 6"
- 【Operating Pressure】 0.6 to 1.6MPa
- 【Body Materials】 Stainless Steel
- 【Disc Materials】 Stainless Steel
- 【Sealing Materials】 EPDM, Silicone Rubber
- 【Acting Mode】 Double Acting, Single Acting (Spring Return)