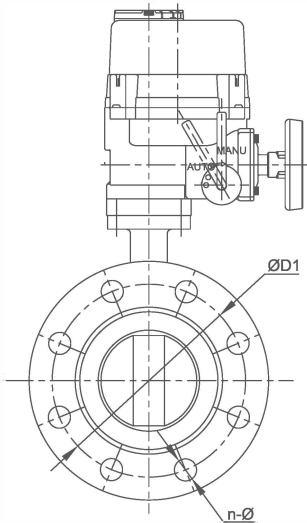
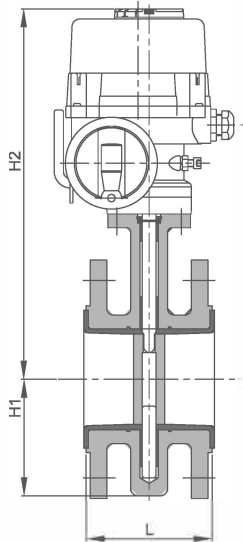




Nominal diameter DN(mm)		DN50~DN700	
Nominal pressure		PN1.0MPa	PN1.6MPa
Nominal pressure	Strength test	PN1.5MPa	PN1.6MPa
	Seal test	PN1.1MPa	PN1.76MPa
Main Parts	Valve Body	Ductile iron、WCB、Stainless Steel	
	Valve Disc	Ductile iron, cast iron, WCB and special materials	
	Valve Stem	WCB,Stainless Steel	
	O-ring	Rubber, PTFE, EPDM	
	Packing	PTFE、flexible graphite	
Applicable Operating Condition	Applicable medium	Water、air、oils,etc.	
	Suitable temperature	≤ 120℃	



**Product description**

Electric flanged soft seal butterfly valve is suitable for temperature ≤ 120℃ , nominal pressure ≤ 1.6MPa of food industry, pharmaceutical, chemical industry, oil, electricity power, textile, paper making and other water supply and drainage.

**Features**

- 1.Design reasonable, unique structure, light weight, open and close quickly,
2. Operation torque small, easy operation.
3. Mounted in any position, and easy maintenance.
- 4.The seal parts can be replaced, zero leakage of reliable seal performance.
5. The seal material anti-aging, corrosion resistance, long life and other characteristics.

**Electric soft seal butterfly valve flanged (LQ type) dimensions**

SIZE		Item	ØD1		L	H2	H1	n-Ø	
mm	inch		1.0MPa	1.6MPa				1.0MPa	1.6MPa
DN50	2"	QT-6	125		108	331	70	4-Ø18	
DN65	2 1/2"		145		112	355	78	4-Ø18	
DN80	3"	QT-10	160		114	372	87	4-Ø18	8-Ø18
DN100	4"		180		127	394	105	8-Ø18	
DN125	5"		210		140	414	120	8-Ø18	
DN150	6"	QT-20	240		140	478	134	8-Ø22	
DN200	8"	QT-24	295		152	508	163	8-Ø22	12-Ø22
DN250	10"	QT-50	350	355	165	571	202	12-Ø22	12-Ø26
DN300	12"	QT-110	400	410	178	735	230	12-Ø22	12-Ø26
DN350	14"		460	470	190	783	245	16-Ø22	16-Ø26
DN400	16"	QT-200	515	525	216	852	305	16-Ø28	16-Ø31
DN450	18"	QT-250	565	585	222	875	345	20-Ø28	20-Ø31
DN500	20"		620	650	229	907	375	20-Ø28	20-Ø34

Note: Above table size is not with standard parts, there may be some changes in the data due to product innovation and improved technology, the specific details please consult salesman.