

Characteristic: 1. Direct lifting diaphragm construction with high frequency

- 2. Open from 0 bar with large flow rate
- 3. Applied to low pressure system

Medium: Steam and Hot Water, Civil gas, Oil, etc.

Temperature: N-NBR: -5°C to 80°C

E-EPDM: -5°C to 100°C

V-VITON: -5°C to 120°C

Pressure: 0.0Mpa~1.0Mpa

Port Size: 3/8", 1/2", 3/4", 1", 1 1/4", 1 1/2", 2"

Port Thread: BSPP, BSPT, NPT, FLANGE

Orifice(mm): 15, 20, 25, 32, 40, 50

Voltage: DC-12V, 24V

AC-24V, 120V, 240V/60Hz; 110V, 220V/50Hz

Tolerance: ±10%

Coils: S51B: 30VA(AC), 24W(DC), IP65,100%ED

SD01B: 28VA(AC), 36W(DC), IP65,100%ED

Material: Body- Brass or stainless steel UPVC

Seal- VITON PTFE NBR EPDM

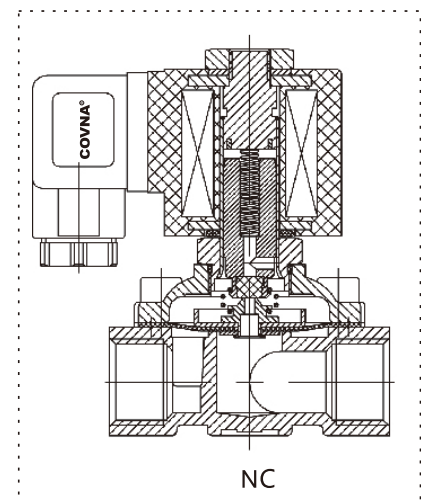
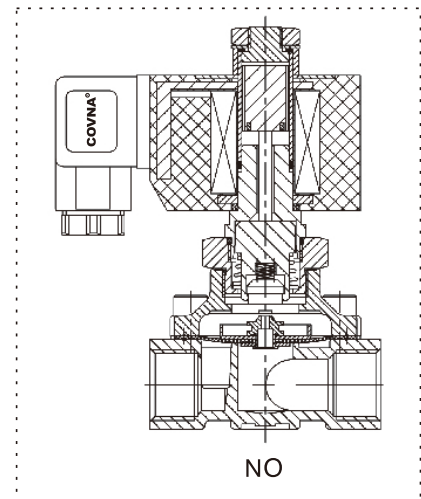
Armature Tube- Stainless Steel304

Plunger- Stainless Steel 430F

Stop- SS 403F

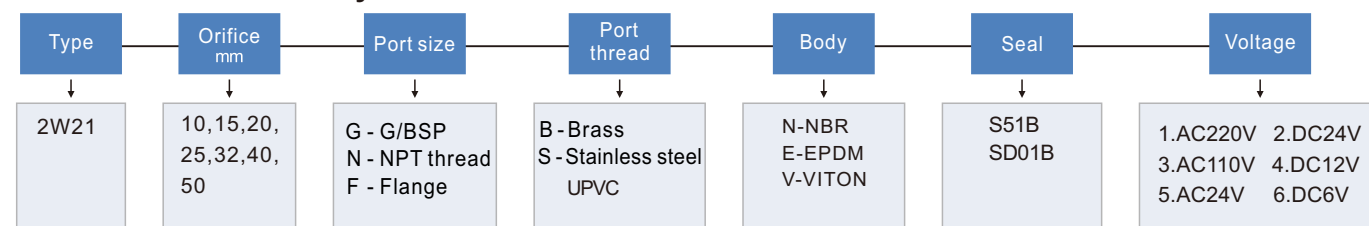
Springs-SS 304

Shading Rings-Stainless Steel 304



Model	Picture	Voltage	Motor Power	Protection Class	Available For	Outline Size Drawing
S51B		1.AC220V 2.AC110V 3.AC24V 1.DC24V 2.DC12V 3.DC6V <i>The voltage can be customized</i>	30VA 24W	IP65	DN10 DN15 DN20 DN25	
SD01B		1.AC220V 2.AC110V 3.AC24V 1.DC24V 2.DC12V 3.DC6V <i>The voltage can be customized</i>	28VA 36W	IP65	DN32 DN40 DN50	

**Determine Valve Body Code**



EXAMPLE:HK08 25 GBN S21H2, HK08 SERIES, NC, 25MM ORIFICE, 1"G, STAINLESS BODY, PET SEAL, COIL S21H, AC220V, DIN

**Technical Parameters**

Size	Port Size	Orifice mm	Cv	Min Pressure	Max Pressure		Operating Temperature		
					AC(30VA)	DC(24W)	NBR	EPDM	VITON
2W21-10	3/8"	10	4.5	0.0MPa	0.7MPa	0.7MPa	-5°C~80°C	-5°C~100°C	-5°C~120°C
2W21-15	1/2"	15	4.5	0.0MPa	0.7MPa	0.7MPa			
2W21-20	3/4"	20	9.3	0.0MPa	0.7MPa	0.7MPa			
2W21-25	1"	25	12	0.0MPa	0.7MPa	0.7MPa			
					AC(28VA)	DC(36W)			
2W21-32	1-1/4"	32	24	0.0MPa	1.0MPa	1.0MPa			
2W21-40	1-1/2"	40	29	0.0MPa	1.0MPa	1.0MPa			
2W21-50	2"	50	48	0.0MPa	1.0MPa	1.0MPa			

