

Characteristic: 1. Pilot operated diaphragm construction with less power consumption for longtime working

2. Seal serves long-time working in pipeline system
3. Used for long-time working in pipeline system

Medium: Steam, Hot Water, Oil, etc.

Temperature: PTFE Seal: -10°C to 180°C
Graphite Seal: -10°C to 220°C

Pressure: 0.05Mpa~1.6Mpa

Port Size: 3/8", 1/2", 3/4", 1", 1 1/4", 1 1/2", 2"

Port Thread: G, BSP, NPT

Orifice(mm): 12, 15, 20, 25, 32, 40, 50

Voltage: DC-12V, 24V, 36V

AC-24V, 120V, 240V/60Hz; 110V, 220V/50Hz

Tolerance: ±10%

Coils: S21H, 24VA(AC), 18W(DC), Ip65, 100%ED

Material: Body - Brass or stainless steel

Seal - VITON, NBR, EPDM

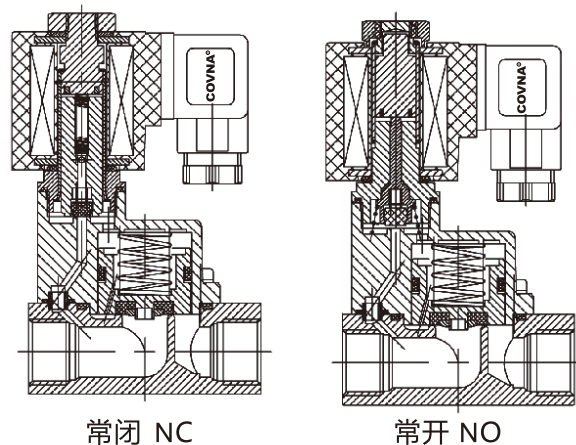
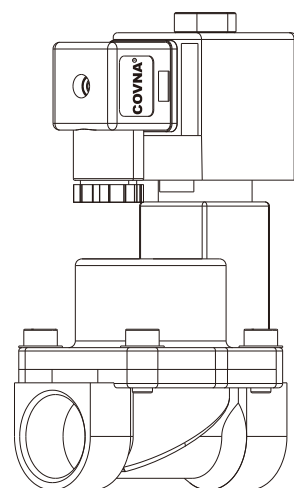
Armature Tube - Stainless Steel304

Plunger - Stainless Steel 430F

Stop - SS 403F

Springs - SS 304

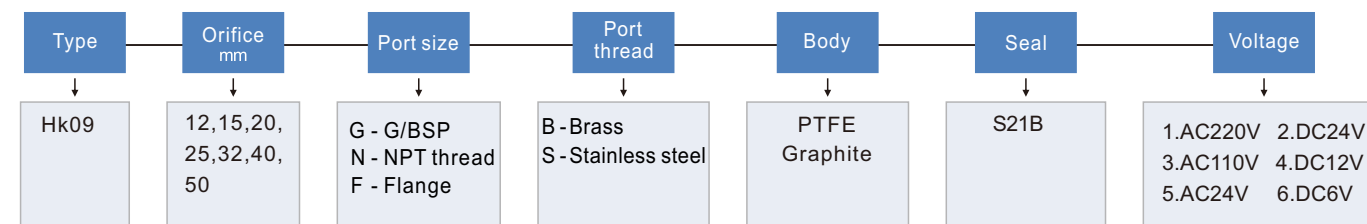
Shading Rings - Stainless Steel 304



Coils Parameters

Model	Picture	Voltage	Motor Power	Protection Class	Outline Size Drawing
S21B		1.AC220V 2.AC110V 3.AC24V 1.DC24V 2.DC12V 3.DC6V Special voltage can be customized	24VA 18W	IP65	

Determine Valve Body Code



EXMAPLE:HK08 SERIES, NC, 25MM ORIFICE, 1"G, STAINLESS BODY, PET SEAL, COIL S21H, AC220V, DIN

Technical Parameters

Size	Port Size	Orifice mm	Cv	Min Pressure	Max Pressure	Operating Temperature	Weight
HK09-12	3/8"	12	4.5	0.05MPa	1.6MPa	PTFE: -10°C~180°C Graphite: -10°C~220°C	
HK09-15	1/2"	15	4.5	0.05MPa	1.6MPa		
HK09-20	3/4"	20	9.3	0.05MPa	1.6MPa		
HK09-25	1"	25	12	0.05MPa	1.6MPa		
HK09-32	1-1/4"	32	24	0.05MPa	1.6MPa		
HK09-40	1-1/2"	40	29	0.05MPa	1.6MPa		
HK09-50	2"	50	48	0.05MPa	1.6MPa		
HK09F-25	1"	25	12	0.05MPa	1.6MPa		
HK09F-32	1-1/4"	32	24	0.05MPa	1.6MPa		
HK09F-40	1-1/2"	40	29	0.05MPa	1.6MPa		
HK09F-50	2"	50	48	0.05MPa	1.6MPa		

Outline Size Drawing

Hk09 Thread

Size	A	B	C
DN12	73	48	113
DN15	73	48	113
DN20	83	60	125
DN25	100	72	138
DN32	130	96	140
DN40	130	96	140
DN50	155	122	149

Hk09 Flange

Size	A	B	C	D	n-φd	E
DN15						
DN20						
DN25						
DN32						
DN40						
DN50						