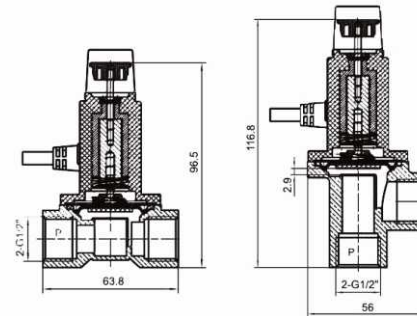


Characteristic:	Instantly Shut Kff With Electricity, reopen Whth Override
Medium	Gas, Ip-gas
Temperature	-5°C~80°C
Pressure	0.0MPa~0.5MPa
Port Size	1/2", 3/4", 1"
Port Thread	NPT, G
Orifice	15,20,25
Voltage	DC-12C,24C AC-24C,120C,240C/60HZ; 110V,220V/50HZ
Tolerance	±10%
Material	Seal-NBR Armature Tube-stainless Steel 304 Plunger-stainless Steel 403F Stip-stainless Steel 403F Springs-stainless Steel 304 Shading Rings-red copper



Size	Port Size	Orifice	Cv	Min Pressure	Max Pressure		Seal Material	Body Material	Soil
					AC(15VA)	DC(8VA)			
HKPS01A-15	1/2"	15	5.0	0.00MPa	0.5 MPa	0.5 MPa	NBR	AL Brass	SA17B
HKPS01A-20	3/4"	20	7.5	0.00MPa	0.5 MPa	0.5 MPa			SA17B
HKPS01A-25	1"	25	13.0	0.00MPa	0.5 MPa	0.5 MPa			SA17B