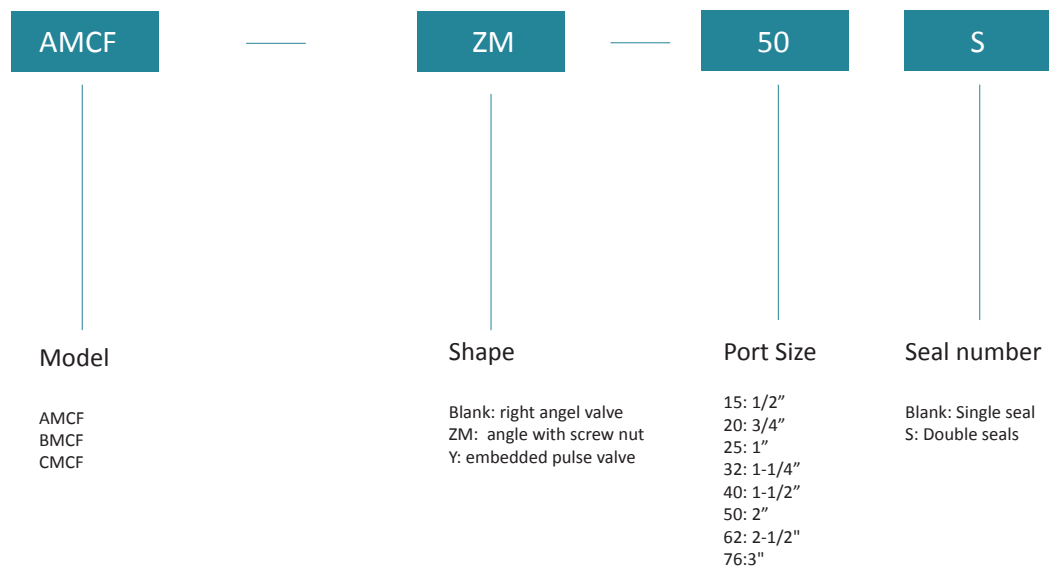


Features

1. Reverse pulse jet valves including right angle style and embedded pulse valve style, including single diaphragm and double diaphragm,
2. Port Size: 1", 1-1/2", 2", 2-1/2" 3", 4"
3. Working pressure: 0.4-0.6 Mpa
4. Media temperature: -20~80 Celsius degree
5. Voltage: 12VAC, 24VAC, 36VAC, 48VAC, 110VAC, 220VAC, 380V, DC24V and AC220V as regular
6. Body material: aluminum
7. Diaphragm life: 1 Million cycles or 3 years.

How to Order



WORKING PRINCIPLE

Solenoid pulse diaphragm valve is composed of two air cells. When the compressed air connects with the valve, it comes into air cell at the rear firstly through the inlet orifice. Then the pressure pushes the diaphragm closely against the outlet port of the valve to make the valve closed.

When the valve receives the signal from control device, it moves the armature and exhaust orifice of air cell at the rear is open, the air cell loses pressure quickly. The diaphragm returns back under the push of compressed air. The valve is open, compressed air blows by the valve.

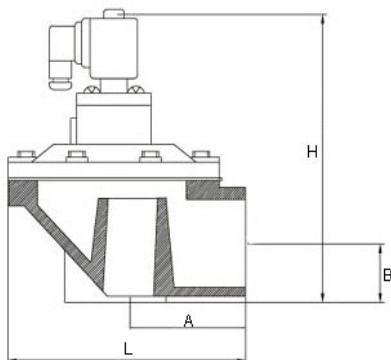
When signal disappears, armature returns to initial position, escape orifice is closed. The pressure of the air cell at the rear recovers, and push the diaphragm against the outlet port closed again, the valve is closed.

AMCF-15~AMCF-76S SERIES (GOYEN TYPE)



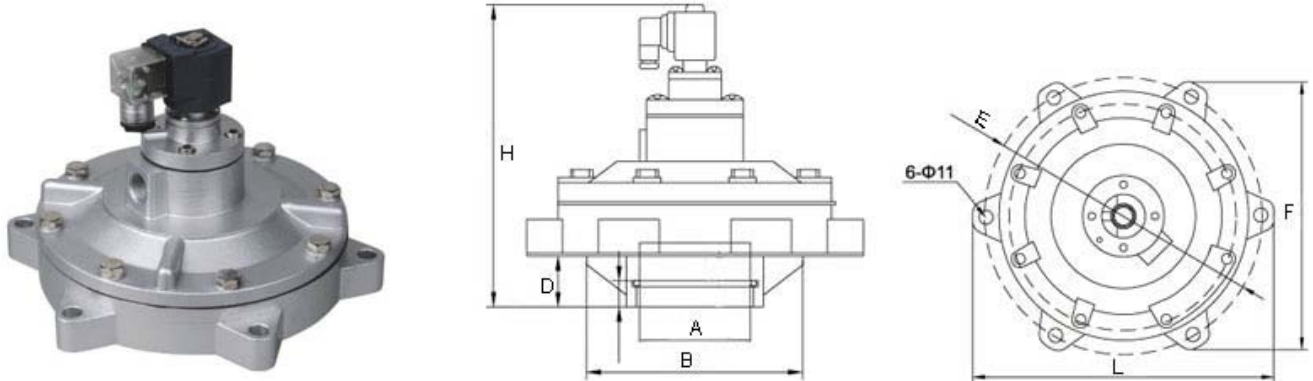
Model	Medium	Inlet thread size	Outlet thread size	Orifice (mm)	Diaphragm number	Surrounding temp.	Working Pressure	Body Material
AMCF-15	Compressed clean air	G1/2"	G1/2"	15	1	-25~55℃	0.4-0.6 Mpa	Aluminum
AMCF-20		G3/4"	G3/4"	20	1			
AMCF-25		G1"	G1"	25	1			
AMCF-35S		G1-1/2"	G1-1/2"	35	2			
AMCF-40S		G1-1/2"	G1-1/2"	40	2			
AMCF-50S		G2"	G2"	50	2			
AMCF-62S		G2-1/2"	G2-1/2"	62	2			
AMCF-76S		G3"	G3"	76	2			

DRAWINGS



MODEL	L	H	A	B
AMCF-15	101	124	62	21
AMCF-20	101	124	62	21
AMCF-25	110	125	63	21.5
AMCF-35S	140	142	78	32.5
AMCF-40S	140	170	78	32.5
AMCF-50S	210	200	112	40
AMCF-62S	210	225	115	48
AMCF-76S	217	254	117	66

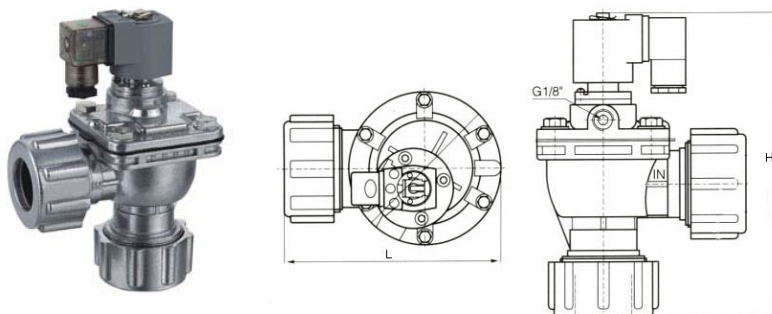
AMCF-Y-50S~AMCF-Y-76S SERIES (GOYEN TYPE)



Model	Medium	Inlet thread size	Outlet thread size	Orifice (mm)	Diaphragm number	Surrounding temp.	Working Pressure	Body Material
AMCF-Y-50S	Compressed clean air	G2"	60	50	2	-25~55℃	0.2-0.6 Mpa	Aluminum
AMCF-Y-62S		G2-1/2"	75	62	2			
AMCF-Y-76S		G3"	89	76	2			

Model (mm)	A	B	H	D	E	F	L
AMCF-Y-50S	60	118	188	31	180	178	202
AMCF-Y-62S	75	145	196	35	208	202	230
AMCF-Y-76S	89	142	200	35	226	219	249

AMCF-ZM-25, AMCF-ZM-45S SERIES (GOYEN TYPE)



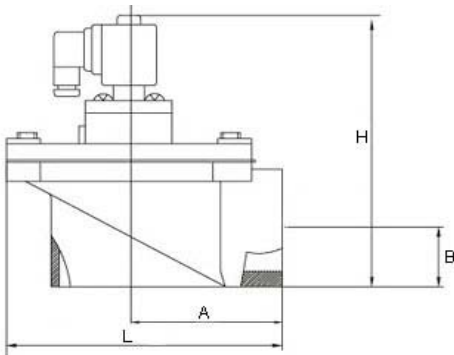
Model	L	H
AMCF-ZM-25	131	189
AMCF-ZM-45S	179.5	237

Model	Medium	Inlet thread size	Outlet connection	Orifice (mm)	Diaphragm number	Surrounding temp.	Working Pressure	Body Material
AMCF-ZM-25	Compressed clean air	35	35	25	1	-25~55℃	0.4-0.6 Mpa	Aluminum
AMCF-ZM-45S		50	50	45	2			

BMCF SERIES (ASCO TYPE)

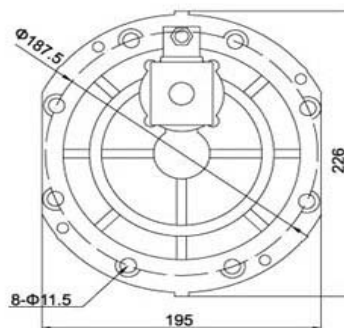
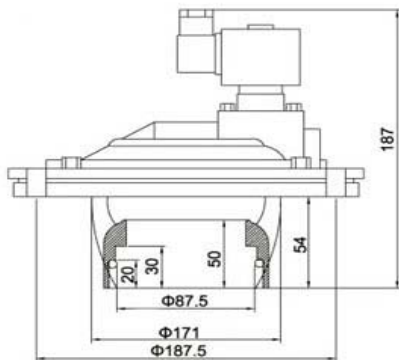


Model	Medium	Inlet thread size	Outlet thread size	Orifice (mm)	Diaphragm number	Surrounding temp.	Working Pressure	Body Material
BMCF-20	Compressed clean air	G3/4"	G3/4"	20	1	-25~55℃	0.4-0.6 Mpa	Aluminum
BMCF-25		G1"	G1"	25	1			
BMCF-40S		G1-1/2"	G1-1/2"	40	2			
BMCF-62S		G2-1/2"	G2-1/2"	62	2			



Model	L	H	A	B
BMCF-20	88	112		17
BMCF-25	88	112		17
BMCF-40S	130	160	70	30
BMCF-62S	168	206	78	46.5

Model	Medium	Inlet thread size	Outlet connection	Orifice (mm)	Diaphragm number	Surrounding temp.	Working Pressure	Body Material
BMCF-Y-76S	Compressed clean air	G3"	88	76	2	-25~55℃	0.2-0.6 Mpa	Aluminum

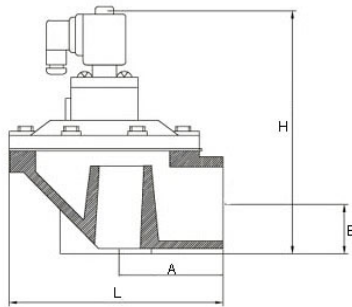


**CMCF SERIES
(XHNOTION TYPE)**

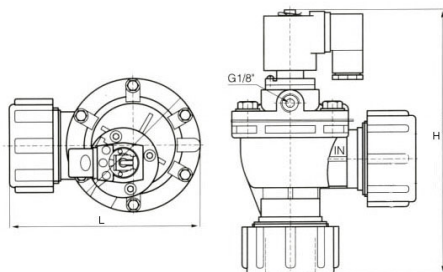


Model	Medium	Inlet thread size	Outlet thread size	Orifice (mm)	Diaphragm number	Surrounding temp.	Working Pressure	Body Material
CMCF-20	Compressed clean air	G3/4"	G3/4"	20	1	-25~55℃	0.4-0.6 Mpa	Aluminum
CMCF-25		G1"	G1"	25	1			
CMCF-40S		G1-1/2"	G1-1/2"	40	2			
CMCF-50S		G2"	G2"	50	2			
CMCF-62S		G2-1/2"	G2-1/2"	62	2			
CMCF-76S		G3"	G3"	76	2			
CMCF-20L		G3/4"	27mm	20	1			
CMCF-76S		G3"	G3"	76	2			
CMCF-20L		G3/4"	27mm	20	1			

DRAWINGS

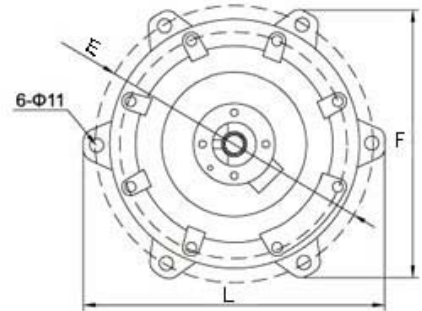
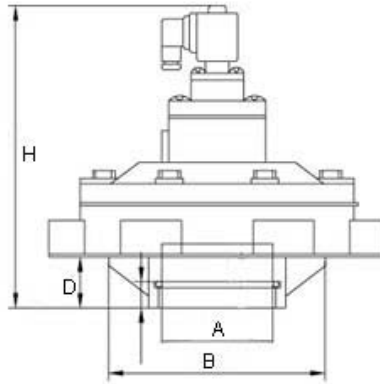


Model (mm)	L	H	A	B
CMCF-20	88	128	48	20
CMCF-25	108	136	60	23
CMCF-40S	131	184	75	32
CMCF-50S	180	206	100	43
CMCF-62S	204	226	110	49
CMCF-76S	220	254	120	99
AMCF-62S	210	225	115	48
AMCF-76S	217	254	117	66



Model (mm)	L	H
CMCF-ZM-20	119	168
CMCF-ZM-25	140	192
CMCF-ZM-40S	166	242

Model	Medium	Inlet	Outlet	Orifice (mm)	Diaphragm number	Surrounding temp.	Working Pressure	Body Material
CMCF-ZM-20	Compressed clean air	27mm	27mm	20	1	-25~55℃	0.4-0.6 Mpa	Aluminum
CMCF-ZM-25		34mm	34mm	25	1			
CMCF-ZM-40S		48mm	48mm	40	2			

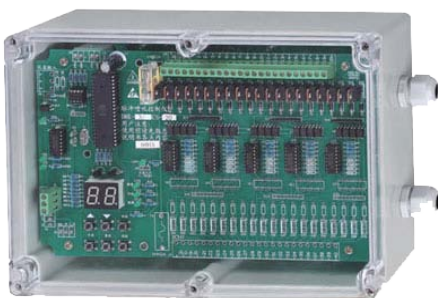


Model	Medium	Inlet thread size	Outlet thread size	Orifice (mm)	Diaphragm number	Surrounding temp.	Working Pressure	Body Material
CMCF-Y-25	Compressed clean air	G1"	G1"	25	1	-25~55 °C	0.2-0.6 Mpa	Aluminum
CMCF-Y-40S		G1-1/2"	G1-1/2"	40	2			
CMCF-Y-50S		G2"	60mm	50	2			
CMCF-Y-62S		G2-1/2"	75mm	62	2			
CMCF-Y-76S		G3"	89mm	76	2			

SIGNAL CONTROLLER



Model	MCY-20L
Input voltage	AC110VAC, 220VAC
Output voltage	DC24V, AC110VAC, 220VAC
Output current	1A
Power consumption	5W
Interval time range	1-250s
On time range	30ms-2500ms
Output Line no.	1-20 lines
Working environment	-25~60 °C
Weight & Dimensions	0.8kgs, 160x120x80mm



Model	MCY-64
Input voltage	AC110VAC, 220VAC
Output voltage	DC24V, AC110VAC, 220VAC
Output current	1A
Power consumption	5W
Interval time range	1-250s
On time range	30ms-2500ms
Output Line no.	1-64 lines
Working environment	-25~60 °C
Weight & Dimensions	1.8kgs, 248X188X105mm, 222X145X75 (8 LINES)