

Characteristic: 1. Direct lifting diaphragm construction with high frequency

2. Open from 0 bar with large flow rate
3. Applied to low pressure system

Medium: Steam and Hot Water, Civil gas, Oil, etc.

Temperature: N-NBR: -5°C to 80°C

E-EPDM: -5°C to 100°C

V-VITON: -5°C to 120°C

Pressure: 0.0Mpa~1.0Mpa

Port Size: 3/8", 1/2", 3/4", 1", 1 1/4", 1 1/2", 2"

Port Thread: BSPP, BSPT, NPT, FLANGE

Orifice(mm): 15, 20, 25, 32, 40, 50

Voltage: DC-12V, 24V

AC-24V, 120V, 240V/60Hz; 110V, 220V/50Hz

Tolerance: ±10%

Coils: S51B: 30VA(AC), 24W(DC), IP65,100%ED

SD01B: 28VA(AC), 36W(DC), IP65,100%ED

Material: Body- Brass or stainless steel UPVC

Seal- VITON PTFE NBR EPDM

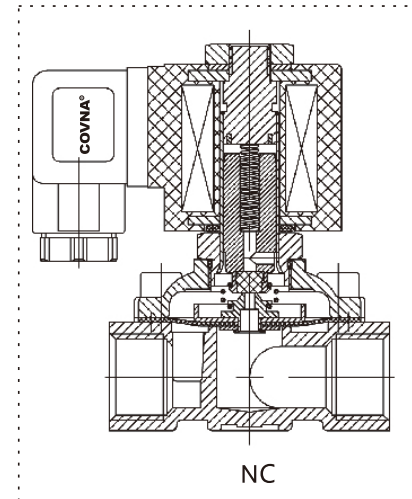
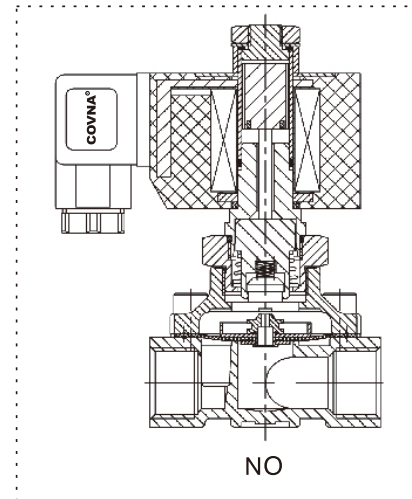
Armature Tube- Stainless Steel304


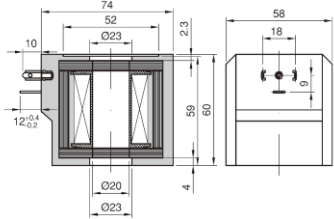

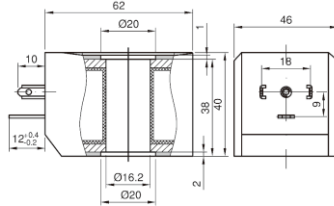
Plunger- Stainless Steel 430F

Stop- SS 403F

Springs-SS 304

Shading Rings-Stainless Steel 304



Model	Picture	Voltage	Motor Power	Protection Class	Available For	Outline Size Drawing
S51B		1.AC220V 2.AC110V 3.AC24V 1.DC24V 2.DC12V 3.DC6V <i>The voltage can be customized</i>	30VA 24W	IP65	DN10 DN15 DN20 DN25	
SD01B		1.AC220V 2.AC110V 3.AC24V 1.DC24V 2.DC12V 3.DC6V <i>The voltage can be customized</i>	28VA 36W	IP65	DN32 DN40 DN50	

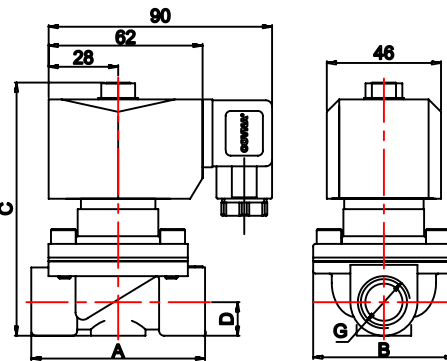
Determine Valve Body Code

Type	Orifice mm	Port size	Port thread	Body	Seal	Voltage
2W21	10,15,20, 25,32,40, 50	G - G/BSP N - NPT thread F - Flange	B - Brass S - Stainless steel UPVC	N-NBR E-EPDM V-VITON	S51B SD01B	1.AC220V 2.DC24V 3.AC110V 4.DC12V 5.AC24V 6.DC6V

EXAMPLE:HK08 25 GBN S21H2, HK08 SERIES, NC, 25MM ORIFICE, 1"G, STAINLESS BODY, PET SEAL, COIL S21H, AC220V, DIN

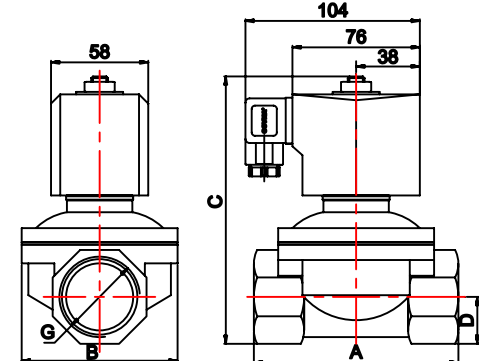
Technical Parameters

Size	Port Size	Orifice mm	Cv	Min Pressure	Max Pressure		Operating Temperature		
					AC(30VA)	DC(24W)	NBR	EPDM	VITON
2W21-10	3/8"	10	4.5	0.0MPa	0.7MPa	0.7MPa	-5°C~80°C	-5°C~100°C	-5°C~120°C
2W21-15	1/2"	15	4.5	0.0MPa	0.7MPa	0.7MPa			
2W21-20	3/4"	20	9.3	0.0MPa	0.7MPa	0.7MPa			
2W21-25	1"	25	12	0.0MPa	0.7MPa	0.7MPa			
					AC(28VA)	DC(36W)			
2W21-32	1-1/4"	32	24	0.0MPa	1.0MPa	1.0MPa			
2W21-40	1-1/2"	40	29	0.0MPa	1.0MPa	1.0MPa			
2W21-50	2"	50	48	0.0MPa	1.0MPa	1.0MPa			



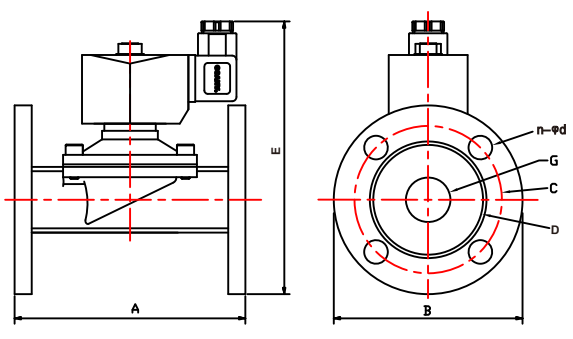
2W21 Thread DN10-DN25

Size	2W21-10	2W21-15	2W21-20	2W21-25
A	68	68	68	97
B	56	56	56	76
C	NO	110	128	135
	NC	100	110	117
D	13.5	13.5	16.5	20



2W21 Thread DN32-DN50

Size	2W21-32	2W21-40	2W21-50
A	115	122	166
B	86	93	118.5
C	NO	148	157
	NC	148	157
D	24	28	36



2W21 Flange

Size	A	B	C	D	n-φd	E	
						NO	NC
2W21-15	101	∅90	∅65	∅40	4-∅14	145	135
2W21-20	103	∅100	∅75	∅48	4-∅14	157	147
2W21-25	133	∅110	∅85	∅62	4-∅14	162	152
2W21-32	142.5	∅132	∅100	∅66	4-∅18	185	185
2W21-40	152	∅142	∅110	∅76	4-∅18	200	200
2W21-50	178	∅155	∅125	∅96	4-∅18	212	212