

- Characteristic:
1. Direct acting miniature construction at low power consumption
  2. With TUV certificate for household appliance use like coffee machine, electrical iron, steam cleaner
  3. Applied to low pressure system, open from 0 bar

Medium: Air, Water, Steam, Oil, etc.

Temperature: VITON Seal: -10°C to 150°C

Pressure: 55 series: 0.0Mpa~2.0Mpa

Port Size: 1/8" and other

Port Thread: BSPP, BSPT, NPT

Orifice(mm): 1.0, 1.2, 1.6, 2.0, 2.6, 2.8

Voltage: DC-12V, 24V  
AC-24V, 120V, 240V/60Hz; 110V, 220V/50Hz

Tolerance: ±10%

Coils: SA11B, 9VA(AC), 8W(DC), Ip65, 100%ED

Material: Body - Brass

Seal - VITON

Plunger - Stainless Steel 430F

Stop - SS403F

Springs - SS 304



5503-1



5503-2



5523



5524-3



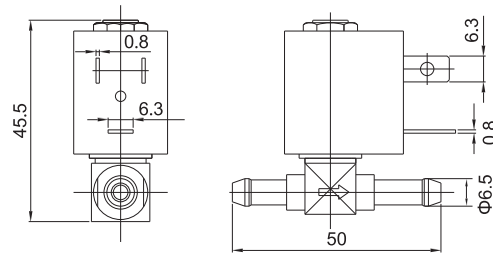
5531-3



5531-4

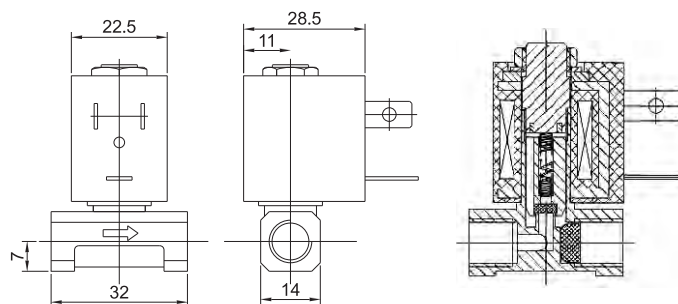
**Determine Valve Body Code**

| Type                                   | Orifice mm  | Port size                                | Port thread                 | Body    | Seal      | Voltage  |
|--|---|--|-----------------------------|---------|-----------|--|
| 5503, 5515<br>5523, 5524<br>5525, 5531 | 10 - 1.0 20 - 2.0<br>12 - 1.2 26 - 2.6<br>16 - 1.6 28 - 2.8 | 1 - 1/8<br>2 - 1/4<br>3 - 3/8<br>4 - 1/2 | G - G/BSP<br>N - NPT thread | B-Brass | V - VITON | 1.AC220V 2.DC24V<br>3.AC110V 4.DC12V<br>5.AC24V 6.DC6V |



**5503-01 NC**

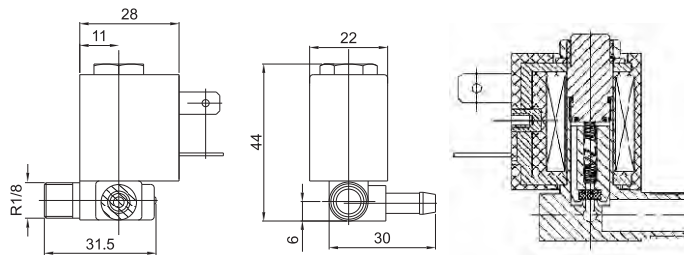
Media: Water, air, oil, hot water etc.  
Media TEP.: -10°C~150°C  
Body: Brass  
Pre.:0~10.0 Bar  
Port: G1/8" or NPT1/8"  
Orifice: DN2.0  
Seal: VITON



**5503-02**

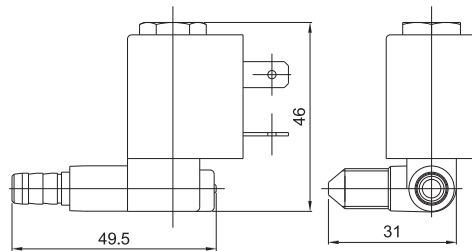
Media: Water, air, oil, hot water etc.  
Media TEP.: -10°C~150°C  
Body: Brass  
Pre.:0~6.0 Bar  
Port: G1/8" or NPT1/8"  
Orifice: DN2.0, 2.8  
Seal: VITON

**Small Home Appliances Valve 55XX Series**



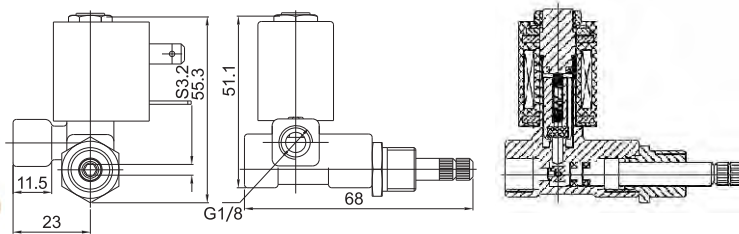
**5523**

Media: Water, air, oil, hot water etc.  
Media TEP.: -10°C~150°C  
Body: Brass  
Pre.:0~10.0 Bar  
Port: Inlet: R1/8" or NPT1/8"  
Outlet:  $\Phi$ 6.2mm outer dia.  
Orifice: DN2.3  
Seal: VITON



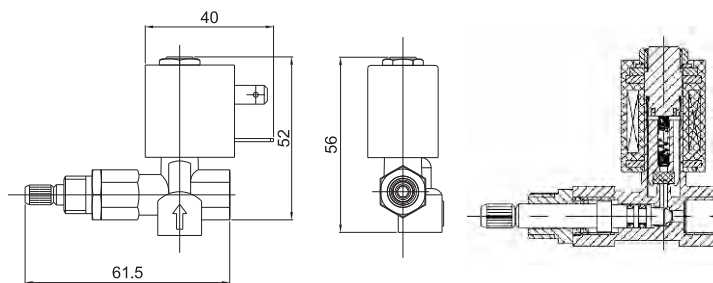
**5524-03**

Media: Water, air, oil, hot water etc.  
Media TEP.: -10°C~150°C  
Body: Brass  
Pre.:0~10.0 Bar  
Port: Inlet: G1/8" or NPT1/8"  
Outlet:  $\Phi$ 7.5mm outer dia.  
Orifice: DN2.3  
Seal: VITON



**5531-03**

Media: Gas etc.  
Media TEP.: -10°C~150°C  
Body: Brass  
Pre.:0~6.0 Bar  
Port: G1/8" or NPT1/8"  
Orifice: DN2.8  
Adjustable orifice: DN0.75, 1.0, 1.35  
Seal: VITON



**5531-04**

Media: Gas etc.  
Media TEP.: -10°C~150°C  
Body: Brass  
Pre.:0~6.0 Bar  
Port: G1/8" or NPT1/8"  
Orifice: DN2.0  
Seal: VITON