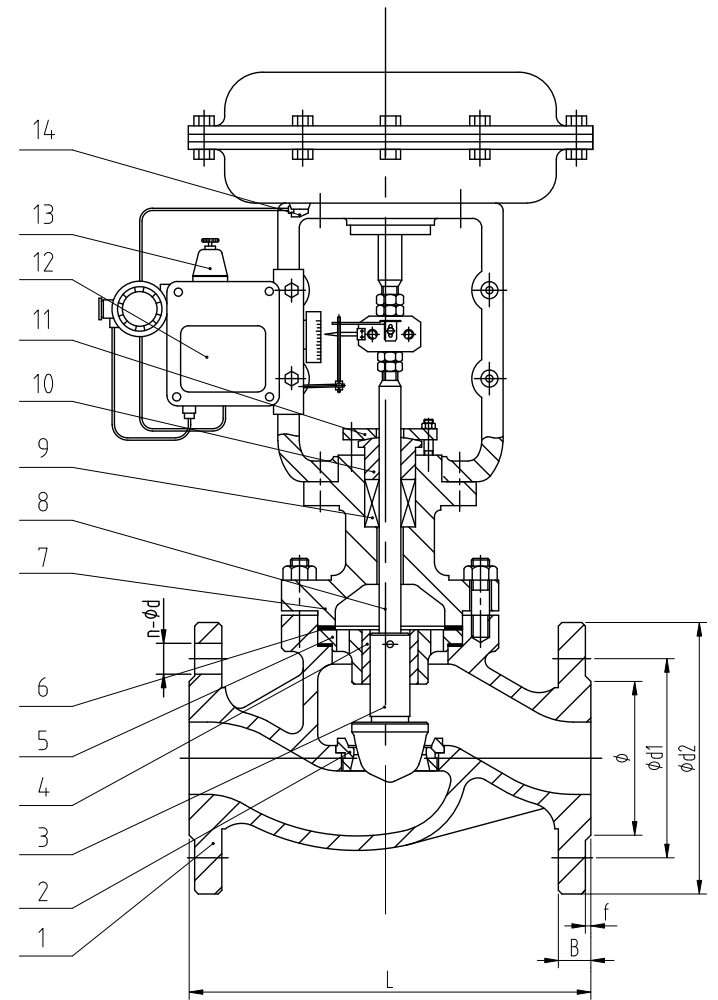


REVISIONS				
ZONE	REV	DESCRIPTION	DATE	APPROVED



	ϕ	$\phi d1$	$\phi d2$	f	B	L	n- ϕ
DN25	56	90	125	1	14	185	4- $\phi 19$

Technical Specification

1. Design and manufacture: JB/T7387-94
2. End connections standard: JIS B2220-2004
3. Inspection and test: JB/T7387-94

14	Air Tube	SS304	
13	Regulator	plastic	
12	Positioner	AL	
11	Packing	PTFE	
10	Cap	Ci	
9	Nut	45	
8	Screw	35CrMo	
7	Stem	SS304	
6	Seat	Metal	
5	Guide sleeve	45	
4	Spool	20Cr13	
3	Spool	SS304	
2	Seat	SS304	
1	Body	Ci	
D	Name	Materials	Remarks

TOLERANCE
UNLESS OTHERWISE SPECIFIED
DECIMALS: .0 \pm .1
.00 \pm .01
.000 \pm .005
ANGLES: MACH. $\pm 1^{\circ}00'$
FORMED $\pm 2^{\circ}$
FRACTIONS: $\pm \frac{1}{16}''$
APPROVED BY
BOND
CHECKED BY
JULIA
DRAWING BY
C L

科威納 | COVNA[®] VALVE | COVNA GROUP CO.,LTD

TITLE
Pneumatic Diaphragm Control Valve JIS 10K

FSCM: _____ DWG NO. _____ REV
A

SIZE mm SCALE 1:1 SHEET SHEET 1 OF 1