

Characteristic: 1. Direct lifting diaphragm construction with high frequency
2. Open from 0 bar with large flow rate
3. Applied to low pressure system

Medium: Steam and Hot Water, Civil gas, Oil, etc.

Temperature: N-NBR: -5°C to 80°C
E-EPDM: -5°C to 100°C
V-VITON: -5°C to 120°C

Pressure: 0.0Mpa~1.0Mpa

Port Size: 3/8", 1/2", 3/4", 1", 1 1/4", 1 1/2", 2"

Port Thread: BSPP, BSPT, NPT, FLANGE

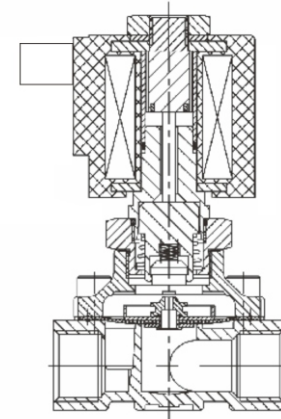
Orifice(mm): 15, 20, 25, 32, 40, 50

Voltage: DC-12V, 24V
AC-24V, 120V, 240V/60Hz; 110V, 220V/50Hz

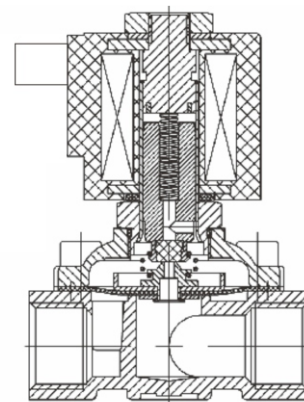
Tolerance: ±10%

Coils: F14, 26VA(AC), 13W(DC), IP68, 100%ED
F24, 28VA(AC), 15W(DC), IP68, 100%ED

Material: Body- Brass or stainless steel UPVC
Seal- VITON PTFE NBR EPDM
Armature Tube- Stainless Steel304
Plunger- Stainless Steel 430F
Stop- SS 403F
Springs-SS 304
Shading Rings-Stainless Steel 304



NO



NC



Model	Picture	Voltage	Motor Power	Protection Class	Available For	Outline Size Drawing
F14		1.AC220V 2.AC110V 3.AC24V 1.DC24V 2.DC12V 3.DC6V <i>The voltage can be customized</i>	26VA 13W	IP68	DN10 DN15 DN20 DN25	
F24		1.AC220V 2.AC110V 3.AC24V 1.DC24V 2.DC12V 3.DC6V <i>The voltage can be customized</i>	28VA 15W	IP68	DN32 DN40 DN50	

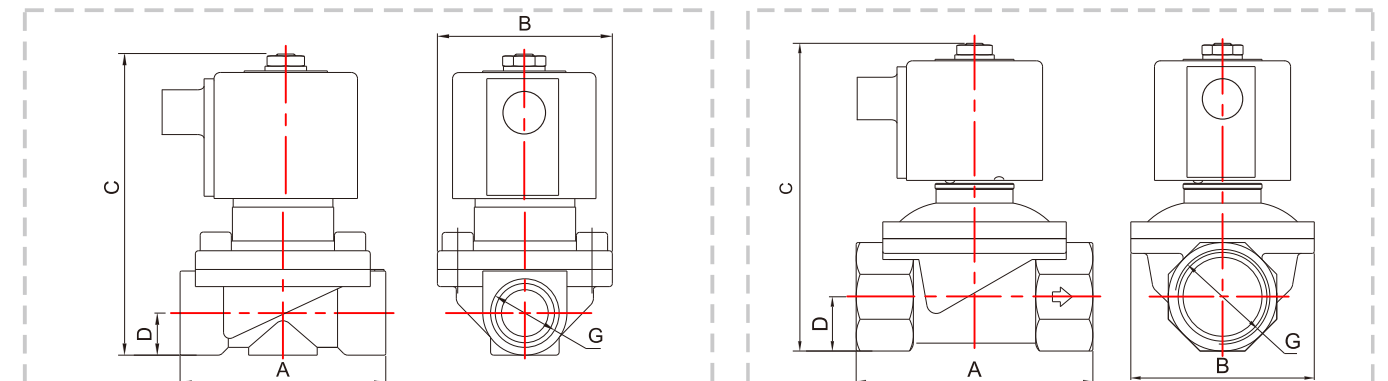
Determine Valve Body Code

Type	Orifice mm	Port size	Port thread	Body	Seal	Voltage
HKPF	10,15,20, 25,32,40, 50	G - G/BSP N - NPT thread F - Flange	B - Brass S - Stainless steel UPVC	N-NBR E-EPDM V-VITON	F14 F24	1.AC220V 2.DC24V 3.AC110V 4.DC12V 5.AC24V 6.DC6V

EXAMPLE:HK08 SERIES, NC, 25MM ORIFICE, 1"G, STAINLESS BODY, PET SEAL, COIL S21H, AC220V, DIN

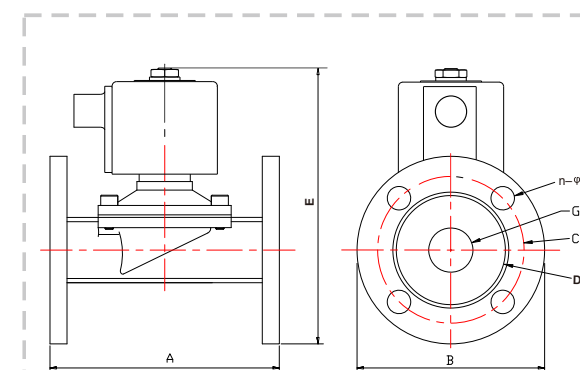
Technical Parameters

Size	Port Size	Orifice	Cv	Min Pressure	Max Pressure		Operating Temperature		
					AC(26VA)	DC(13W)	NBR	EPDM	VITON
HKPF-10	3/8"	10	4.5	0.0MPa	0.7MPa	0.7MPa	-5°C~80°C	-5°C~100°C	-5°C~120°C
HKPF-15	1/2"	15	4.5	0.0MPa	0.7MPa	0.7MPa			
HKPF-20	3/4"	20	9.3	0.0MPa	0.7MPa	0.7MPa			
HKPF-25	1"	25	12	0.0MPa	0.7MPa	0.7MPa			
					AC(28VA)	DC(15W)			
HKPF-32	1-1/4"	32	24	0.0MPa	1.0MPa	1.0MPa			
HKPF-40	1-1/2"	40	29	0.0MPa	1.0MPa	1.0MPa			
HKPF-50	2"	50	48	0.0MPa	1.0MPa	1.0MPa			



Size	HKPF-10	HKPF-15	HKPF-20	HKPF-25
A	68	68	68	97
B	56	56	56	76
C	NO	100	122	127
	NC	90	112	117
D	13.5	13.5	16.5	2

Size	HKPF-32	HKPF-40	HKPF-50
A	115	122	166
B	86	93	118.5
C	NO	153	160
	NC	153	160
D	24	28	36



HKPF Flange

Size	A	B	C	D	n-φd	E	
						NO	NC
HKPF-15	101	∅90	∅65	∅40	4-∅14	145	135
HKPF-20	103	∅100	∅75	∅48	4-∅14	157	147
HKPF-25	133	∅110	∅85	∅62	4-∅14	162	152
HKPF-32	142.5	∅132	∅100	∅66	4-∅18	185	185
HKPF-40	152	∅142	∅110	∅76	4-∅18	200	200
HKPF-50	178	∅155	∅125	∅96	4-∅18	212	212