

Characteristic: 1. Pilot operated piston construction with low power consumption

2. Seal serves longtime at steam ambient

3. Used for long-time working in pipeline system

Medium: Steam, Hot Water, Oil, etc.

Temperature: PTFE Seal:-10°C to 180°C

VITON Seal:-5°C to 120°C

Pressure: ZCT21: 0.0Mpa~1.0Mpa NC

Port Size: 3/8", 1/2", 3/4", 1"

Port Thread: BSPP, BSPT, NPT, Flange

Orifice(mm): 5, 10, 15, 20, 25

Voltage: DC-12V, 24V

AC-24V, 120V, 240V/60Hz; 110V, 220V/50Hz

Tolerance: ±10%

Coils: S21B,20VA(AC), 18W(DC), Ip65, 100%ED

Y21B,18VA(AC), 16W(DC), Ip65, 100%ED

Material: Body - Brass or stainless steel

Seal - PET

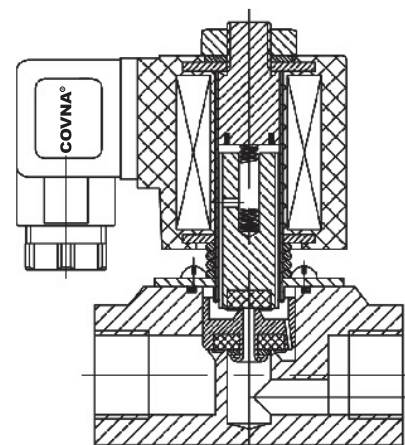
Armature Tube - Stainless Steel304

Plunger - Stainless Steel 430F


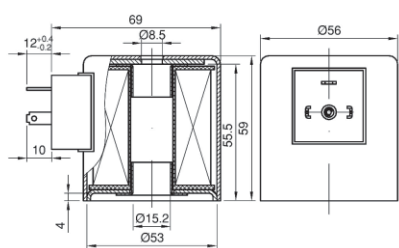

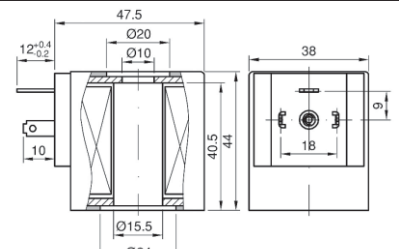
Stop - SS 403F

Springs - SS 304

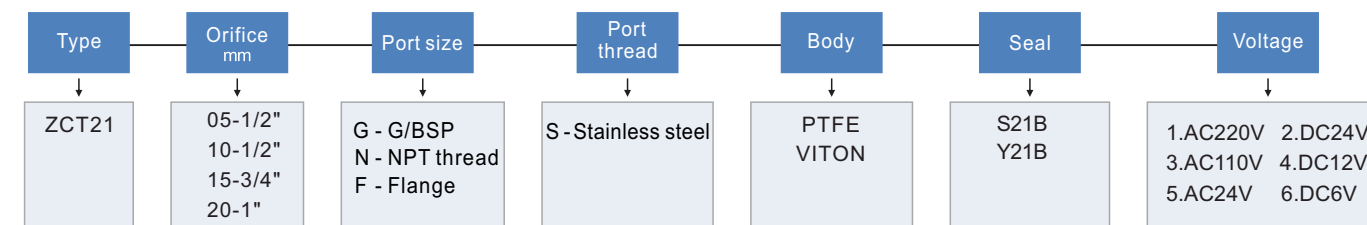
Shading Rings - Stainless Steel 304



**Coils Parameters**

Model	Picture	Voltage	Motor Power	Protection Class	Outline Size Drawing
Y21B		1.AC220V 2.AC110V 3.AC24V 1.DC24V 2.DC12V 3.DC6V <i>Special voltage can be customized</i>	18VA 16W	IP65	
S21B		1.AC220V 2.AC110V 3.AC24V 1.DC24V 2.DC12V 3.DC6V <i>Special voltage can be customized</i>	24VA 18W	IP65	

**Determine Valve Body Code**



EXMAPLE:ZCT 25 GBN S21B1, ZCT SERIES, NC, 15MM ORIFICE, 1"G, STAINLESS STEEL BODY, NBR SEAL, COIL S21B, AC220V, DIN

**Technical Parameters**

Size	Port Size	Orifice mm	Cv	Min Pressure	Max Presuure	Operating Temperature	Weight
ZCT21-05	1/2"	05	0.5	0.00MPa	1.0MPa	PTFE -10°C~180°C	
ZCT21-15	1/2"	10	2.8	0.00MPa	1.0MPa		
ZCT21-20	3/4"	15	2.8	0.00MPa	1.0MPa	VITON -5°C~120°C	
ZCT21-25	1"	15	2.8	0.00MPa	1.0MPa		

**Outline Size Drawing**

Size	A	B	C	D
ZCT21-05	50	30	75	16
ZCT21-12	70	30	82	16
ZCT21-15	80	40	92	19
ZCT21-20	80	40	92	19
ZCT21-25	80	40	92	19

