

- Characteristic: 1. Pilot operated piston construction with low power consumption
2. Seal serves longtime at steam ambient.
3. Used for long-time working in pipeline system

Medium: Steam, Hot Water, Oil, etc.

Temperature: PTFE Seal: -10°C~180°C
VITON Seal: -5°C~120°C

Pressure: 0.03Mpa~1.0Mpa

Port Size: 1/2", 3/4", 1", 1 1/4", 1 1/2", 2"

Port Thread: BSPP, BSPT, NPT, Flange

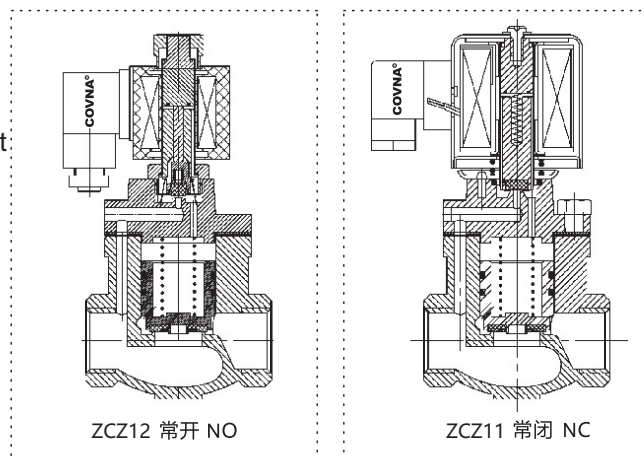
Orifice(mm): 15, 20, 25, 32, 40, 50

Voltage: DC-12V, 24V
AC-24V, 120V, 240V/60Hz; 110V, 220V/50Hz

Tolerance: ±10%

Coils: Y21B, 18VA(AC), 16W(DC), Ip65, 100%ED
Y51B, 70VA(AC), 50W(DC), Ip65, 100%ED

Material: Body - Brass or stainless steel
Seal - PET
Armature Tube - Stainless Steel304
Plunger - Stainless Steel 430F
Stop - SS 403F
Springs - SS 304
Shading Rings - Stainless Steel 304°C



Coils Parameters

Model	Picture	Voltage	Motor Power	Protection Class	Available For	Outline Size Drawing
Y21B		1.AC220V 2.AC110V 3.AC24V 1.DC24V 2.DC12V 3.DC6V <i>Special Voltage Can Be Customized</i>	18VA 16W	IP65	DN10 DN15 DN20 DN25	
Y51B		1.AC220V 2.AC110V 3.AC24V 1.DC24V 2.DC12V 3.DC6V <i>Special Voltage Can Be Customized</i>	70VA 50W	IP65	DN32 DN40 DN50	

Determine Valve Body Code

Type	Orifice mm	Port size	Port thread	Body	Seal	Voltage
ZCZ11 ZCZ12	15, 20, 25, 32, 40, 50	G - G/BSP N - NPT thread	B - Brass	PTFE VITON	Y21B Y51B	1.AC220V 2.DC24V 3.AC110V 4.DC12V 5.AC24V 6.DC6V

EXMAPLE:US 15 GBN Y41H1, US SERIES, NC, 15MM ORIFICE, 1/2"G, BRASS BODY, PTFE SEAL, COIL Y42H, AC220V, DIN

Technical Parameters

Size	Port Size	Orifice mm	Cv	Min Pressure	Max Pressure	Operating Temperature	Weight
DN15	1/2"	15	4.5	0.03MPa	1.0MPa	PTFE -10°C~180°C	
DN20	3/4"	20	9.3	0.03MPa	1.0MPa		
DN25	1"	25	12	0.03MPa	1.0MPa		
DN32	1-1/4"	32	24	0.03MPa	1.0MPa	VITON -5°C~120°C	
DN40	1-1/2"	40	29	0.03MPa	1.0MPa		
DN50	2"	50	48	0.03MPa	1.0MPa		

Outline Size Drawing

Thread

阀体	A	B	C	D
DN15	70	60	150	22
DN20	80	65	160	25
DN25	100	80	170	30
DN32	140	80	210	30
DN40	140	110	200	43
DN50	140	110	205	48

Flange

阀体	A	B	C	D	n-φd
DN15	100	∅95	190	∅65	4-∅14
DN20	120	∅105	210	∅75	4-∅14
DN25	120	∅115	210	∅85	4-∅14
DN32	135	∅140	220	∅100	4-∅18
DN40	155	∅150	220	∅110	4-∅18
DN50	165	∅165	240	∅125	4-∅18