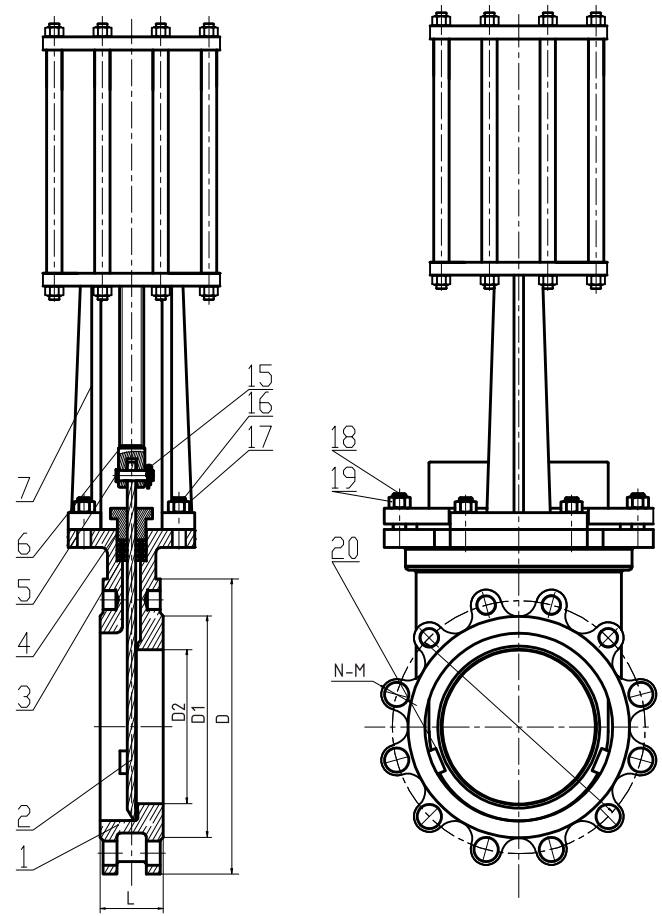


REVISION		DATE	APPROVED
ZONE	REV	DESCRIPTION	



NO.	Item Code	Item	Qty	Material	Remark
20		located block	2	GB/T3077-99 25#	
19	GB/T6175-2000	Nut	2	GB/T3077-99 25#	M14
18	GB901-1988	Screw	2	GB/T3077-99 35#	M14X60
17	GB/T6175-2000	Nut	4	GB/T3077-99 25#	M14
16	GB901-1988	Screw	4	GB/T3077-99 35#	M14X55
15	GB91-86	Locating Rod	1	GB/T3077-99 25#	φ3.2
14	GB/T301-1995	Bearing 51110	1	GB/T12229-2005 WCB	
13	-08	Bearing Gland	1	GB/T3077-99 25#	
12	GB71-1985	Nut	1	GB/T3077-99 25#	
11	-06	Valve Stem Screw	1	GB/T12225-2005 ZCuAl9Mn2	
10	JB/T1700.2-1991	Nut	1	304	M45X2X12
9	-07	Cylinder	1	GB/T9440-1988 KTH350-10	
8	GB/T1096-1979	Flat Rod	1	304	
7	-05	Bracket	1	304	
6	-04	Valve Stem	1	GB/T12220-92-2Cr1	
5	GB/T882-1986	connecting yoke	1	GB/T3077-99 35#	φ10X38
4	-03	Gland	1	GB/T12229-2005 WCB	
3	JB/T1712-1991	Seat	1		
2	-02	Disc	1	201	
1	-01	Body	1	GB/T12229-2005 WCB	

Flange Connect GB/T9113.1 1.0MPa

DN	50	65	80	100	125	150	200	250	300	350	400	450	500	600	700	800
INCH	2"	2-1/2"	3"	4"	5"	6"	8"	10"	12"	14"	16"	18"	20"	24"	28"	32"
L	50	50	50	50	50	60	60	70	80	90	100	110	114	114	160	160
D	160	180	195	215	245	280	335	390	440	500	565	615	670	780	895	1010
D ₁	125	145	160	180	210	240	295	350	400	460	515	565	620	725	840	950
D ₂	100	120	135	155	185	210	265	320	368	428	482	532	585	685	800	905
N-M	4-16	4-16	8-16	8-16	8-16	8-20	8-20	12-20	12-20	16-20	16-24	20-24	20-24	20-27	24-27	24-30

TOLERANCE
UNLESS OTHERWISE SPECIFIED
DECIMALS: .0 ± .1
.00 ± .01
.000 ± .005
ANGLES: MACH. ± 1°00'
FORMED ± 2°
FRACTIONS: ± 1/16"

APPROVED BY
BOND

CHECKED BY
JULIA

DRAWING BY
C L

科威納 COVNA VALVE COVNA GROUP CO.,LTD

TITLE
PNEUMATIC KNIFE GATE VALVE

FSCM: _____ DWG NO. _____ REV
A

SIZE mm SCALE 1:1 SHEET SHEET 1 OF 1