

Characteristic: 1. Direct lifting diaphragm construction with high frequency

- Open from 0 bar with large flow rate
- Applied to low pressure system

Medium: Steam and Hot Water, Civil gas, Oil, etc.

Temperature: N-NBR: -5°C to 80°C

E-EPDM : -5°C to 100°C

V-VITON: -5°C to 120°C

Pressure: 0.0Mpa~1.0Mpa

Port Size: 3/8", 1/2", 3/4", 1", 1 1/4", 1 1/2", 2"

Port Thread: BSPP, BSPT, NPT

Orifice(mm): 15, 20, 25, 32, 40, 50

Voltage: DC-12V, 24V

AC-24V, 120V, 240V/60Hz; 110V, 220V/50Hz

Tolerance: ±10%

Coils: S91B, 22VA(AC),17W(DC), IP65, 100%ED

Material: Body- Brass or stainless steel

Seal- VITON PTFE NBR EPDM

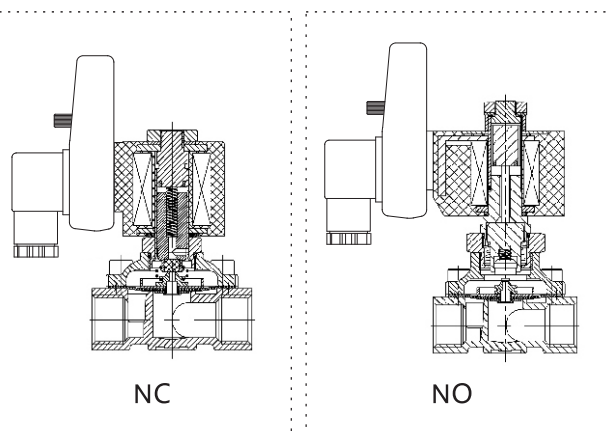
Armature Tube- Stainless Steel304 Plunger-

Stainless Steel 430F

Stop- SS 403F

Springs-SS 304

Shading Rings- Stainless Steel 304



Model	Picture	Voltage	Motor Power	Protection Class	Available For	Outline Size Drawing
S91B		1.AC220V 2.AC110V 3.AC24V 1.DC24V 2.DC12V 3.DC6V <i>The voltage can be customized</i>	22VA 17W	IP65	DN10 DN15 DN20 DN25	

Model	Specification	Model	Specification
Power Supply Ciltage	24~380V AC/DC~50HZ/60Hz for "CE"Marked Timer	The Largest Current Consumption	4mA Max
Electrical Connection	DIN43650A	Water Proof Grade	IP65-EN 60529
Shell Material	Flame Retardant Abs Plastic	Time Interval (OFF)	From 0.5 to 10s.
Ambient Temperature	-10°C~+50°C	Discharge Time (NO)	From 0.5 to 45min
Manual Test Button	Test	Indicator Lamp	Yellow LED

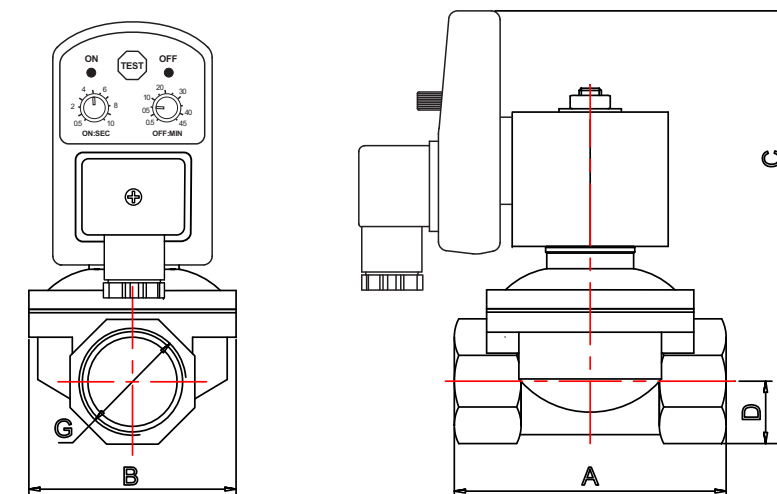
Determine Valve Body Code

Type	Orifice mm	Port size	Port thread	Body	Seal	Voltage
HK11-4	10,15,20, 25,32,40, 50	G - G/BSP N - NPT thread	B - Brass S - Stainless steel	N-NBR E-EPDM V-VITON	S91B SD01B	1.AC220V 2.DC24V 3.AC110V 4.DC12V 5.AC24V 6.DC6V

EXMAPLE: HK08 SERIES, NC, 25MM ORIFICE, 1"G, STAINLESS BODY, PET SEAL, COIL S21H, AC220V, DIN

Technical Parameters

Size	Port Size	Orifice mm	Cv	Min Pressure	Max Pressure		Operating Temperature		
					AC(22VA)	DC(17W)	NBR	EPDM	VITON
DN10	3/8"	10	4.5	0.0MPa	0.7MPa	0.7MPa	-5°C~80°C	-5°C~100°C	-5°C~120°C
DN15	1/2"	15	4.5	0.0MPa	0.7MPa	0.7MPa			
DN20	3/4"	20	9.3	0.0MPa	0.7MPa	0.7MPa			
DN25	1"	25	12	0.0MPa	0.7MPa	0.7MPa			
					AC(28VA)	DC(36W)			
DN32	1-1/4"	32	24	0.0MPa	1.0MPa	1.0MPa			
DN40	1-1/2"	40	29	0.0MPa	1.0MPa	1.0MPa			
DN50	2"	50	48	0.0MPa	1.0MPa	1.0MPa			



Size	G	A	B	C	D
DN10	3/8"	68	56	/	13.5
DN15	1/2"	66	56	/	13.5
DN20	3/4"	68	56	141	16.5
DN25	1"	97	76	/	20
DN32	1-1/4"	110	86	/	24
DN40	1-1/2"	114	93	/	28
DN50	2"	154	118	/	36