



Nominal diameter DN(mm)	DN15~DN250
Nominal pressure	ANSI 150Lb
Applicable medium	Water、Petroleum、Gas and so on
Suitable temperature	-20°C~+180°C (PTFE Sealing)
Leakage	meet the standard of ANSI B16.104
Rotary angle	90°
Body material	WCB,304,316
Seat materials	PTFE(Normal Temp.), Special PPL(High Temp.)、

Product description

L pattern three-way valve can achieve flow direction switched in the pipeline, also can make two perpendicular ports connected or turn off. T pattern three-way valve not only can achieve flow direction switched, but also three ports can also communicate with each other. Or turn off any one port so that the other two ports can be connected. Flexible control the pipeline flow direction of medium. Electric three-way valve is suitable for water supply, petrochemical industry, metallurgy, mining, textile, energy, paper making, food, steel piping system.

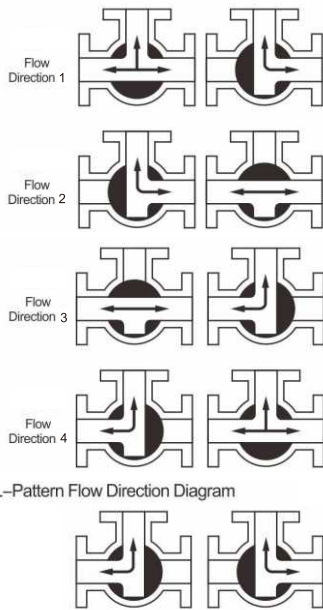
Features

1. Compact, open and close rapidly, running smooth .
2. Good seal performance: used PTFE for zero leakage.
3. Multi-function valve: any port can be used as an inlet without leakage, three port become to L-port, also become to T-port.
4. Easy maintenance: Without removing the entire body can be carried out inspection and maintenance.

Control method

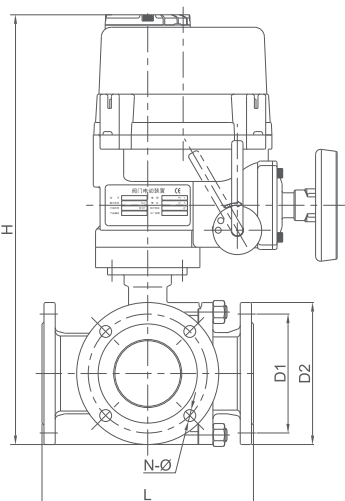
Electric three-way ball valve includes L-pattern and T-pattern. L-pattern electric three-way ball valve is suitable for flow direction switched, Perpendicular two channels can communicate with each other. T-pattern valve is suitable for distributary, interflow or flow direction switched.T-pattern channels can communicate with the three channels or two channels.

T-Pattern Flow Direction Diagram



Electric three-way ball valve flanged dimensions

SIZE		D1	D2	H	L	n-Ø
mm	inch	150LB				150LB
15	1/2"	60.3	90	280	108	4-14
20	3/4"	69.9	100	300	117	4-14
25	1"	79.4	110	311	127	4-14
32	1 1/4"	88.9	115	341	140	4-18
40	1 1/2"	98.4	125	377	165	4-18
50	2"	120.7	150	402	178	4-18
65	2 1/2"	139.7	180	448	190	4-18
80	3"	152.4	190	468	203	8-18
100	4"	190.5	230	517	229	8-18
125	5"	215.9	255	557	356	8-18
150	6"	241.3	280	661	394	8-23
200	8"	298.5	345	697	457	8-23



Note: Above table size is not with standard parts, there may be some changes in the data due to product innovation and improved technology, the specific details please consult salesman.