

## 精小型电动特点：

MINNIElectric Ball Valve Introduction

体积小、重量轻、  
Small size, light weight,

安装尺寸小  
Easy installation,

操作简单、敏捷  
simple operation, agile



## 主要零件材质表 Main Parts Materials

NO.	名称 Name		材质 material
1	执行器	Actuator	PPO AT20/AT100
2	阀体	Body Cover	STAINLESS STEEL 304
3	O型圈	O-Ring	EPDM
4	密封件	Sealing	PTFE
5	球体	Ball	STAINLESS STEEL 304
6	阀杆	Stem	STAINLESS STEEL 304
7	O型圈	O-Ring	EPDM

## 产品参数 Technical Parameters

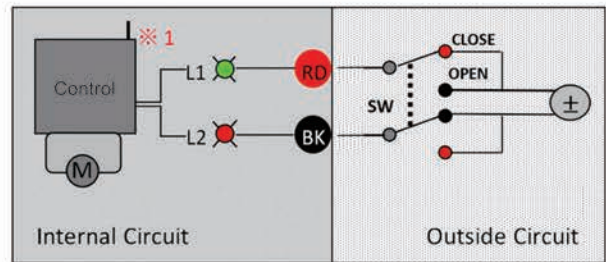
产品规格	Product Specifications	DN15, DN20, DN25 (Optional)
最大工作压力	Max. Working Pressure	1.0MPa
流通介质	Circulation Medium	Water, Air
额定电压	Rated Voltage	AC/DC 110-230V, DC9-24V (Optional)
静态电流	Working Current	≤500mA
开关的时间	Open/Close Time	≤5S
寿命	Life Time	70,000 Times
阀体材料	Valve Material	Brass, SS304, SS316 (Optional)
执行器材料	Actuator Material	Engineering Plastics
执行器扭矩	Torque Output	2.0N.M
环境温度	Ambient Temperature	-15°C-50°C
液体温度	Liquid Temperature	2°C-150°C
手动方式	Manual Override	NO
阀开关指示窗	Indicator	YES
线路控制方式	Line Control	CR2-01, CR2-02, CR3-01, CR3-02, CR3-03, CR4-01, CR5-01, CR5-02, CR7-01, CR7-02, CR7-03, CR7-04(Optional)
垫座	Gasket	PTFE
密封件	Sealing Material	FKM
防护等级	Protection Class	IP67

**X2D(DC two-wire one control)**

Wiring principle:

- 1、 DC power supply, including DC, 12, 24V and other voltage options
- 2、 The control line is red and black, DC: the red line is positive and the black line is negative.
- 3、 The SW and OPEN connected valves are opened, held in place, and the red indicator lights up.
- 4、 The SW and CLOSE connection valves close and remain in place while the green indicator lights up.

★ Optional Remote Control - Remote Control Valve Switch

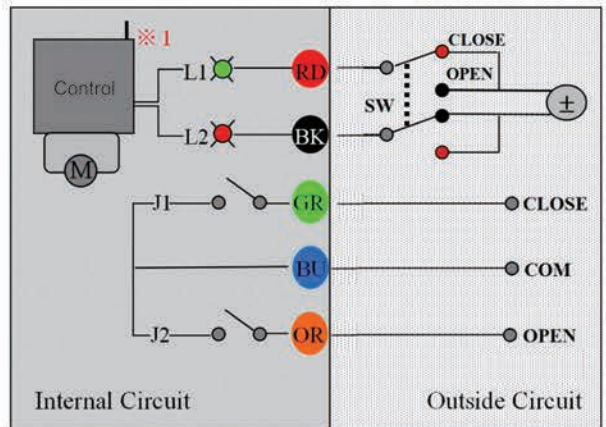


**X2DW(DC two-wire one control with signal feedback)**

Wiring principle:

- 1、 DC power supply, including DC6, 12, 18, 24V and other voltage options
- 2、 The control line is red, black, and DC: the red line is positive and the black line is negative.
- 3、 The SW and OPEN connected valves open and remain in place while the red indicator lights up and the actuator gives a passive feedback signal in place.
- 4、 The SW and CLOSE connection valves are closed, held in place and held, while the green indicator lights up and the actuator gives a passive feedback signal in place.

★ Optional Remote Control - Remote Control Valve Switch



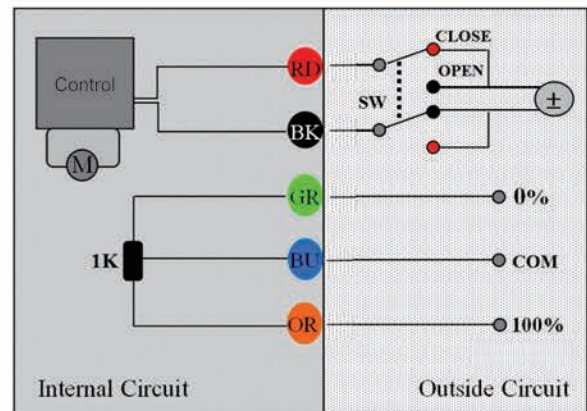
**X2K(opening signal output type)**

Wiring principle:

- 1、 working voltage DC 24 volts
- 2、 The control line is red and black, DC: the red line is positive and the black line is negative.
- 3、 through the positive and negative switching, to achieve valve opening and closing operations
- 4、 Simultaneously output the resistance signal corresponding to the valve opening and closing angle

Wiring precautions:

Please consult the voltage label on the top of the electric valve housing and the wiring mode label on the side of the housing before wiring. Confirm the working voltage and wiring method and then connect the power. If the undetected signage is connected to the electricity, it will easily cause the control panel and the safety hazard in life. Thank you for installing. !

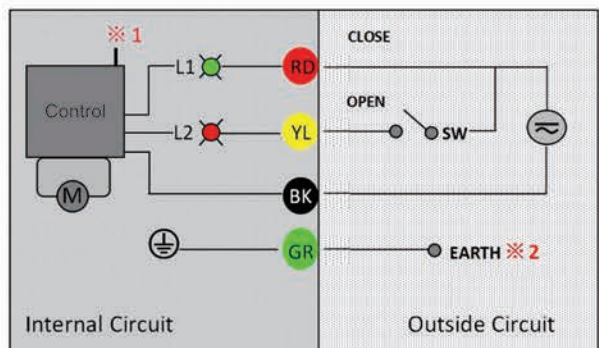


**X3A (AC and DC three-wire one control)**

Wiring principle:

- 1、 AC and DC universal power supply, including DC6, 12, 18, 24, 36V and AC6, 12, 18, 24V and AC110V, 220V and other voltages.
- 2、 The control lines are red, black and yellow. DC: The red line is positive and the black line is negative.
- 3、 The yellow line and the SW connected valve open, and remain in place after the position, while the red indicator lights up.
- 4、 The yellow line and the SW disconnect valve close, and remain in place while the green indicator lights up.

- ★ 1 Optional remote control - remote control valve switch (AC220V without)
- 2 External grounding wire for AC110, 220V or mining products
- ★ This line is called high frequency control when used in mining products.

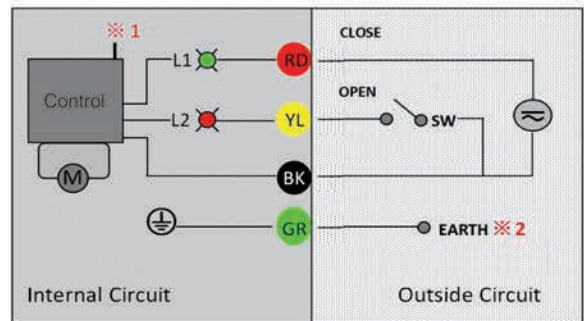


**X3AF(AC and DC negative three-wire one control)**

Wiring principle:

1. DC three-wire one-control negative control with feedback signal, including DC12,24V voltage optional
2. The control lines are red, black and yellow and green, blue and orange feedback signal output lines. DC: The red line is positive and the black line is negative.
3. The yellow line and the SW connected valve open, and remain in place, while the red indicator light is on and the actuator gives a passive feedback signal in place.
4. The yellow line and the SW disconnect valve close, and remain in place, while the green indicator lights up and the actuator gives a passive feedback signal in place.

- ★ Optional remote control - remote control valve switch (AC220V without) External grounding wire for mining products
- ★ This line is called low frequency control when used in mining products.

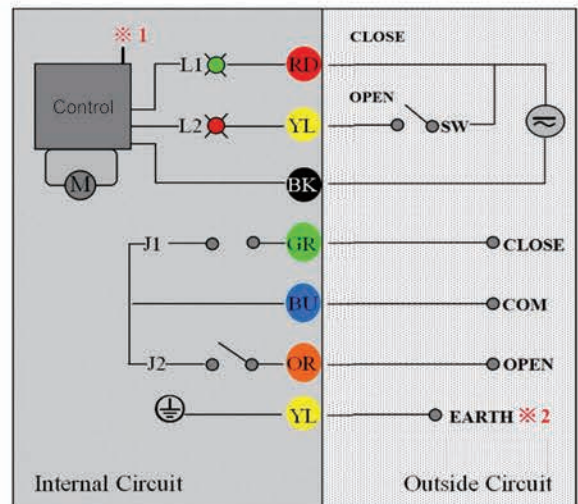


**X3AW ( AC and DC three-wire one control with signal feedback )**

Wiring principle:

1. AC/DC universal with signal feedback, including DC12,24 and Ac12, 24V and AC110V, 220V and other voltages Optional.
2. The control lines are red, black and yellow, and the green, blue and orange are the feedback signal output lines. DC: The red line is positive and the black line is negative.
3. The yellow line and the SW connected valve open, and remain in place, while the red indicator light is on and the actuator gives a passive feedback signal in place.
4. The yellow line and the SW disconnect valve close, and remain in place after the position is reached, and the green indicator lights up to give the passive feedback signal in place.

- ★ Optional remote control - remote control valve switch (AC220V without)

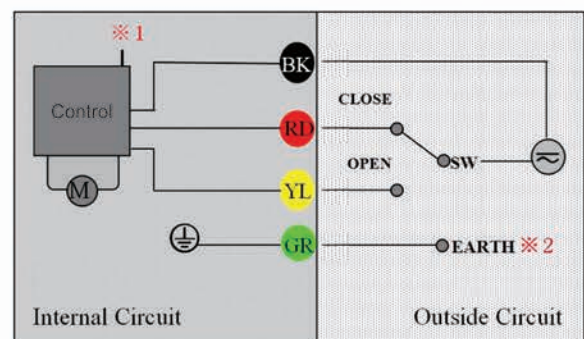


**X3B(AC and DC three line two control)**

Wiring principle:

1. AC and DC universal power supply, including DC12,24 and AC12,24V and AC110V, 220V and other voltage options
2. The control lines are red, black and yellow. DC: The red line is positive and the black line is negative.
3. When the SW is connected to the red line, the valve is closed and the green indicator lights up.
4. When the SW is connected to the yellow line, the valve is open and the red indicator lights up.

- ★ Optional remote control - remote control valve switch (AC220V without)
- ★ External grounding wire for voltage AC110, 220V

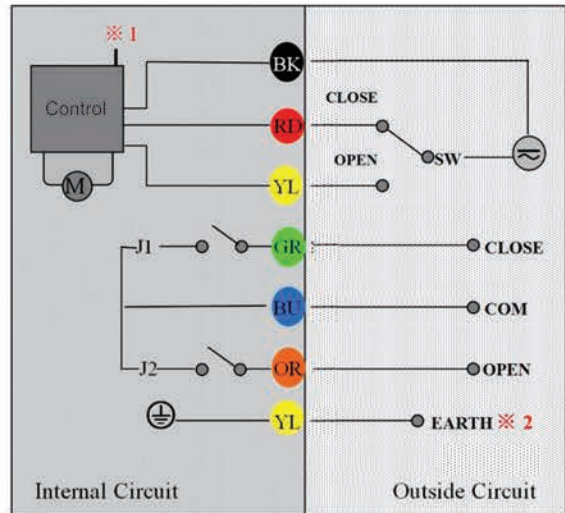


**X3BW(AC and DC three-wire two control with signal feedback**

Wiring principle:

- 1、 AC power supply, including DC12,24 and AC12,24V and AC110V, 220V and other voltages are available.
- 2、 The control lines are red, black and yellow, and the green, blue and orange are the feedback signal output lines. DC: The red line is positive and the black line is negative.
- 3、 The black line is the power sharing line. When the red line is connected to the power supply, the valve is closed. At the same time, the green indicator lights up and the actuator gives the passive feedback signal.
- 4、 The red line is disconnected. When the yellow line is connected to the power supply, the valve is turned on and held at the same time. At the same time, the red indicator light is on and the actuator gives the passive feedback signal in place.

- ★ Optional remote control - remote control valve switch (AC220V without)
- ★ External grounding wire for voltage AC110, 220V

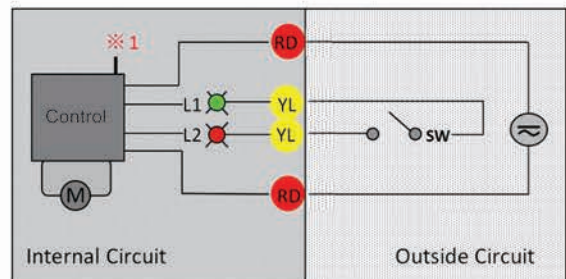


**X4 ( AC and DC four-wire one control )**

Wiring principle:

- 1、 AC and DC universal type, including DC12,24 and AC12, 24 and AC110V, 220, 380V, etc. Pressure optional.
- 2、 there are four lines, two red and yellow when communicating, red line, black line and two yellow lines, red line connected positive, black line connected negative.
- 3、 The two yellow wire connected valves are opened, and are held after being in position, and the red indicator light is on.
- 4、 The two yellow wires are disconnected from the valve. When they are in place, they are kept and the green indicator lights up.

- ★ Optional Remote Control - Remote Control Valve Switch

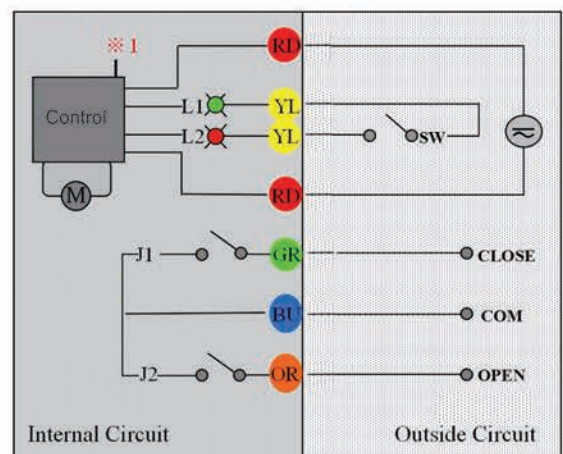


**X4W (AC and DC four-wire control with signal feedback)**

Wiring principle:

- 1、 AC and DC universal type, including DC12, 24V and AC12, 24 and AC110V, 220, 380V and other voltages are available.
- 2、 there are four lines, two red and yellow when communicating, red line, black line and two yellow lines, red line connected positive, black line connected negative.
- 3、 The two yellow wire connected valves are opened, and are held after being in position. At the same time, the red indicator light is on and the actuator gives a passive feedback signal in place.
- 4、 The two yellow wires are disconnected from the valve and held in place, while the green indicator lights up and the actuator gives a passive feedback signal in place.

- ★ Optional Remote Control - Remote Control Valve Switch



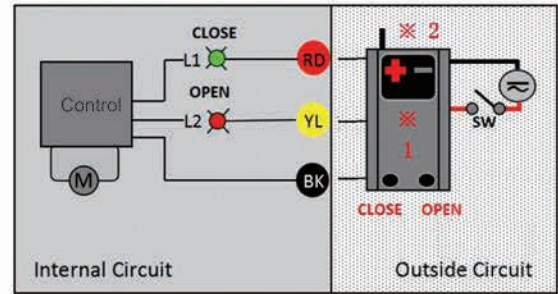
**XDCF ( power-off automatic reset )**

Wiring principle□

1. AC/DC universal type, including 12, 24V and AC12, 24V and AC110V, 220, 380V and other voltages.
2. two-wire control, power-on, power-off, DC: red line is positive, black line is negative.
3. The valve indicator light is green and the valve opening indicator is red.

- ★ 1 is an external device (built-in battery) to realize power-off reset function
- 2 Optional remote control - remote control valve switch (when disconnected total power)

★ The standby time is one month at the source, the remote control function can be used to switch the valve 5 times or more times can be selected)



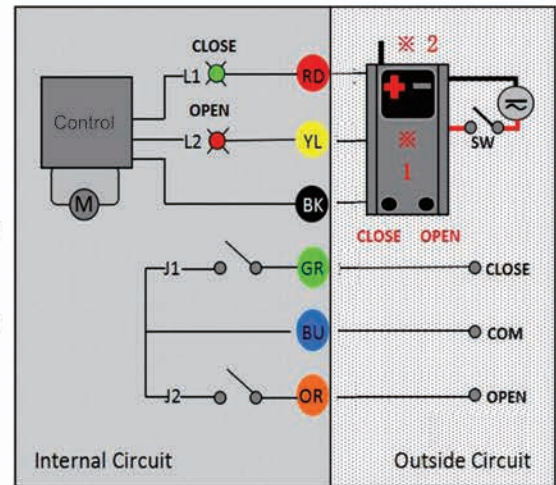
**XDCFW□power-off automatic reset with feedback signal )**

Wiring principle:

1. AC/DC universal type, including 12, 24V and AC12, 24V and AC110V, 220V, 380V and other voltages.
2. two-wire control, power-on, power-off, DC: red line is positive, black line is negative.
3. When the valve is closed, the green indicator lights up and the actuator gives the passive feedback signal in place. When the valve is opened, the red indicator lights up and the actuator gives the passive feedback signal in place.

- ★ 1 backup power supply unit (built-in battery) to realize power-off reset function
- 2 Optional remote control - remote control valve switch (when disconnected total power)

★ The standby time is one month at the source, the remote control function can be used to switch the valve 5 times or more times can be selected)



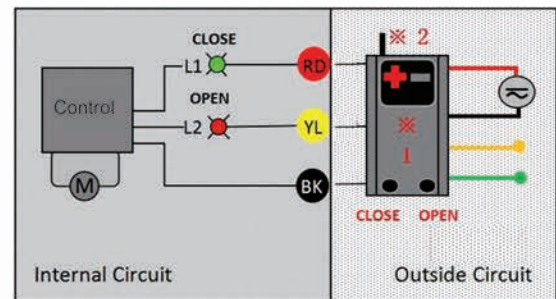
**XU(X2、3、4)(emergency cut-off function)**

Wiring principle:

1. AC/DC universal type, including 12, 24V and AC12, 24V and AC110V, 220V, 380V and other voltages.
2. control mode can choose: 2 lines, 3 lines, 4 lines of all functions
3. After selecting the normal control mode, the power is suddenly turned off during the operation, and the valve is urgently closed by the backup power supply, so that the medium in the pipeline is safely processed.

- ★ 1 backup power supply unit (built-in battery) to achieve emergency cut-off reset function, each device can achieve a drag and drop
- 2 Optional remote control - remote control valve switch (when disconnected total power)

★ The standby time is one month at the source, the remote control function can be used to switch the valve 5 times or more times can be selected)



**XUW(X2□3、4)(emergency cut-off function with feedback)**

Wiring principle:

1. AC/DC universal type, including 12, 24V and AC12, 24V and AC110V, 220V, 380V and other voltages.
2. control mode can choose: 2 lines, 3 lines, 4 lines of all functions
3. After selecting the normal control mode, the power is suddenly turned off during the operation, and the valve is urgently closed by the backup power supply, so that the medium in the pipeline is safely processed.
4. with switch in-position feedback signal output function

- ★ 1 backup power supply unit (built-in battery) to achieve emergency cut-off reset function, each device can achieve a drag and drop
- 2 Optional remote control - remote control valve switch (when disconnected total power)

★ The standby time is one month at the source, the remote control function can be used to switch the valve 5 times or more times can be selected)

