

FRPP、PVDF、CPVC、UPVC、PPH

产品结构特点 Main structural features

① 良好的外部密封性能

依靠三维CAD/CAE分析，隔膜阀配上合适深度的阀体和合适深度的螺钉。此外，使用具有高弹性的橡胶，阀门的密封性能得到提高。

② 易于操作

为了减轻摩擦力，已更新材料和滑动部件的形状。同时适当的阀座形状改善操作程序。

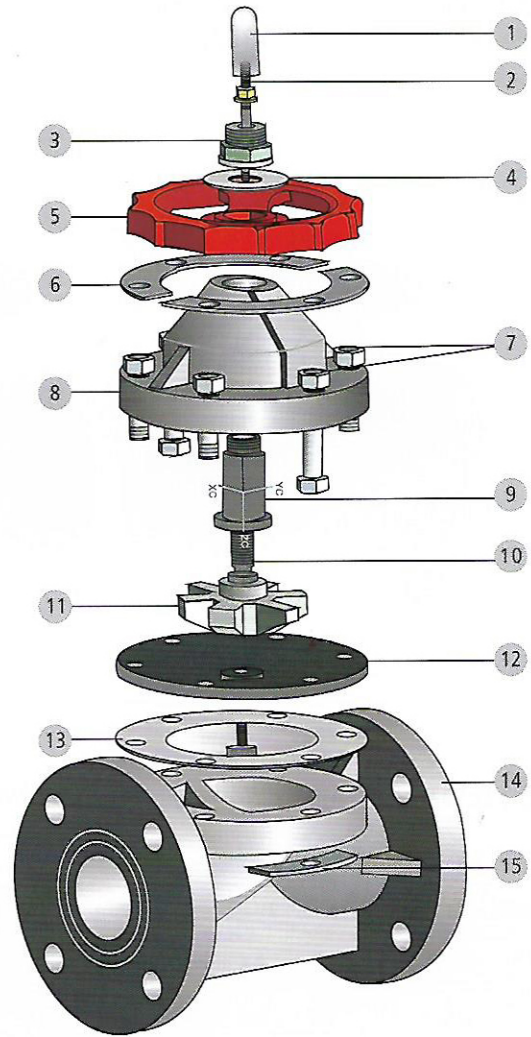
① Good sealing performance rely on the external three-dimensional CAD / CAE analysis of the valve body with an appropriate and suitable Baidu screw depth. In addition, the use of a high elasticity of rubber, the valve sealing performance is improved.

② Easily the second operation in order to reduce friction, has been updated materials and the shape of the sliding parts. At the same time, the appropriate operating procedures to improve the shape of Flash Block.

应用温度范围表

App temperature bound list

材料 Material	增强聚丙烯 (RPP)	聚氯乙烯 (UPVC)
介质温度℃ Medium temperature	-14℃ ~ +90℃	-10℃ ~ +70℃
材料 Material	聚偏二氯乙烯 (PVDF)	氯化聚氯乙烯 (CPVC)
介质温度℃ Medium temperature	-40℃ ~ +140℃	-20℃ ~ +95℃



隔膜阀装配明细图  
Diaphragm valve detailed assembly plans

零件材质表 Part material list

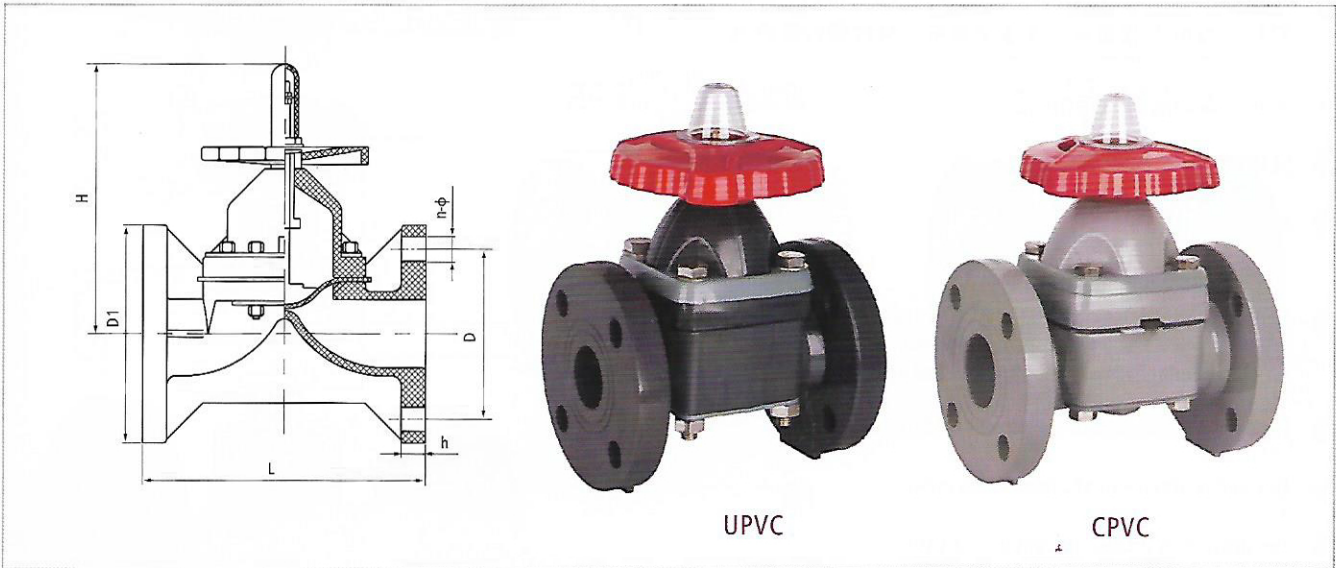
件号No.	名称 Name	材质 Material	件号No.	名称 Name	材质 Material
1	限位罩 Cover limit	AS	9	阀杆螺母 Yoke Nut	钢、铜 Ht300 Steel
2	螺柱 Stud	钢、不锈钢 Steel, Stainless Steel	10	阀杆 Stem	钢、不锈钢 Steel, Stainless Steel
3	压紧螺母 Retaining Nut	FRPP	11	阀瓣 Disc	铸铁、FRPP、PVDF、UPVC、CPVC、PPH、Steel, Stainless C.I.FRP
4	垫圈 Washer	FRPP	12	垫膜 Flim	EPDM.FPM
5	手轮 Wheel	合金料 Alloy material	13	膜片 Diaphragm	F46.PFA
6	上压板 Platen	钢、不锈钢 Steel, Stainless Steel	14	阀体 Body	FRPP.PVDF. UPVC.CPVC.PPH
7	双头螺柱及螺母 Double headed stud and Nut	钢、不锈钢 Steel, Stainless Steel	15	下压板 Platen	钢、不锈钢 Steel, Stainless Steel
8	阀盖 Bonnet	FRPP.PVDF. UPVC.CPVC.PPH			

隔膜阀

Diaphragm valve

执行标准: GB/T2643-2010

FRPP、PVDF、CPVC、UPVC、PPH、G41F-6F/V  
10F/V



外形尺寸表 Dimension List

公称直径 DN(mm)	D1	D				L				h	H	n				Φ			
		D	JIS	DIN	ANSI	L	JIS	DIN	ANSI			n	JIS	DIN	ANSI	Φ	JIS	DIN	ANSI
15(1/2")	95	65	70	65	2.38	125	110	130	4.33	14	125	4	4	4	4	14	15	14	0.63
20(3/4")	105	75	75	75	2.76	135	120	150	4.72	16	130	4	4	4	4	14	15	14	0.63
25(1")	115	85	90	85	3.13	145	130	160	5.12	16	145	4	4	4	4	14	19	14	0.63
32(1-1/4")	135	100	100	100	3.45	160				18	170	4	4	4	4	18	19	18	0.63
40(1-1/2")	145	110	105	110	3.88	180	180	200	7.09	18	190	4	4	4	4	18	19	18	0.63
50(2")	160	125	120	125	4.74	210	210	230	8.27	21	215	4	4	4	4	18	19	18	0.75
65(2-1/2")	180	145	140	145	5.49	250	250	290	9.84	22	280	4	4	4	4	18	19	18	0.75
80(3")	195	160	150	160	6	300	280	310	11.02	25	300	8	8	8	8	18	19	18	0.75
100(4")	215	180	175	180	7.5	350	340	350	13.39	25	340	8	8	8	8	18	19	18	0.75
125(5")	245	210	210	210	8.5	400	410	400	16.14	30	420	8	8	8	8	18	23	18	0.87
150(6")	280	240	240	240	9.51	455	480	480	18.9	30	480	8	8	8	8	23	23	23	0.87
200(8")	335	295	290	295	11.75	570	570	600	22.44	35	625	8	12	8	8	23	23	23	0.87
250(10")	390	350	355	350	14.03	680	680	680	26.77	38	776	12	12	12	12	23	25	23	0.97
300(12")	445	400	400	400	16.7	680				38	776	12	16	12	12	23	25	23	0.97

RPP PVDF UPVC CPVC PPH 隔膜阀  
(产品执行标准HG/T2643-2010)

FRPP、PVDF、CPVC、UPVC、PPH、G41F-65/105

Diaphragm valve



工作压力和工作温度表 Working pressure and working temperature list product administer standard

MPa ℃ 口径Caliber	RPP			PVDF			UPVC			CPVC			重量≈kg/台 Weigh			
	14~40	41~60	61~100	40~60	61~90	90~140	20~40	41~60	61~80	0~40	41~60	61~90	RPP	PVDF	UPVC	CPVC
15(1/2")	0.8	0.8	0.7	1	0.9	0.7	0.8	0.8	0.7	0.7	0.7	0.6	0.8	1.0	0.8	1
20(3/4")	0.8	0.8	0.7	1	0.9	0.7	0.8	0.8	0.7	0.7	0.7	0.6	0.9	1.6	0.9	1.3
25(1")	0.8	0.8	0.7	1	0.9	0.7	0.8	0.8	0.7	0.7	0.7	0.6	1.0	1.8	1.0	1.5
32(1 1/4")	0.7	0.7	0.6	1	0.9	0.7	0.7	0.7	0.6	0.7	0.7	0.6	1.3	2	1.9	2
40(1 1/2")	0.7	0.7	0.6	0.8	0.7	0.5	0.7	0.7	0.6	0.7	0.7	0.5	1.8	3	2.6	2.5
50(2")	0.7	0.7	0.6	0.8	0.6	0.5	0.7	0.7	0.6	0.7	0.7	0.5	2.5	3.9	3.7	3.9
65(2 1/2")	0.7	0.7	0.6	0.8	0.5	0.4	0.7	0.7	0.6	0.7	0.7	0.5	5	6.5	6	6.5
80(3")	0.7	0.7	0.6	0.7	0.5	0.4	0.7	0.7	0.6	0.7	0.7	0.5	6.1	8.9	6.8	7.5
100(4")	0.7	0.7	0.6	0.6	0.5	0.4	0.7	0.7	0.6	0.7	0.6	0.5	9.7	14	12.6	13.6
125(5")	0.5	0.5	0.4	0.5	0.4	0.3	0.5	0.5	0.4	0.5	0.5	0.4	13.5	18	15.6	17.6
150(6")	0.5	0.5	0.4	0.5	0.3	0.2	0.5	0.5	0.4	0.5	0.4	0.3	25	34	25.5	31
200(8")	0.3	0.3	0.2	0.4	0.25	0.2	0.3	0.3	0.2	0.3	0.3	0.25	37.5	54	44	49.5
250(10")	0.3	0.3	0.2	0.4	0.25	0.2	0.3	0.3	0.2	0.3	0.3	0.2	69.5	96	80	88